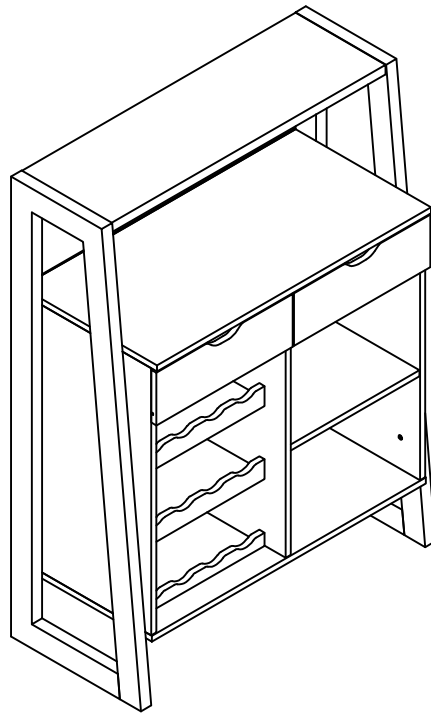


# ASSEMBLY INSTRUCTION

---

ITEM#: 182282



# ASSEMBLY INSTRUCTION

---

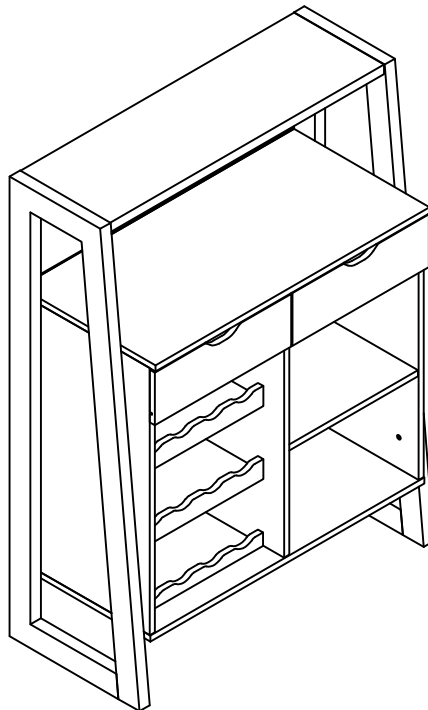
## PLEASE READ BEFORE ASSEMBLING!

Tip #1: Make sure you've taken all the pieces and hardware out of its packaging before discarding the box.

Tip #2: Using page 2 and/or page 3 of instruction manual make sure all pieces and hardware are accounted for.

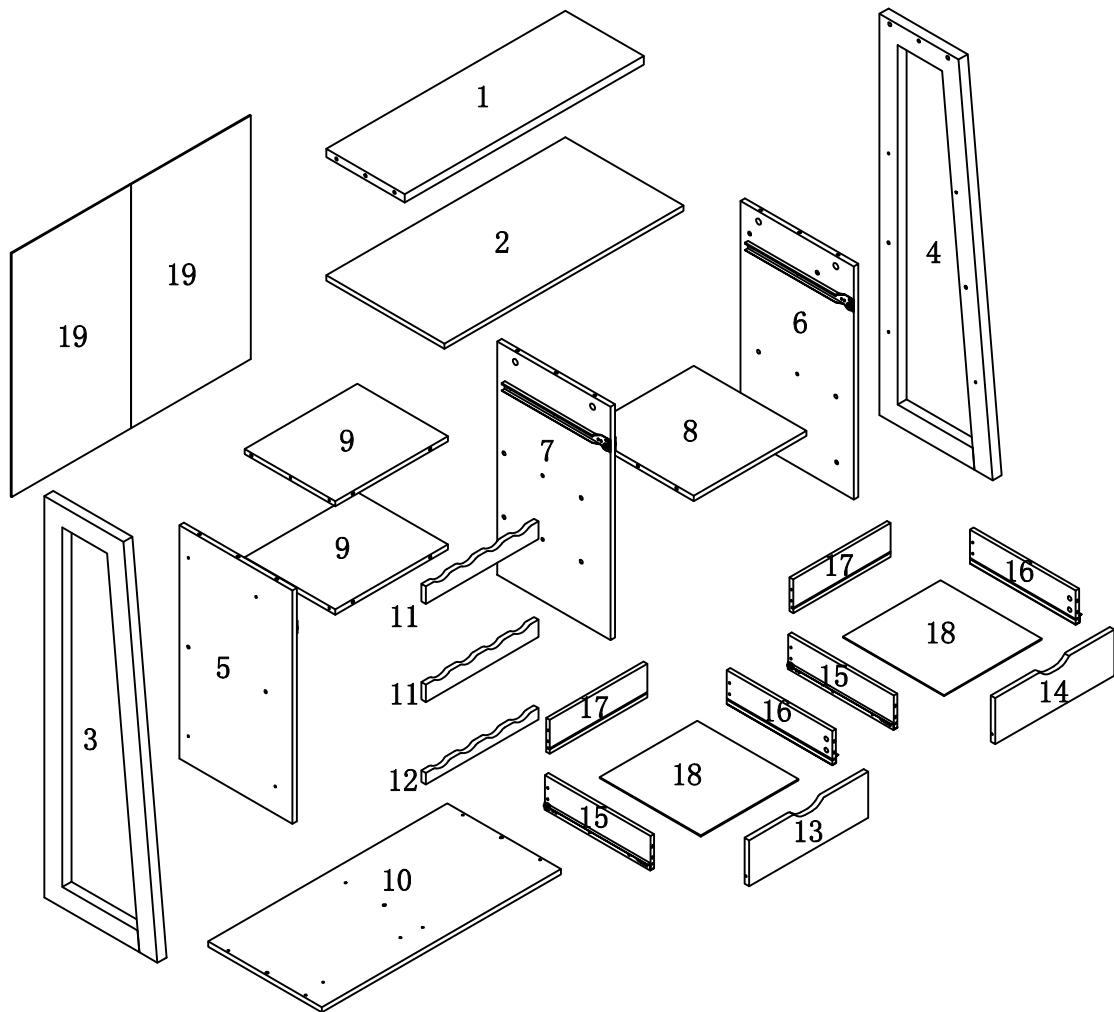
Tip #3: Read manual before assembling, it helps!

ITEM#: 182282



# PARTS IDENTIFICATION




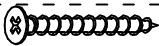
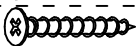


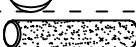

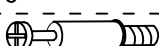

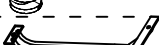



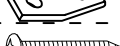
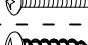
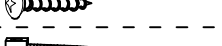


ITEM#: 182282



(1)	1pc	(8)	1pc	(15)	2pcs
(2)	1pc	(9)	2pcs	(16)	2pcs
(3)	1pc	(10)	1pc	(17)	2pcs
(4)	1pc	(11)	2pcs	(18)	2pcs
(5)	1pc	(12)	1pc	(19)	2pcs
(6)	1pc	(13)	1pc		
(7)	1pc	(14)	1pc		

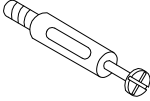
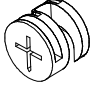
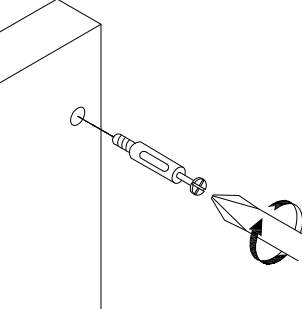
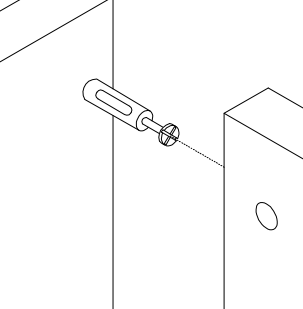
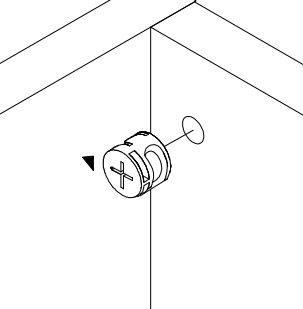
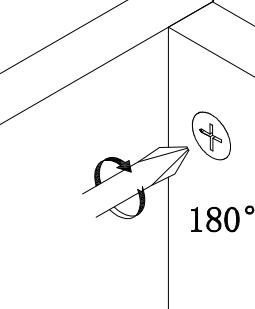
# HARDWARE IDENTIFICATION

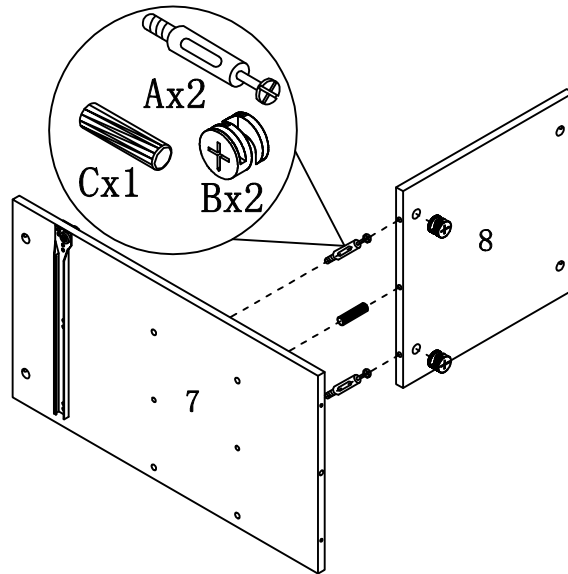
ITEM#: 182282

A		L29	26pcs
B		φ 15	26pcs
C		φ 8 x 25	18pcs
D		∅4 x 35	6pcs
E		∅4 x 30	10pcs
F		φ 22	4pcs
G		φ 16	4pcs
H		φ 8 x 40	9pcs
I			30pcs
J		L20	8pcs
K		φ 12	8pcs
L		L=250	3pcs
M		∅4 x 16	9pcs
N		∅8x40	1pc
O		∅12x12x1	2pcs
P		∅5x40	1pc
Q		∅4x25	1pc
R		197×5×1	1pc
S		M6 x 25	8pcs
T		Glue: For securing please apply to wood dowel first before inserting into panel	1pc

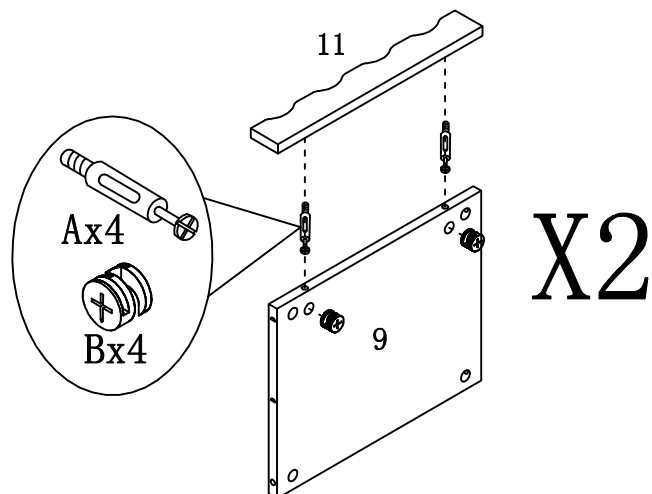
# ASSEMBLY INSTRUCTION

ITEM#: 182282

HOW TO	1	2	3	4
 Cam Bolt  Cam Lock				
	1. Screw Cam Bolt into panel.	2. Insert Cam Bolt into bolt hole of joining panel.	3. Insert Cam Lock. arrow facing bolt.	4. Gently turn Cam Lock clockwise to lock position.

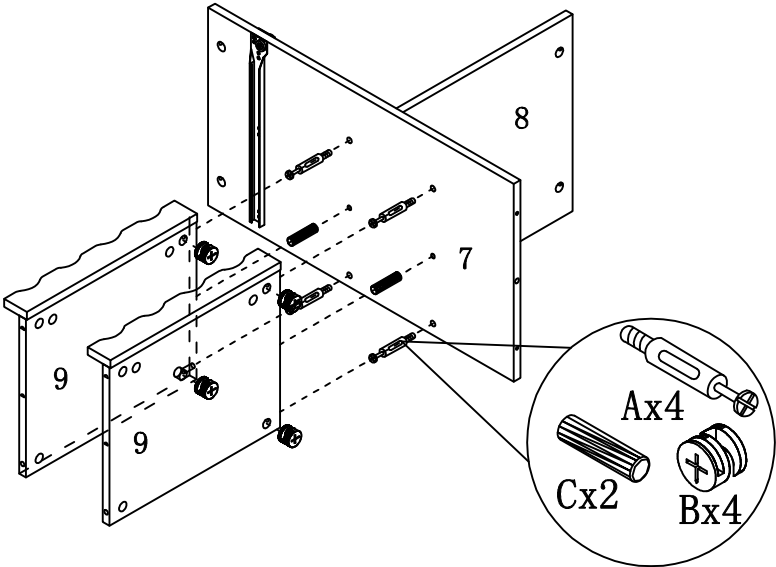


## STEP 2



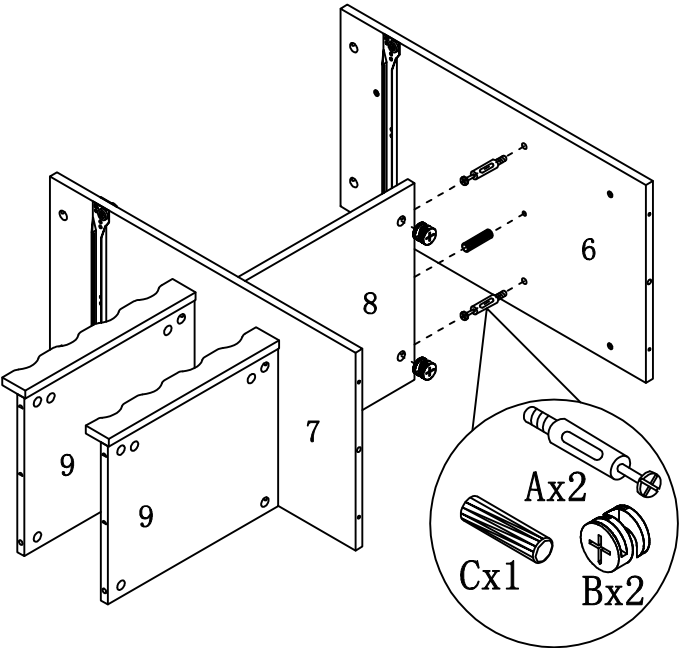
# ASSEMBLY INSTRUCTION

ITEM#: 182282



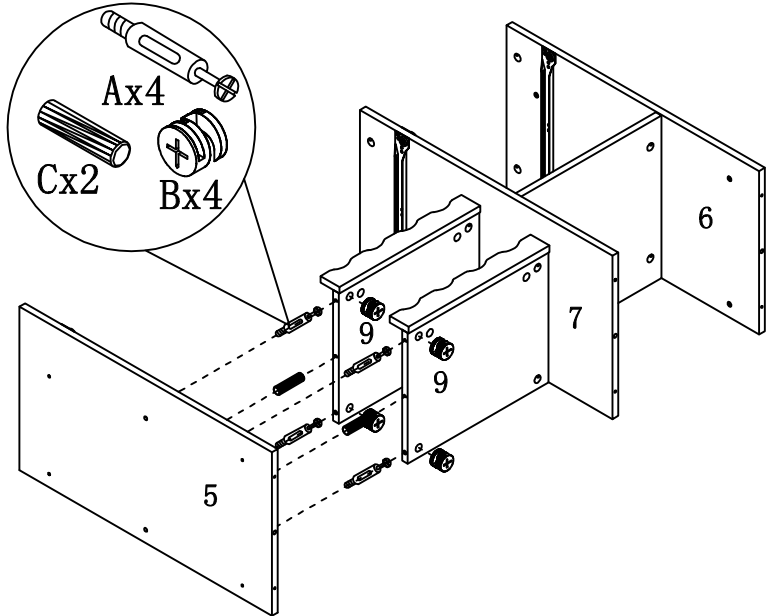
STEP3

STEP4



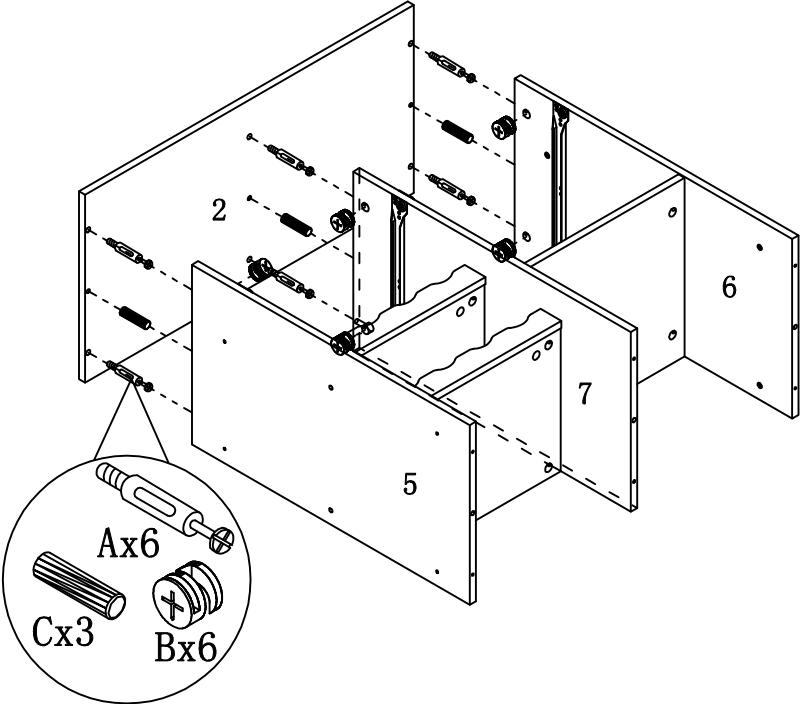
# ASSEMBLY INSTRUCTION

ITEM#: 182282



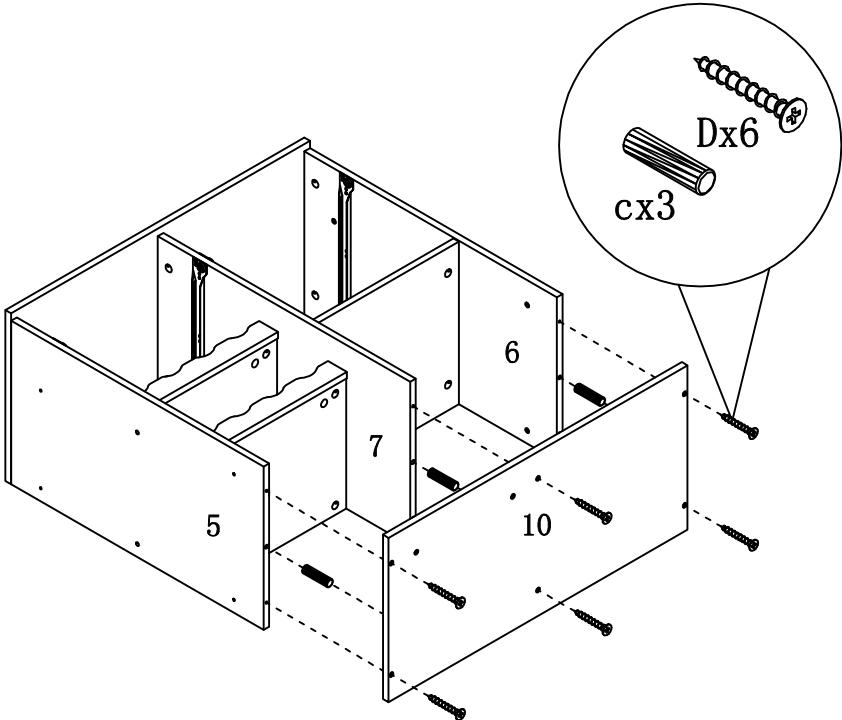
STEP5

STEP6



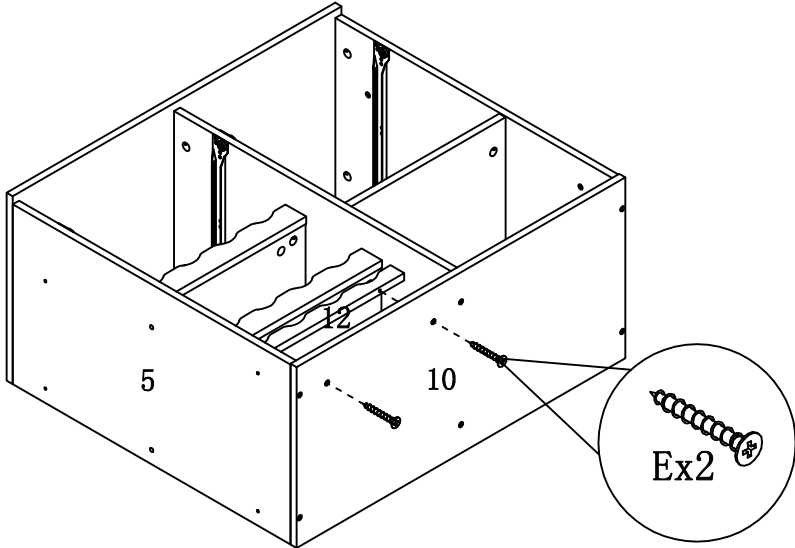
# ASSEMBLY INSTRUCTION

ITEM#: 182282



STEP7

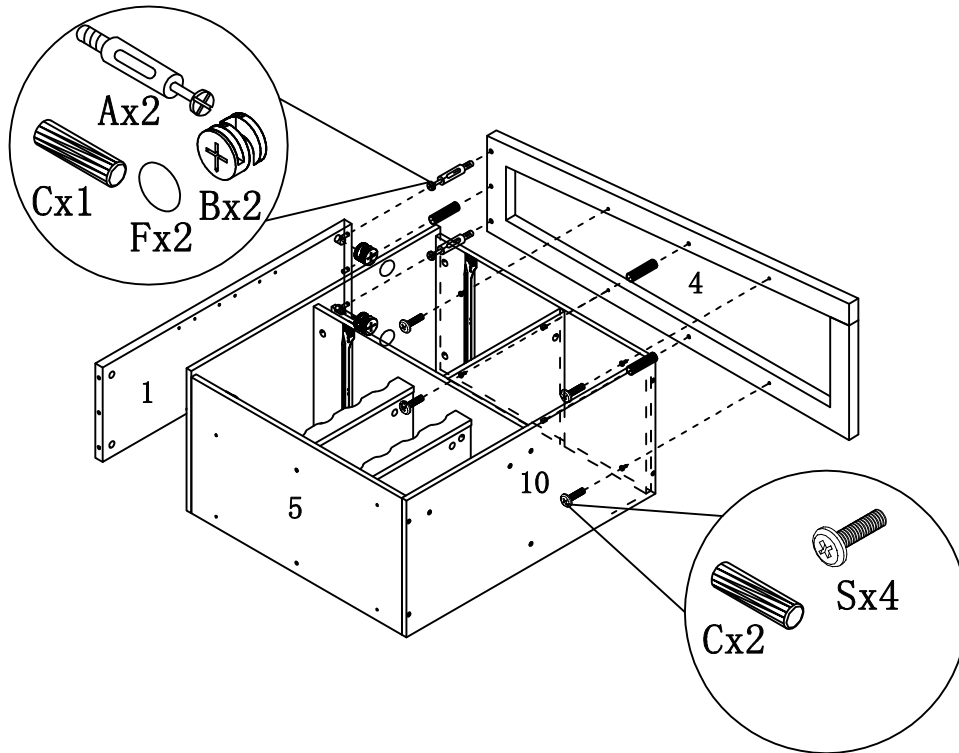
STEP8





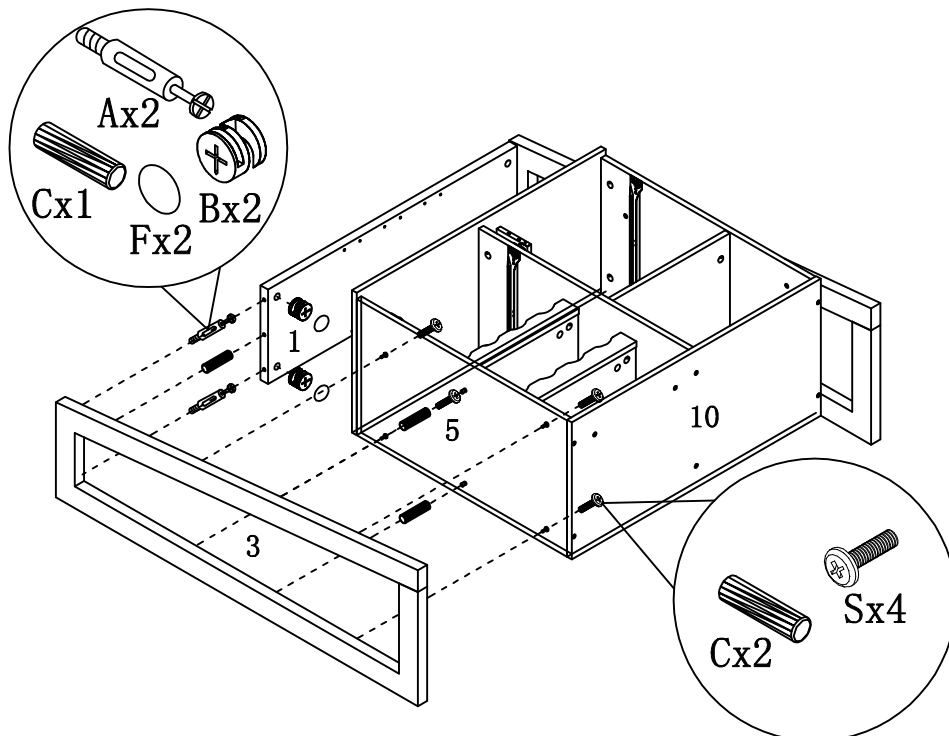
# ASSEMBLY INSTRUCTION

ITEM#: 182282



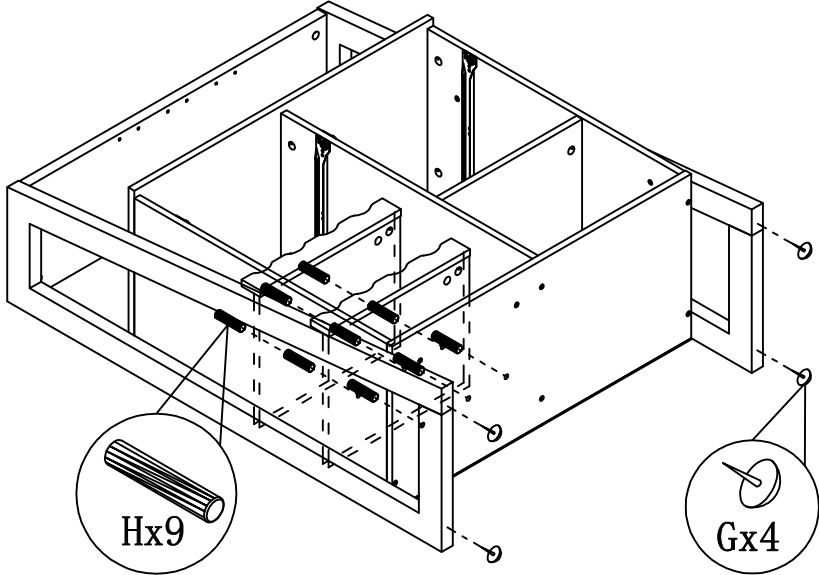
STEP9

STEP10



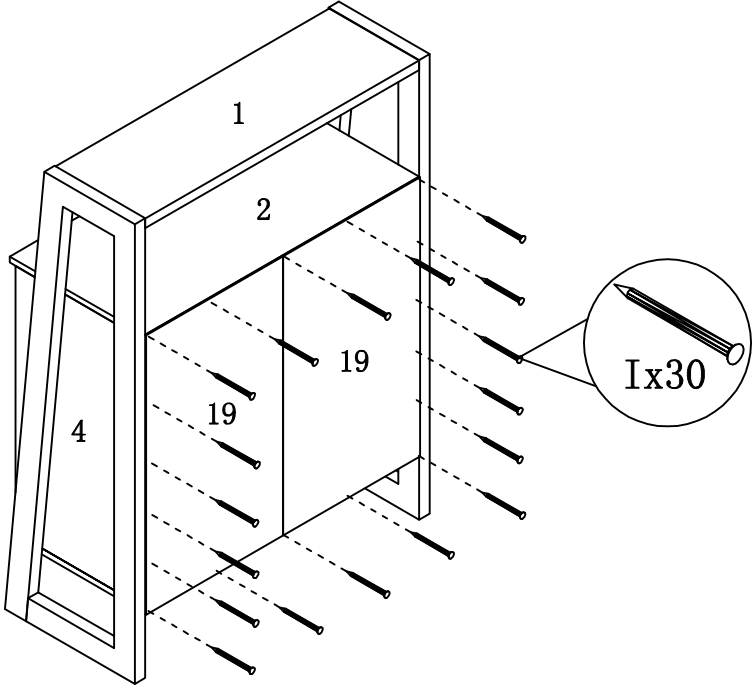
# ASSEMBLY INSTRUCTION

ITEM#: 182282



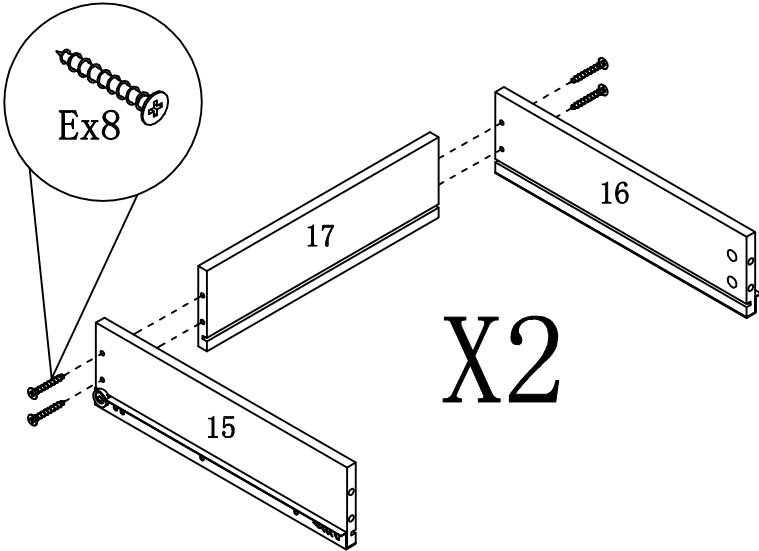
STEP11

STEP12



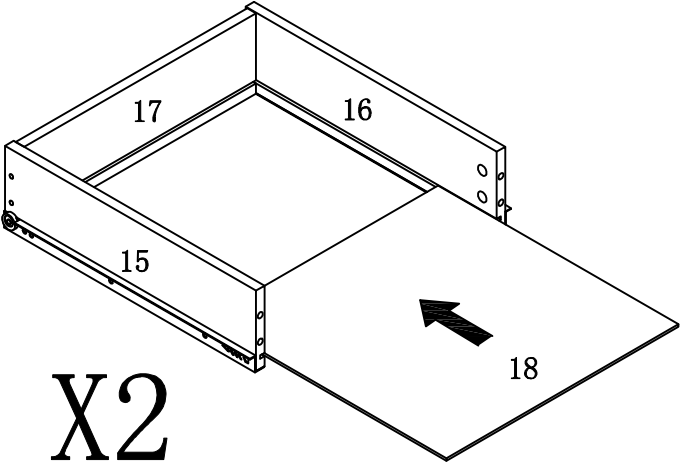
# ASSEMBLY INSTRUCTION

ITEM#: 182282



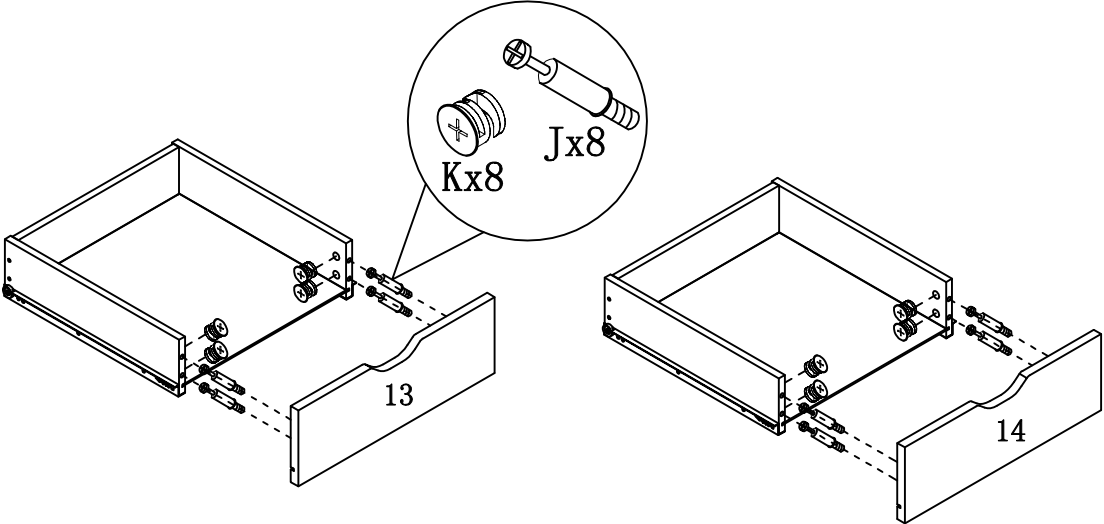
STEP 13

STEP 14



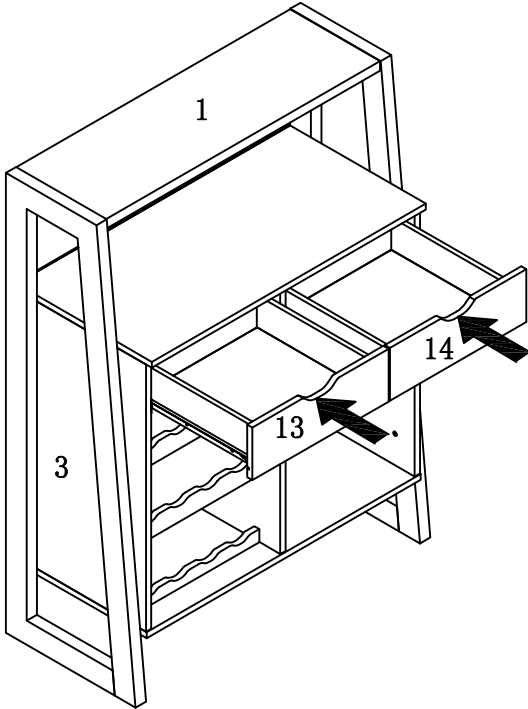
# ASSEMBLY INSTRUCTION

ITEM#: 182282



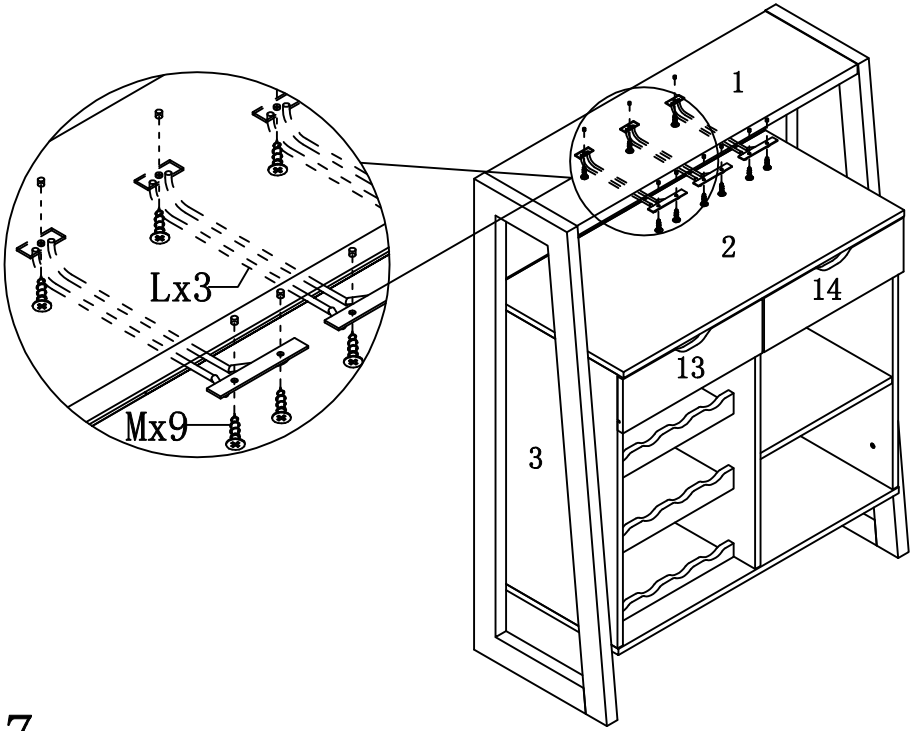
STEP 15

STEP 16



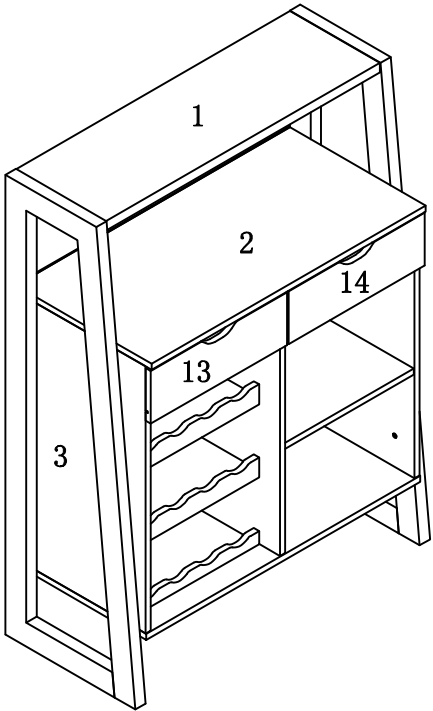
# ASSEMBLY INSTRUCTION

ITEM#: 182282



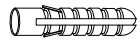
STEP 17

STEP 18

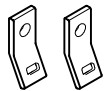


# ANTI-TIPPING STRAP INSTRUCTION

## HARDWARE (INCLUDED) :



DRYWALL ANCHOR  $\phi 8 \times 40$  X 1PC



METAL BRACKETS  $12 \times 12 \times 1$  X 2PCS



DRYWALL SCREW  $\phi 5 \times 40$  X 1PC

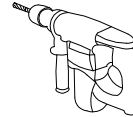


STRAP  $197 \times 5 \times 1$  X 1PC



FLATHEAD SCREW  $\phi 4 \times 25$  X 1PC

## TOOLS NEEDED ( NOT INCLUDED) :



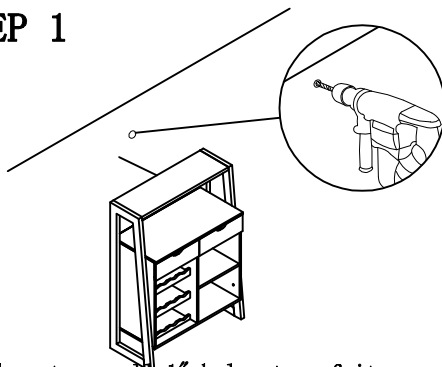
DRILL & DRILL BIT



LIGHT HAMMER

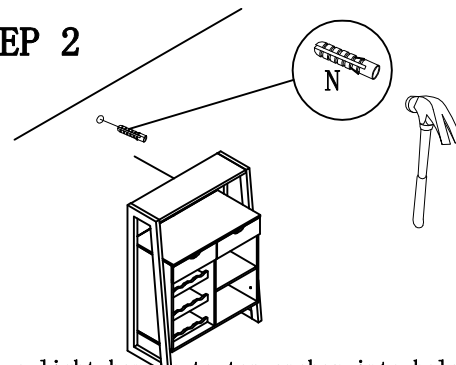
Note: Hardware included only compatible with standard drywalls.

### STEP 1



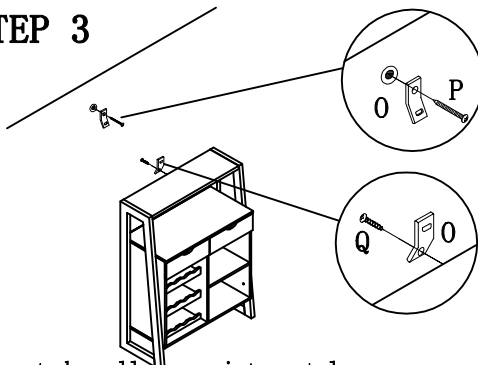
1. Find spot on wall 1" below top of item.
2. Using a drill bit slightly thinner than anchor, drill hole into drywall.

### STEP 2



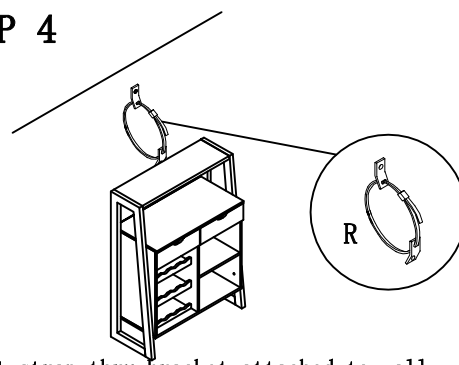
1. Use a light hammer to tap anchor into hole.
2. Anchor should fit snugly. If hole is too small, drill again to increase hole size. Do not force anchor into wall.

### STEP 3



1. Insert drywall screw into metal bracket and into drywall anchor.
2. Insert flathead screw into second metal bracket and into back of item along top edge.

### STEP 4



1. Insert strap thru bracket attached to wall, then thru bracket on item, and into head of strap.
  2. pull lightly til strap stops.
- Assembly is complete.