

ASSEMBLY INSTRUCTION

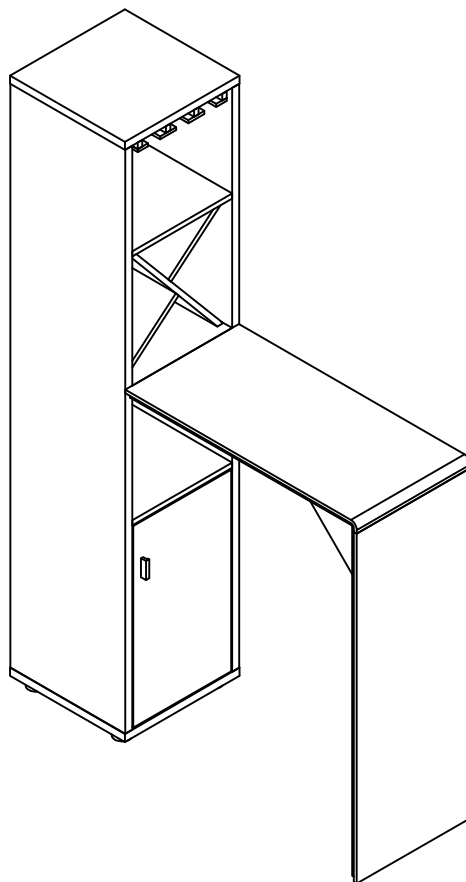
PLEASE READ BEFORE ASSEMBLING!

Tip #1: Make sure you've taken all the pieces and hardware out of its packaging before discarding the box.

Tip #2: Using page 2 and/or page 3 of instruction manual make sure all pieces and hardware are accounted for.

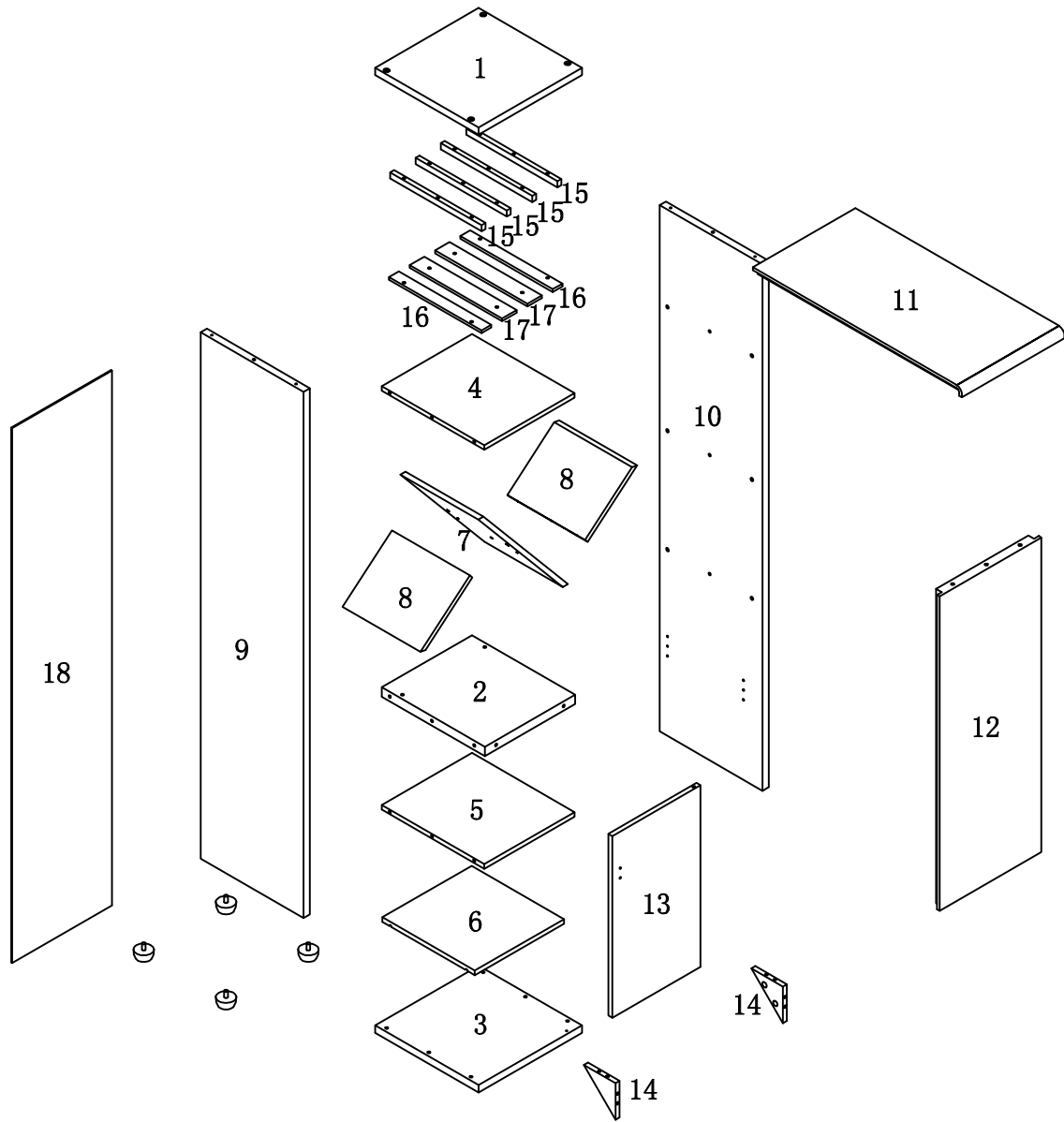
Tip #3: Read manual before assembling, it helps!

ITEM#: 172170



PARTS IDENTIFICATION




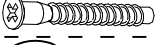


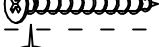

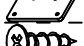




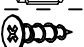
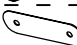
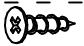









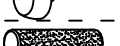

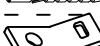

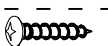

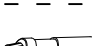


ITEM#: 172170



(1)	1pc	(8)	2pcs	(15)	4pcs
(2)	1pc	(9)	1pc	(16)	2pcs
(3)	1pc	(10)	1pc	(17)	2pcs
(4)	1pc	(11)	1pc	(18)	1pc
(5)	1pc	(12)	1pc		
(6)	1pc	(13)	1pc		
(7)	1pc	(14)	2pcs		

HARDWARE IDENTIFICATION

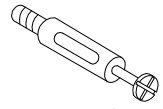
ITEM#: 172170

A		L29	16pcs
B		ϕ 15	16pcs
C		ϕ 22	28pcs
D		M7 x 48	8pcs
E		ϕ 8 x ϕ 16x2	10pcs
F		ϕ 8 x 25	23pcs
G		ϕ 4 x 35	4pcs
H		ϕ 16	2pcs
I		70 x 50x2	2pcs
J		ϕ 4 x 16	12pcs
K			45pcs
L		M6 x 35	8pcs
M		ϕ 5 x 15	4pcs
N			1pc
O		ϕ 3 x 16	2pcs
P			1pc
Q		ϕ 3 x 14	2pcs
R			1pc
S		32#	1pc
T		ϕ 4 x 22	2pcs
U		ϕ 13	4pcs
V		ϕ 45	2pcs
W		M8x70	2pcs
X		M8	2pcs
Y		M8	2pcs
Z		M13	1pc
A1		ϕ 55 x 25	4pcs
B1		ϕ 8 x 25	4pcs
C1		ϕ 8x40	1pc
D1		ϕ 12x12x1	2pcs
E1		ϕ 5x40	1pc
F1		ϕ 4x25	1pc
G1		197x5x1	1pc
H1		Glue: For securing please apply to wood dowel first before inserting into panel	1pc

ASSEMBLY INSTRUCTION

ITEM#: 172170

HOW TO

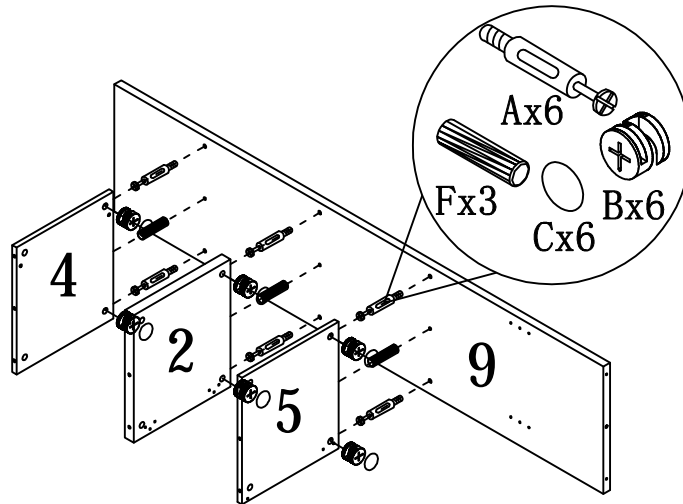


Cam Bolt



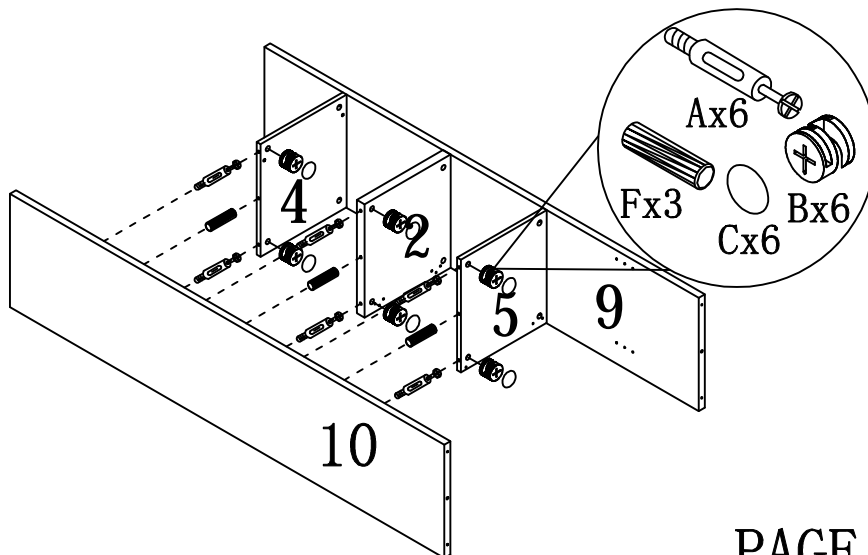
Cam Lock

	1	2	3	4
	1. Screw Cam Bolt into panel.	2. Insert Cam Bolt into bolt hole of joining panel.	3. Insert Cam Lock. arrow facing bolt.	4. Gently turn Cam Lock clockwise to lock position.



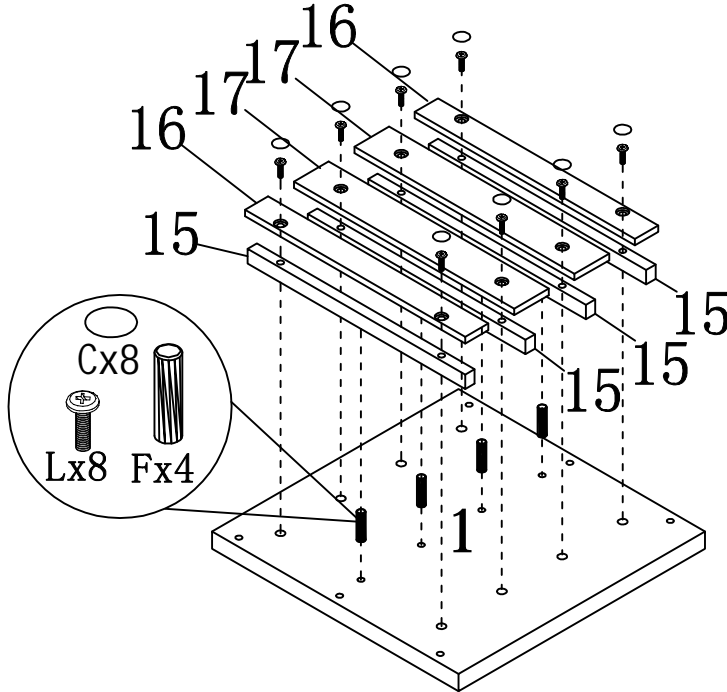
STEP 1

STEP 2



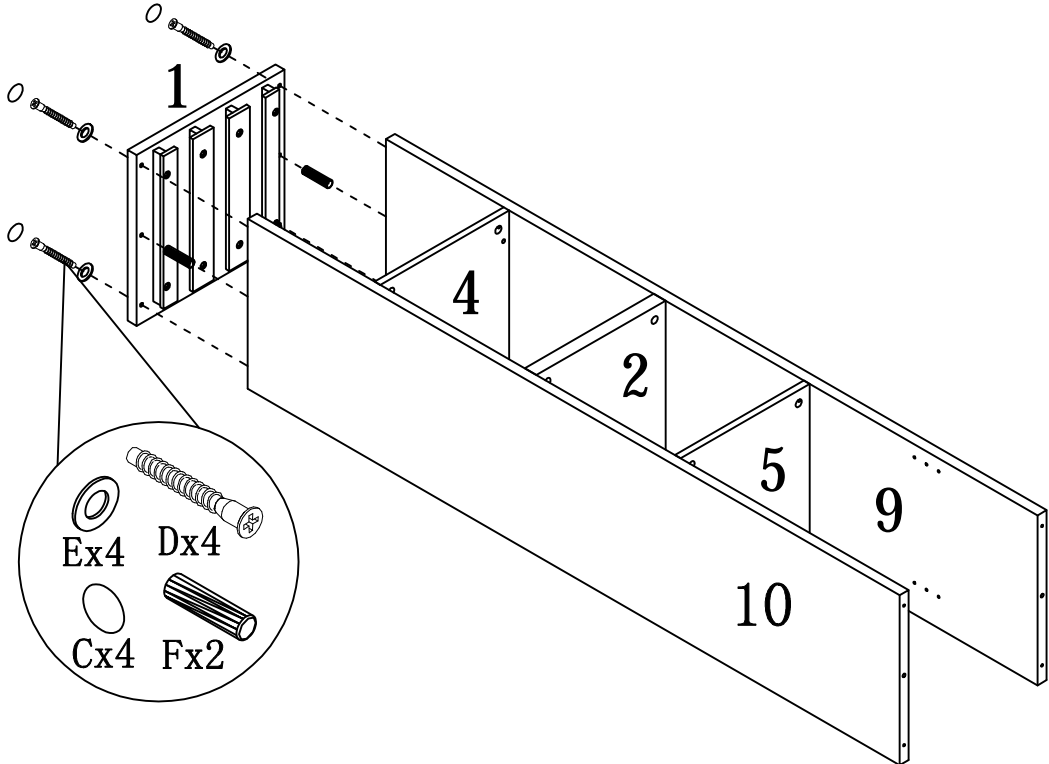
ASSEMBLY INSTRUCTION

ITEM#: 172170



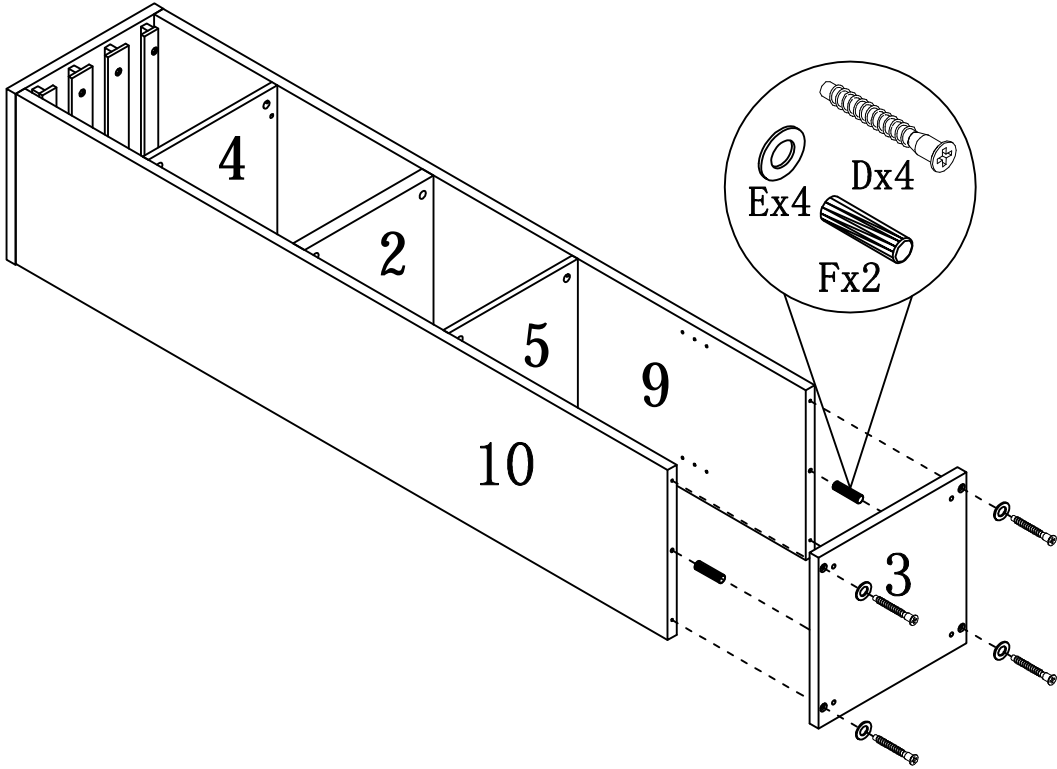
STEP3

STEP4



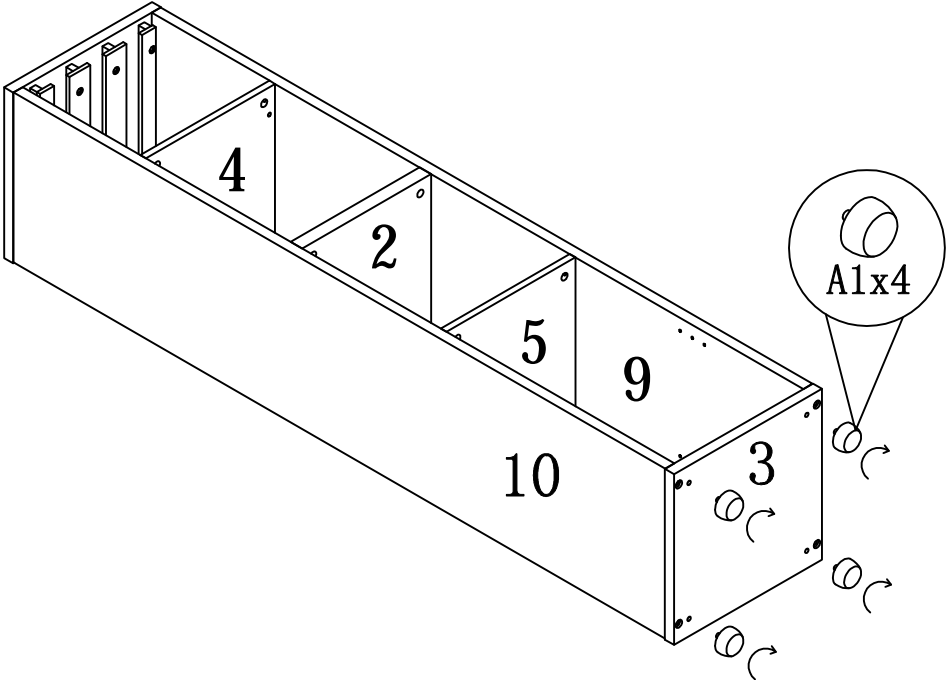
ASSEMBLY INSTRUCTION

ITEM#: 172170



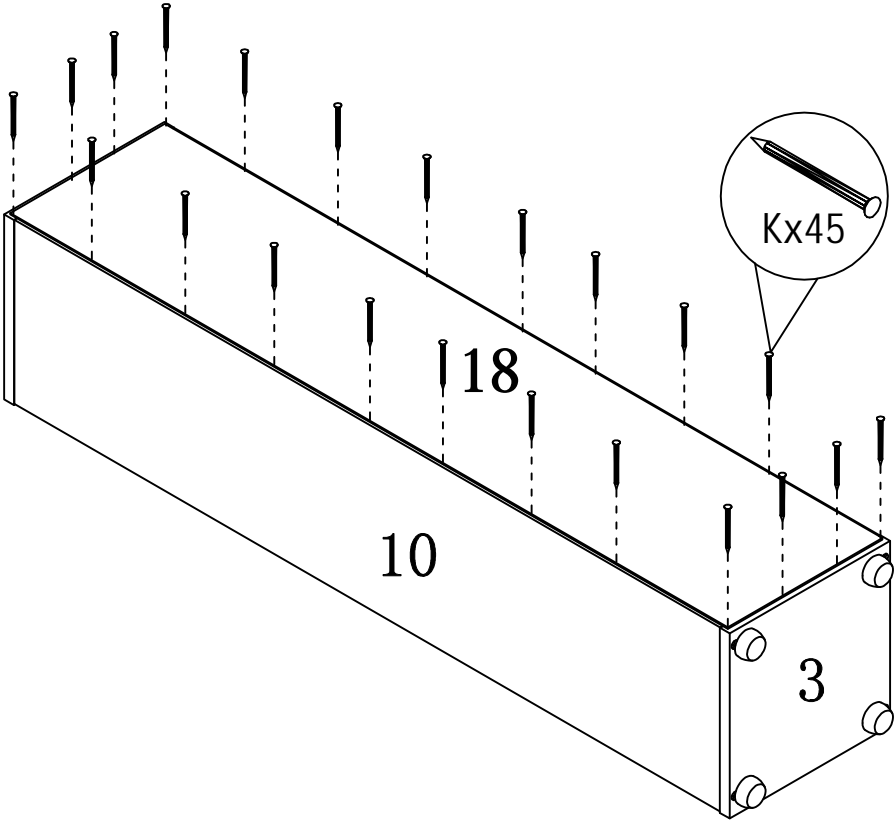
STEP5

STEP6



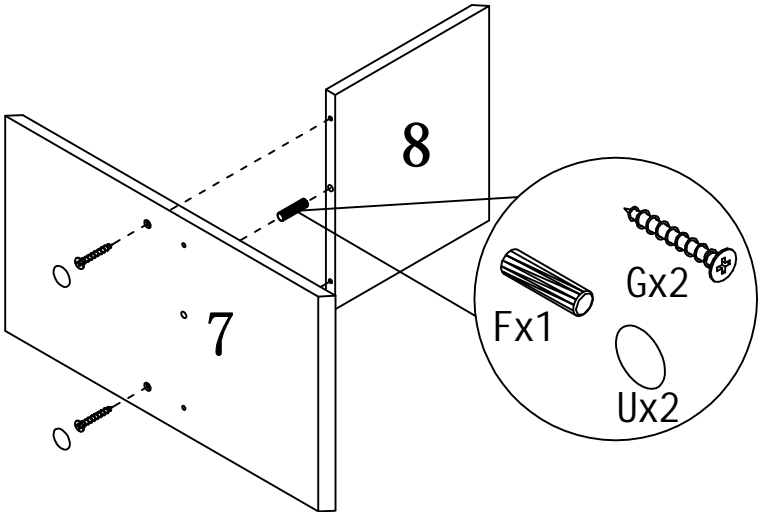
ASSEMBLY INSTRUCTION

ITEM#: 172170



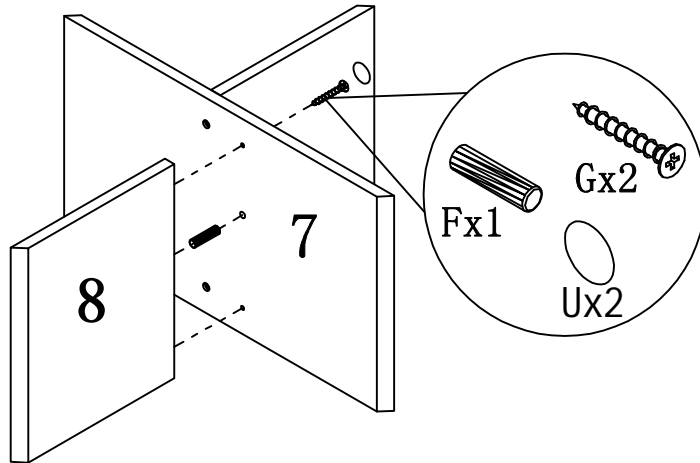
STEP7

STEP8



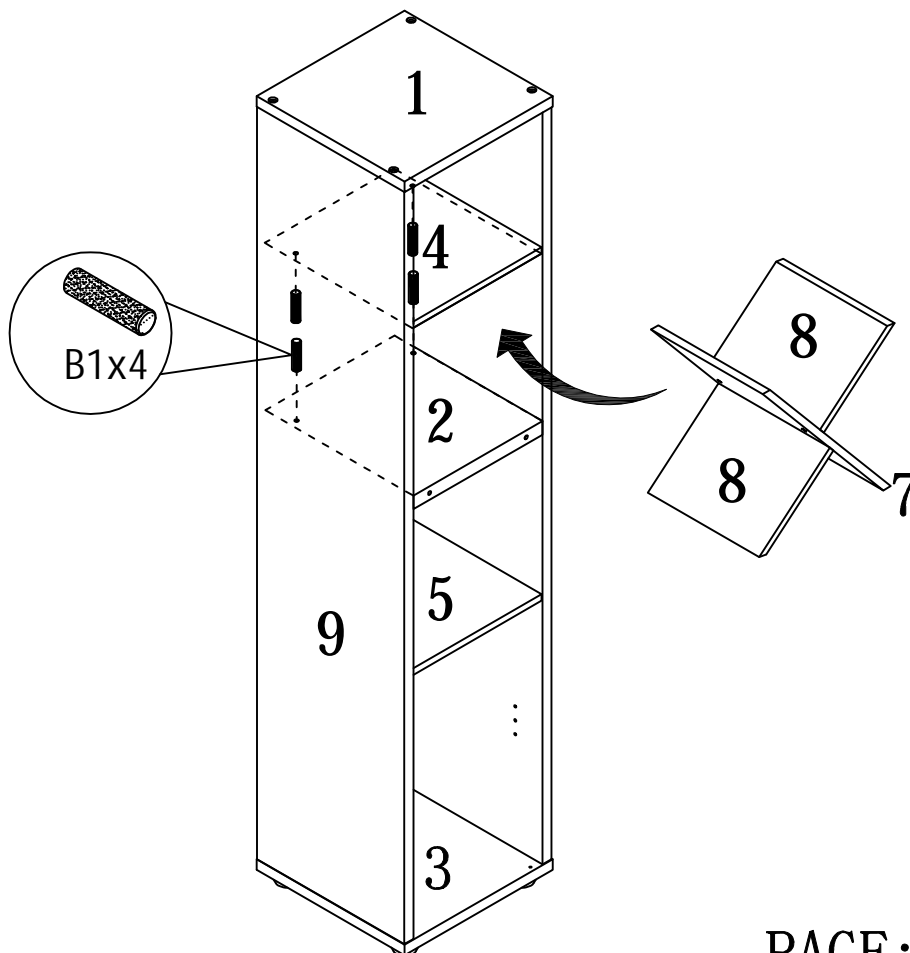
ASSEMBLY INSTRUCTION

ITEM#: 172170



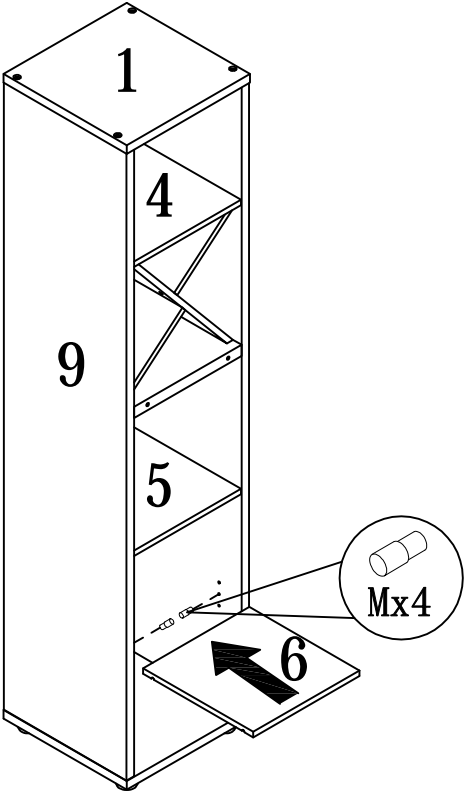
STEP9

STEP10



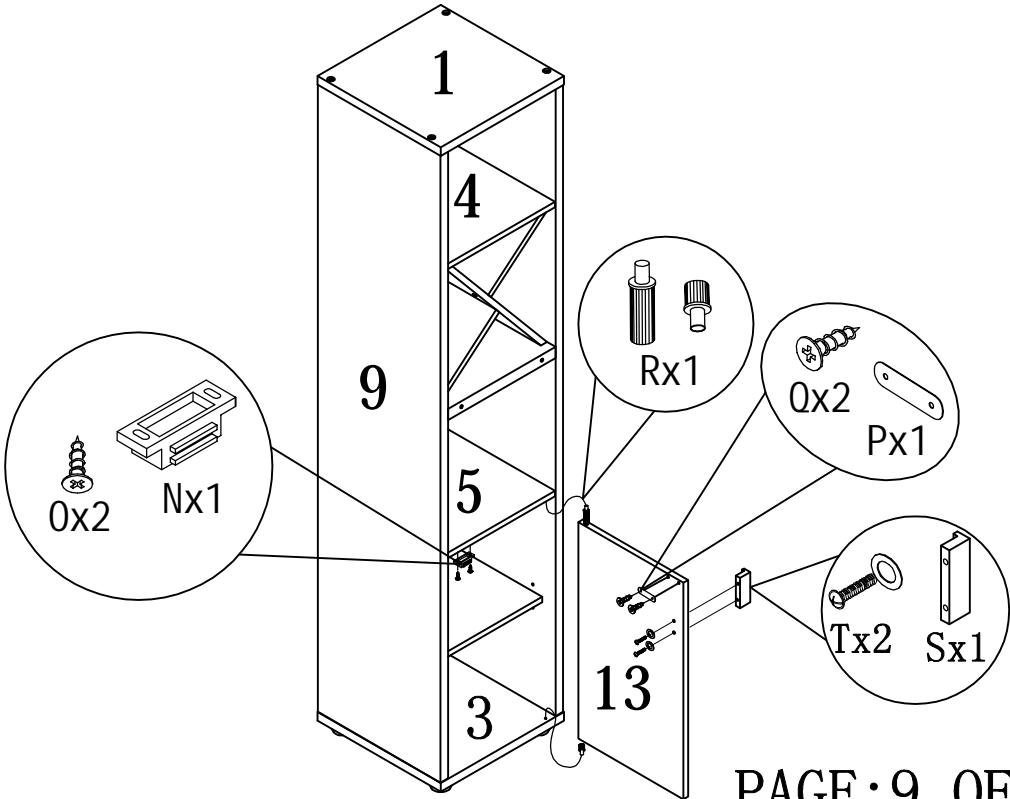
ASSEMBLY INSTRUCTION

ITEM#: 172170



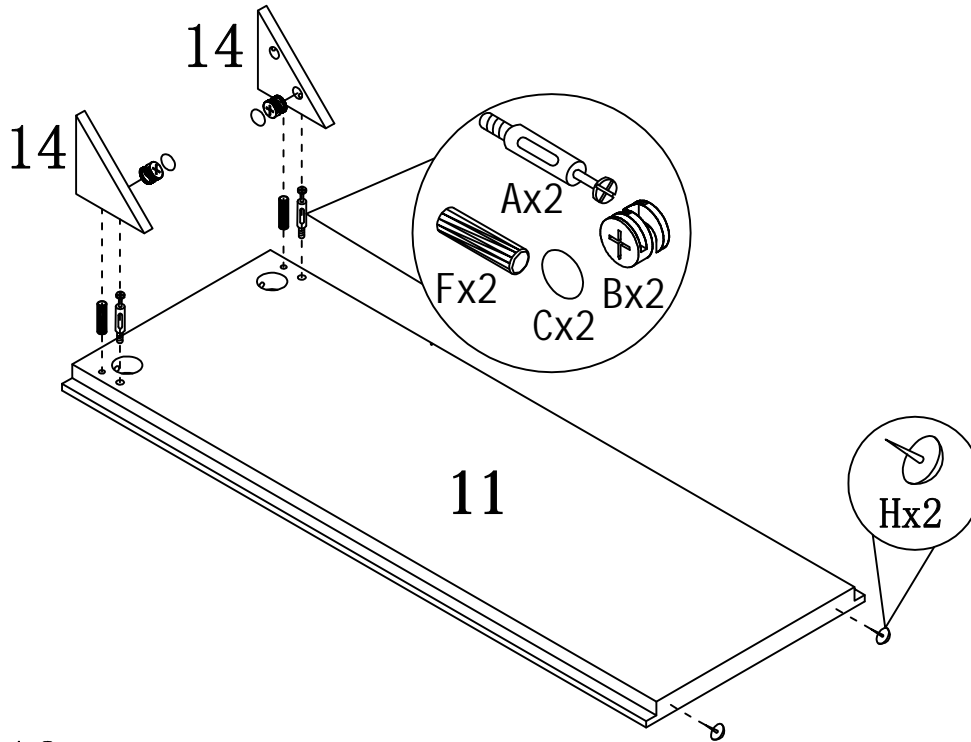
STEP 11

STEP 12



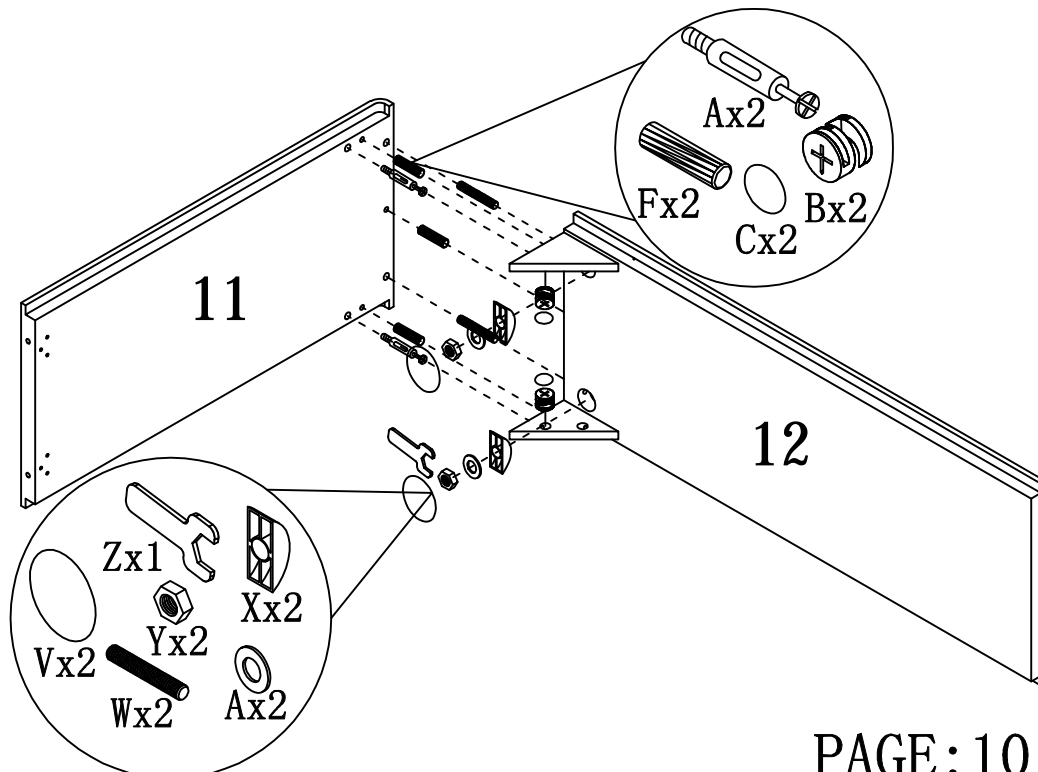
ASSEMBLY INSTRUCTION

ITEM#:172170



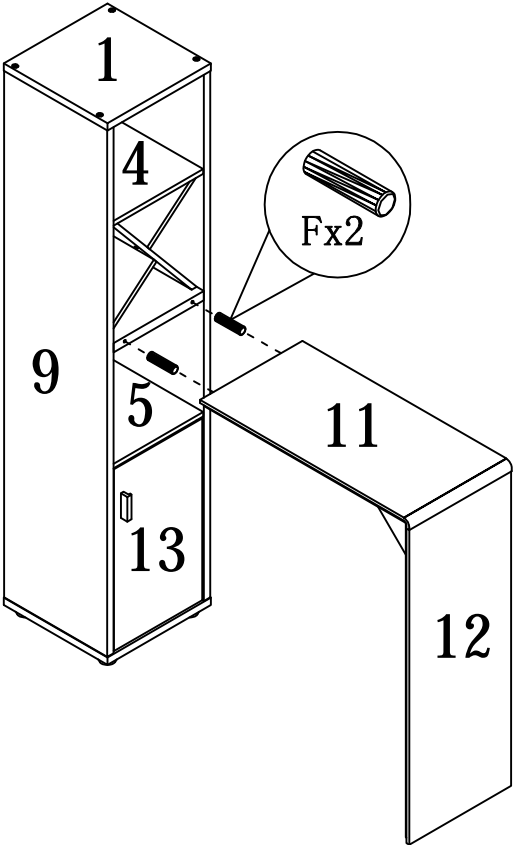
STEP13

STEP14



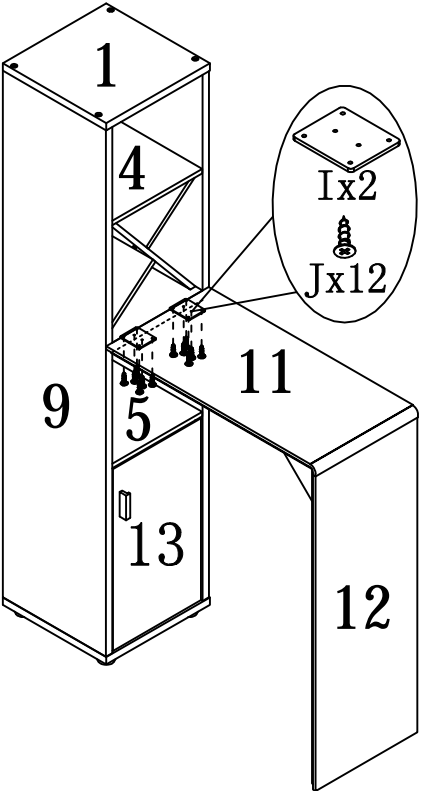
ASSEMBLY INSTRUCTION

ITEM#: 172170



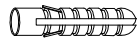
STEP 15

STEP 16

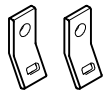


ANTI-TIPPING STRAP INSTRUCTION

HARDWARE (INCLUDED) :



DRYWALL ANCHOR $\phi 8 \times 40$ X 1PC



METAL BRACKETS $12 \times 12 \times 1$ X 2PCS



DRYWALL SCREW $\phi 5 \times 40$ X 1PC

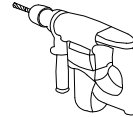


STRAP $197 \times 5 \times 1$ X 1PC



FLATHEAD SCREW $\phi 4 \times 25$ X 1PC

TOOLS NEEDED (NOT INCLUDED) :



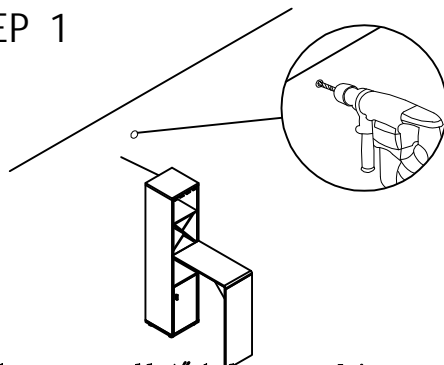
DRILL & DRILL BIT



LIGHT HAMMER

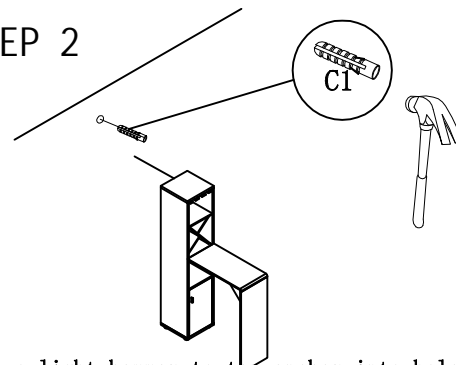
Note: Hardware included only compatible with standard drywalls.

STEP 1



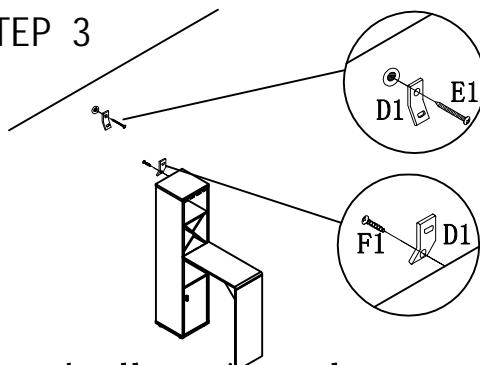
1. Find spot on wall 1" below top of item.
2. Using a drill bit slightly thinner than anchor, drill hole into drywall.

STEP 2



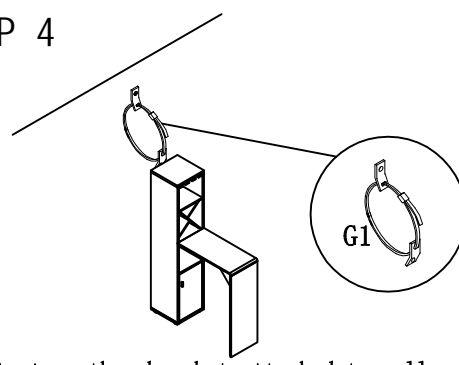
1. Use a light hammer to tap anchor into hole.
2. Anchor should fit snugly. If hole is too small, drill again to increase hole size. Do not force anchor into wall.

STEP 3



1. Insert drywall screw into metal bracket and into drywall anchor.
2. Insert flathead screw into second metal bracket and into back of item along top edge.

STEP 4



1. Insert strap thru bracket attached to wall, then thru bracket on item, and into head of strap.
 2. pull lightly til strap stops.
- Assembly is complete.