

ASSEMBLY INSTRUCTION

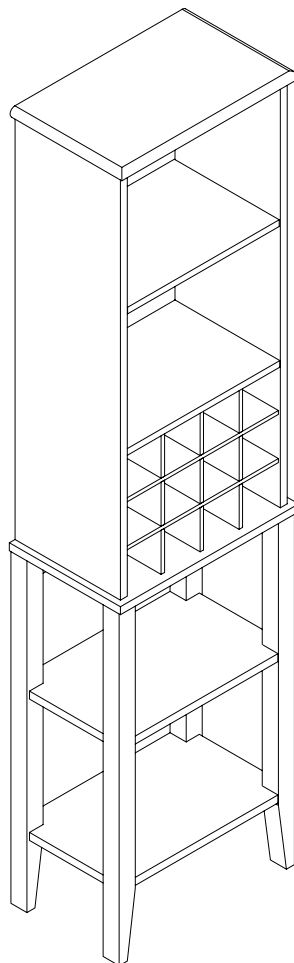
PLEASE READ BEFORE ASSEMBLING!

Tip #1: Make sure you've taken all the pieces and hardware out of its packaging before discarding the box.

Tip #2: Using page 2 and/or page 3 of instruction manual make sure all pieces and hardware are accounted for.

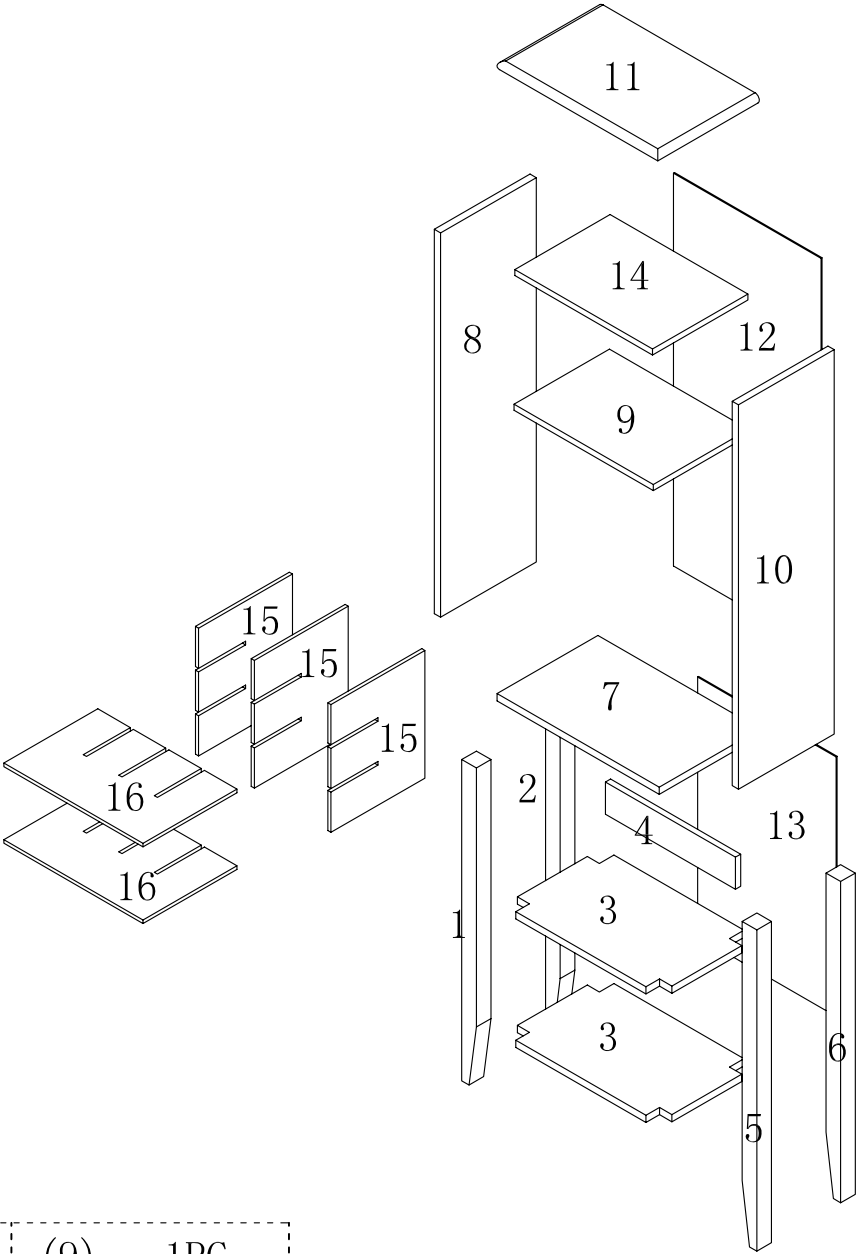
Tip #3: Read manual before assembling, it helps!

ITEM#: 29317



PARTS IDENTIFICATION


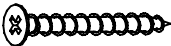
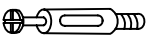


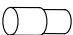
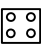


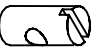
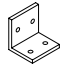




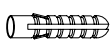



ITEM#: 29317



(1)	1PC	(9)	1PC
(2)	1PC	(10)	1PC
(3)	2PCS	(11)	1PC
(4)	1PC	(12)	1PC
(5)	1PC	(13)	1PC
(6)	1PC	(14)	1PC
(7)	1PC	(15)	3PCS
(8)	1PC	(16)	2PCS

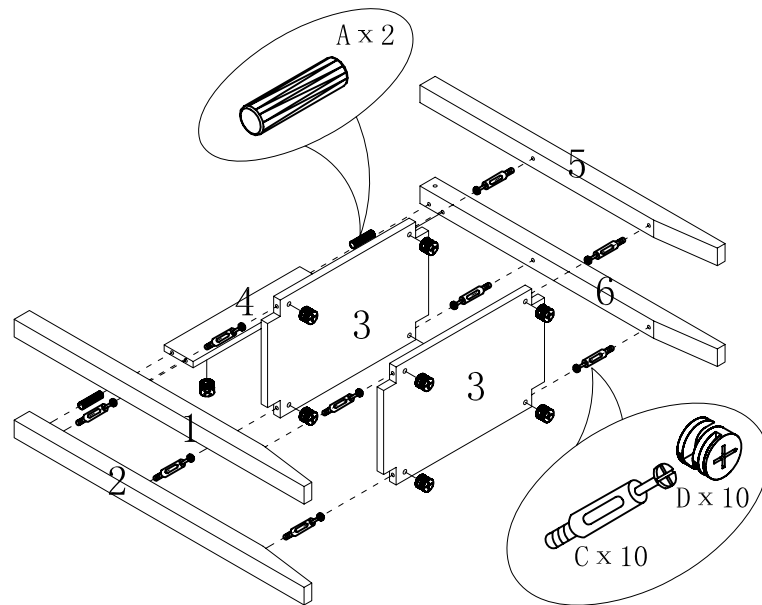
HARDWARE IDENTIFICATION

ITEM#: 29317

A		∅8x25	13PCS
B		∅4x40	8PCS
C		L=29	14PCS
D		∅15	14PCS
E			40PCS
F		∅5	4PCS
G		∅18	4PCS
H		∅4	1PC
I		∅6x55	4PCS
J		M6	4PCS
K			8PCS
L		∅3.5x12	32PCS
M			1PC
N		∅4x25	1PC
O		∅5x40	1PC
P			1PC
Q		L250	2pcs
R		∅4x16	6pcs
S		It's used for stick the stopper to the connecting hole firmly	1PC

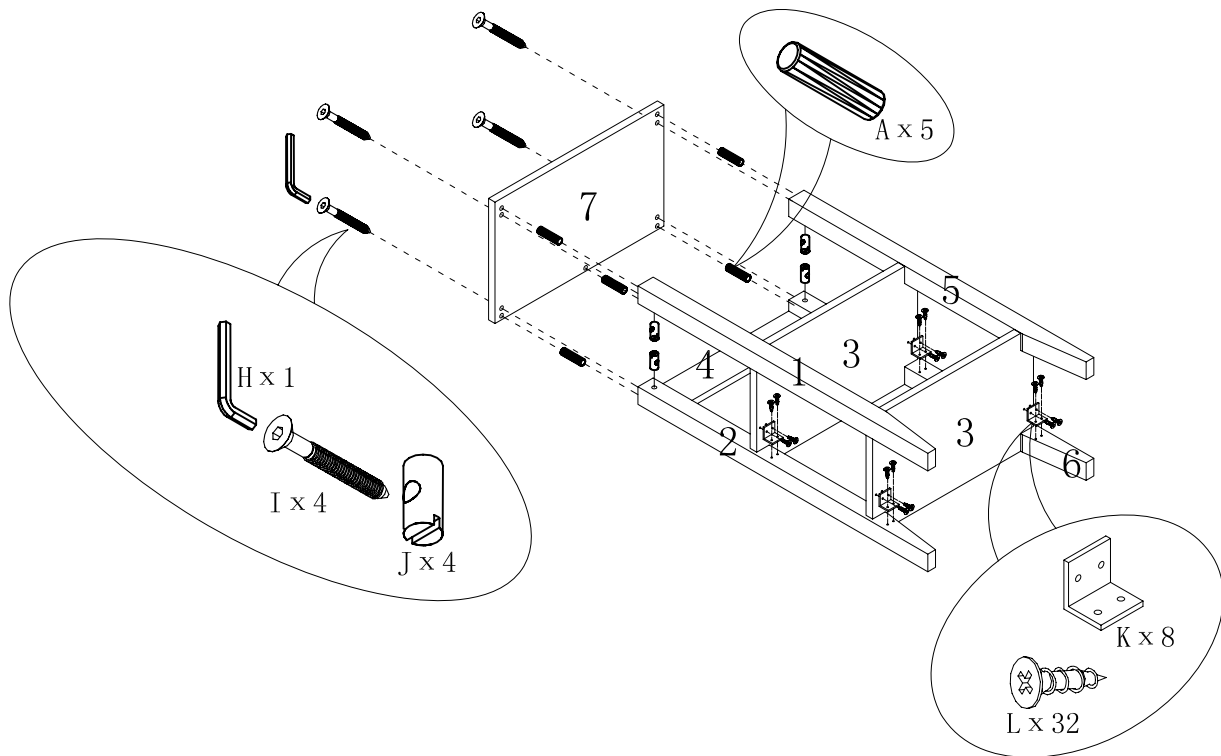
ASSEMBLY INSTRUCTION

ITEM#: 29317



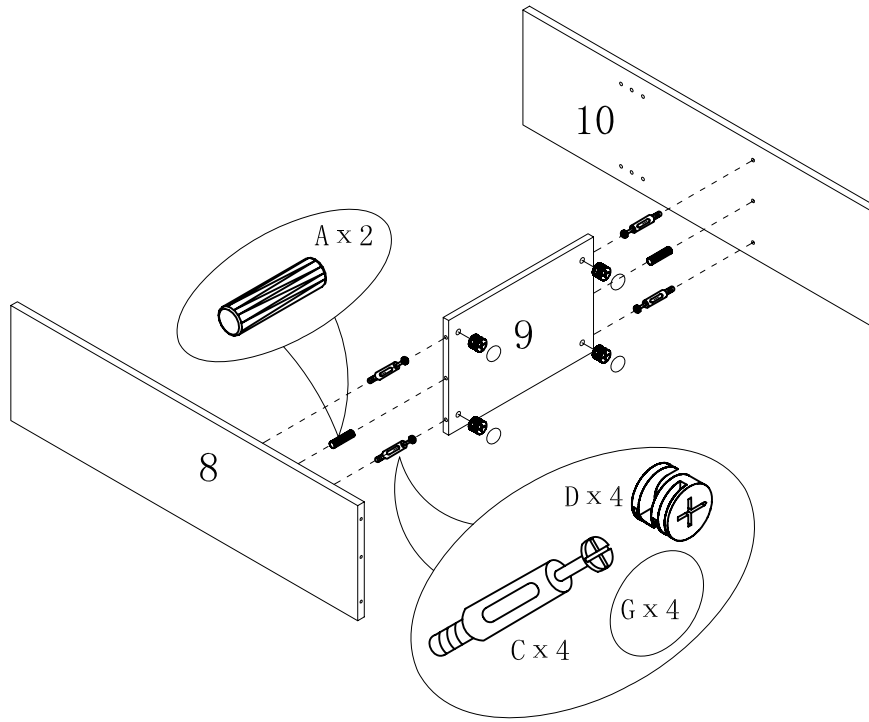
STEP 1

STEP 2



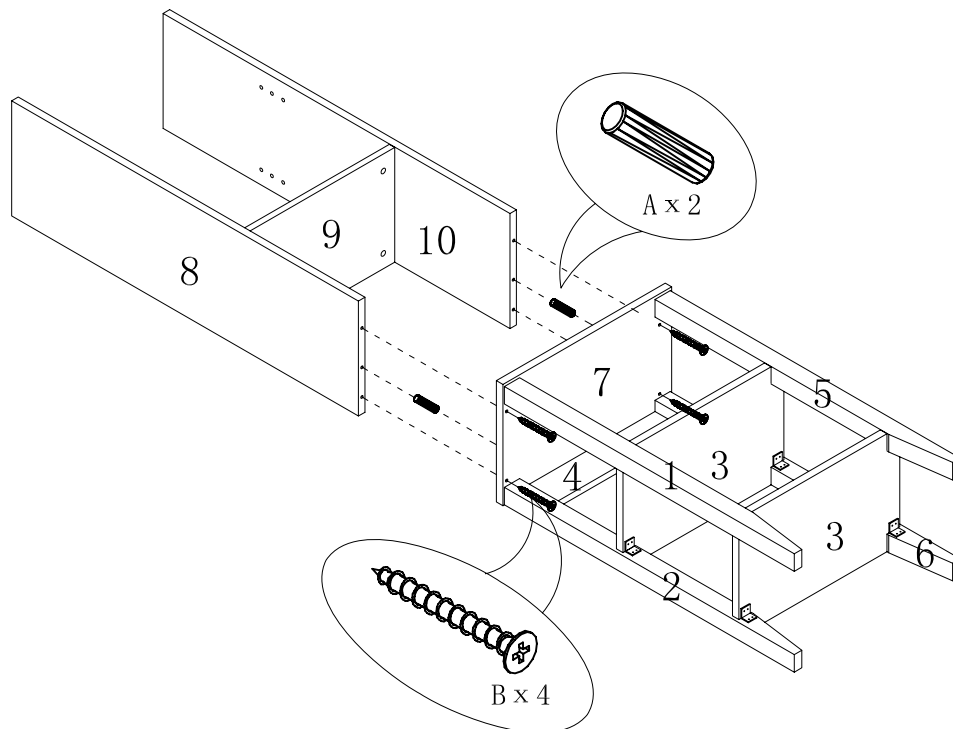
ASSEMBLY INSTRUCTION

ITEM#: 29317



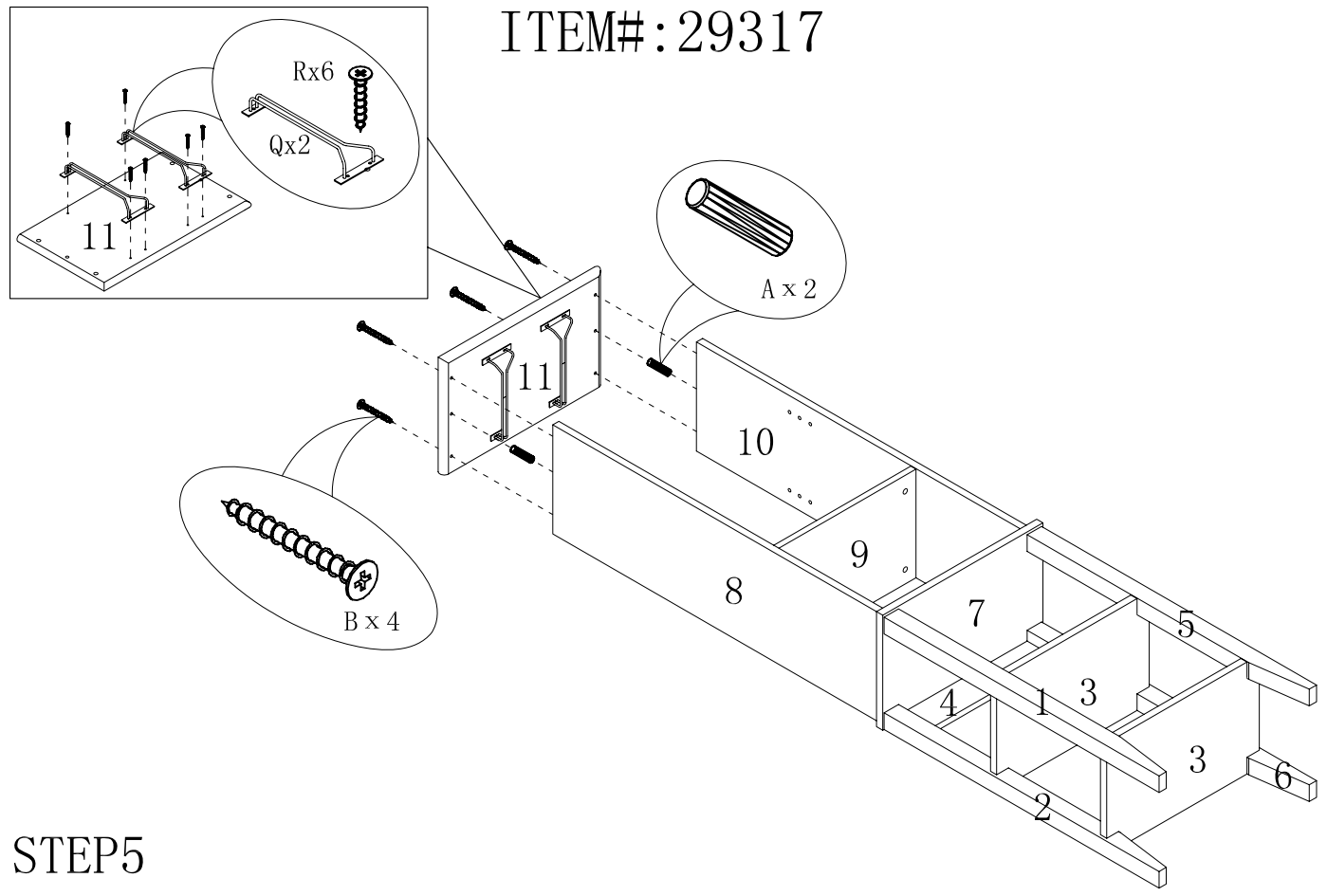
STEP3

STEP4



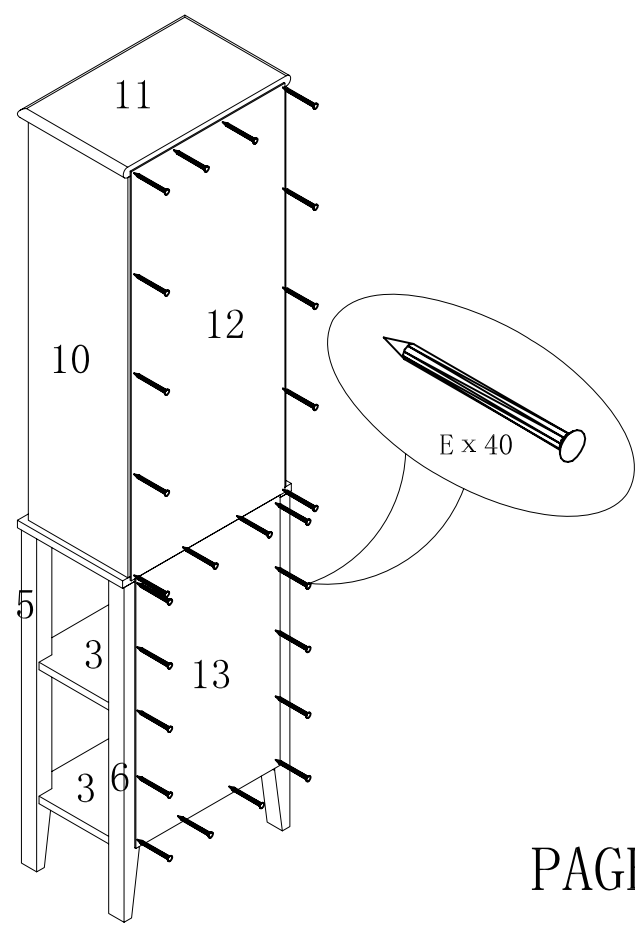
ASSEMBLY INSTRUCTION

ITEM#: 29317



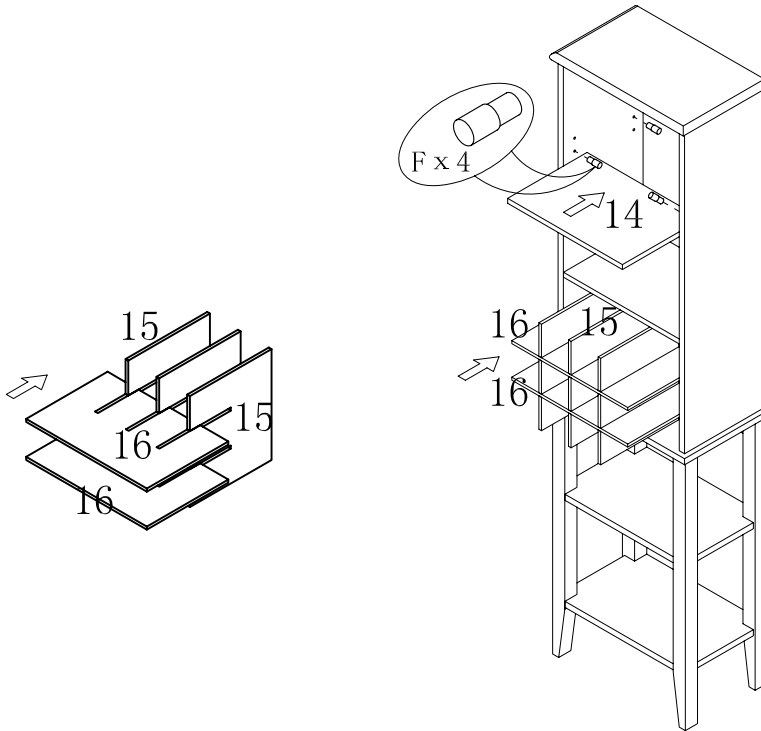
STEP 5

STEP 6



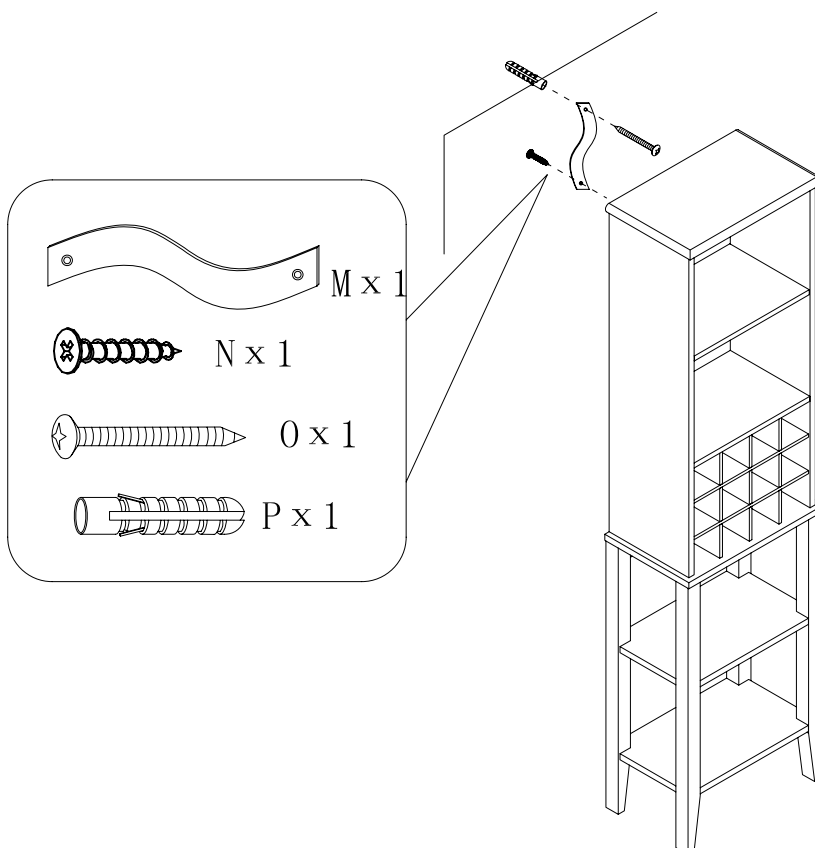
ASSEMBLY INSTRUCTION

ITEM#: 29317



STEP 7

STEP 8



PAGE: 7 OF 7