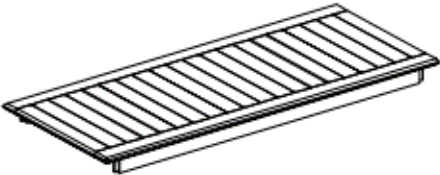
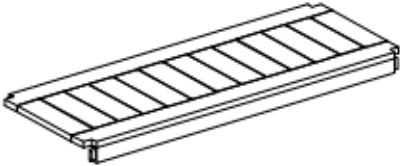
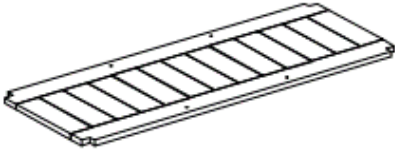
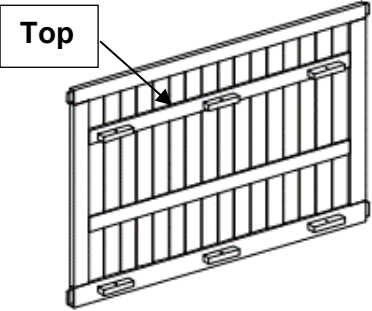
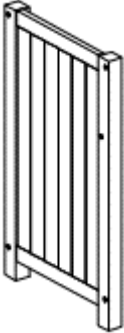



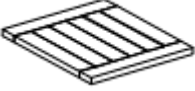










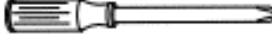
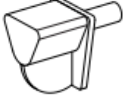

Pre-Assembly Instructions:

- Read all instructions carefully before assembly.
- Find a smooth clean area in which to work to avoid damaging your item.
- Check that all parts and hardware from the lists are present.
- Lay out parts in numerical order and hardware in alphabetical order to make them easier to find when you are ready to assemble
- Wait to dispose of packing material until assembly is complete to avoid accidentally disposing of small parts or hardware
- Tools required: Allen wrench (included) Phillips screwdriver (included)
- Please use caution and care when lifting the product to avoid injury
- For ease of assembly two people are recommended

Parts List:

1. Top Qty: 1 	2. Middle Shelf Qty: 1 	3. Bottom Shelf Qty: 1 
4. Back Qty: 1 	5. Left Side Qty: 1 	6. Right Side Qty: 1 
7. Left Door Qty: 1 	8. Right Door Qty: 1 	9. Shelf Qty: 3 
10. Front Support Bar Qty: 1 	11. Left Interior Side Panel Qty: 1 	12. Right Interior Side Panel Qty: 1 

Hardware List:

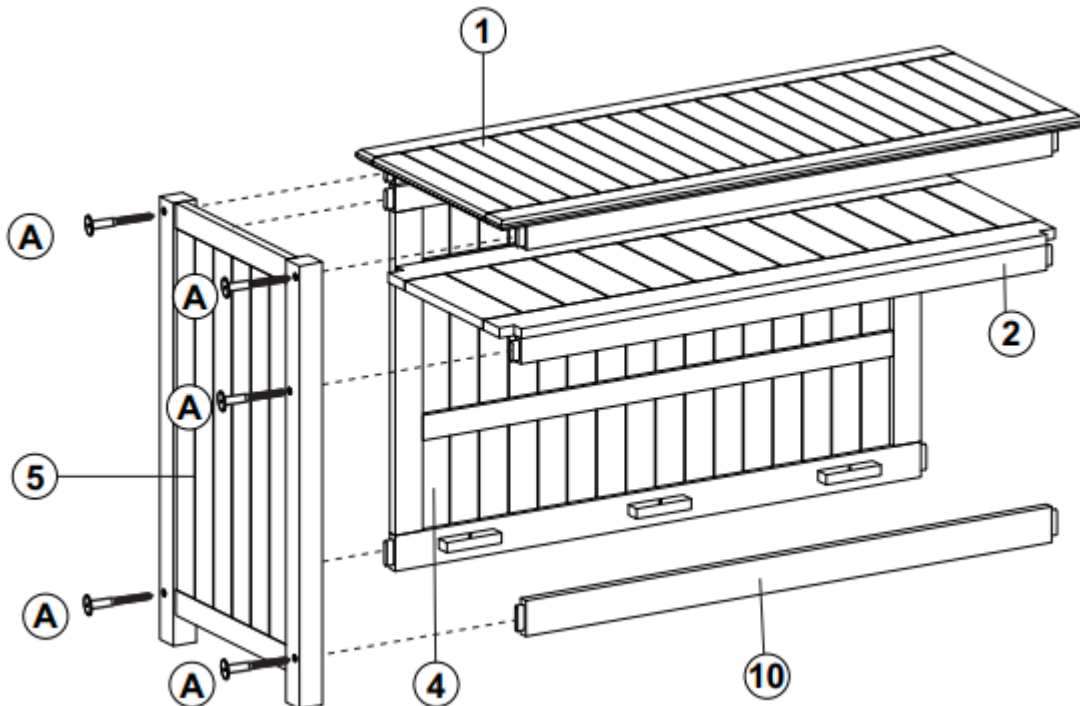
A. Long Screw Qty:10  Size 7x90mm	B. Medium Screw Qty:4  Size 6x40mm	C. Medium Flat Head Screw Qty:9  Size 4x30mm		
D. Short Flat Head Screw Qty:12  Size 3.5x15mm	E. Allen Wrench Qty: 1  Size 4mm	F. Screwdriver Qty: 1 	G. Shelf Support Qty: 12 	H. Knob Qty: 2 

Assembly Instructions:

Step 1:

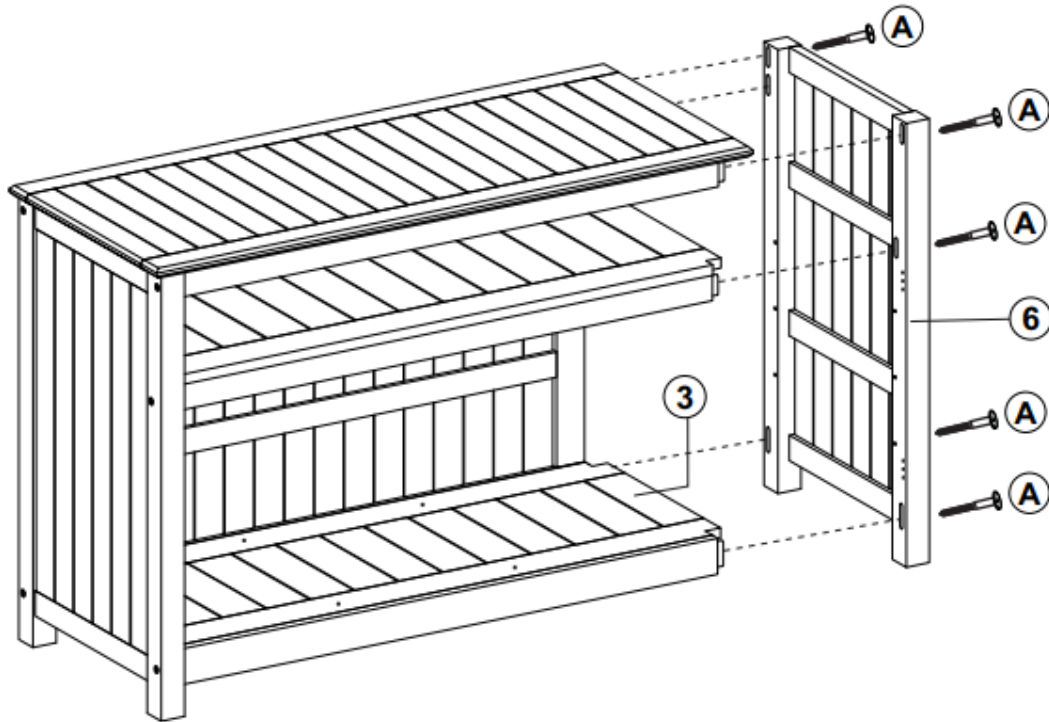
Place sideboard Back (4) on flat even surface. Use five Long Screws (A) to loosely attach left side (5) to the Back (4), the Top (1), the Middle Shelf (2) and the Front Support Bar (10)

TIP: Top of the Back (4) has space above the blocks. Top of Front Support Bar (10) has less space above the blocks than the bottom on the Front Support Bar



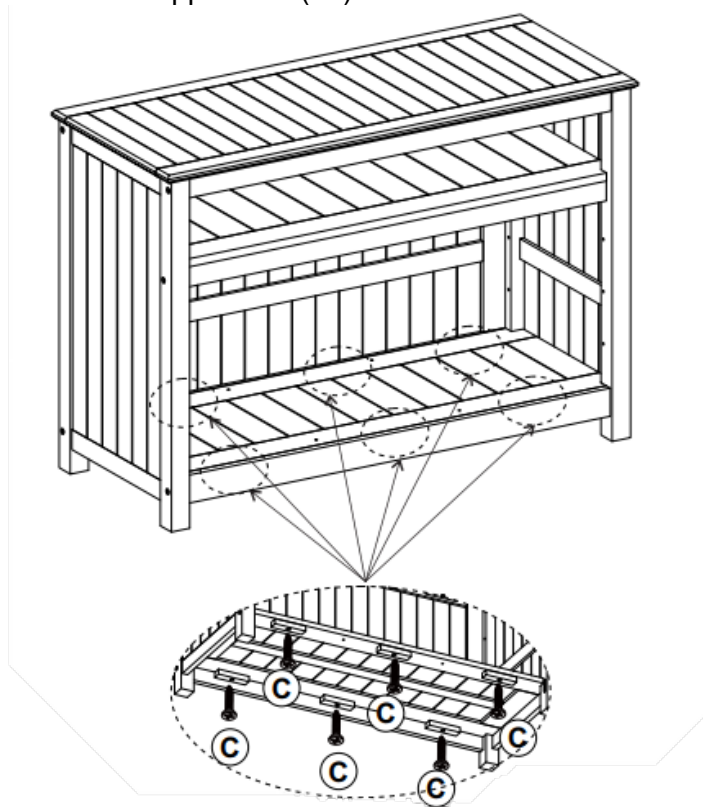
Step 2:

Insert Bottom shelf (3) Use five Long Screws (A) to loosely attach the Right Side (6 to the back (4), the Top (1), the Middle Shelf (2) and the Front Support Bar (10). Fully tighten all screws but do not over-tighten.



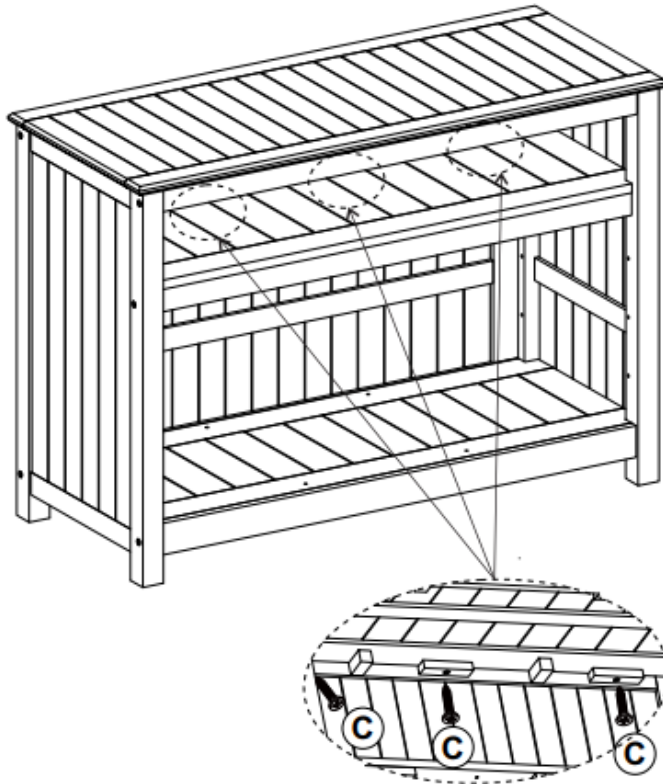
Step 3:

From the bottom of the unit use six Medium Flat Head Screws (C) to secure the underside of the Bottom Shelf (3) to the Back (4) and Front Support Bar (10).



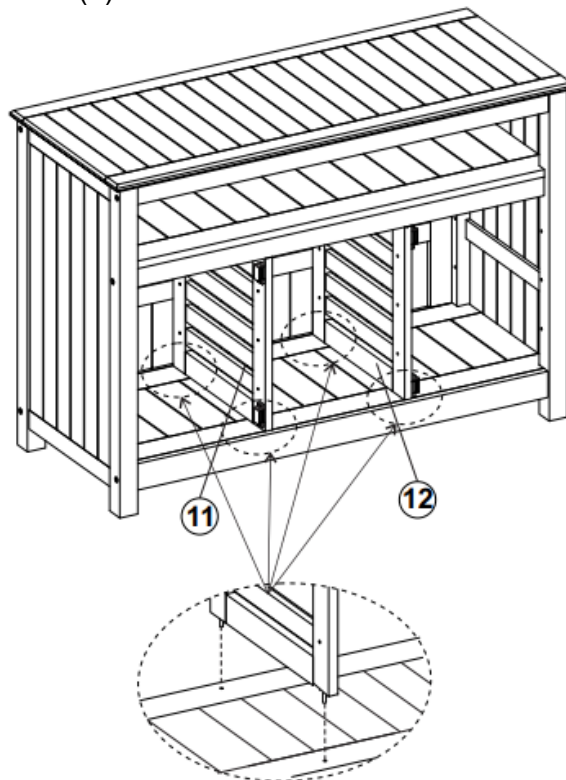
Step 4:

Use three Medium Flat Head Screws (C) to secure the underside of the Middle Shelf (2) to the Back (4).



Step 5:

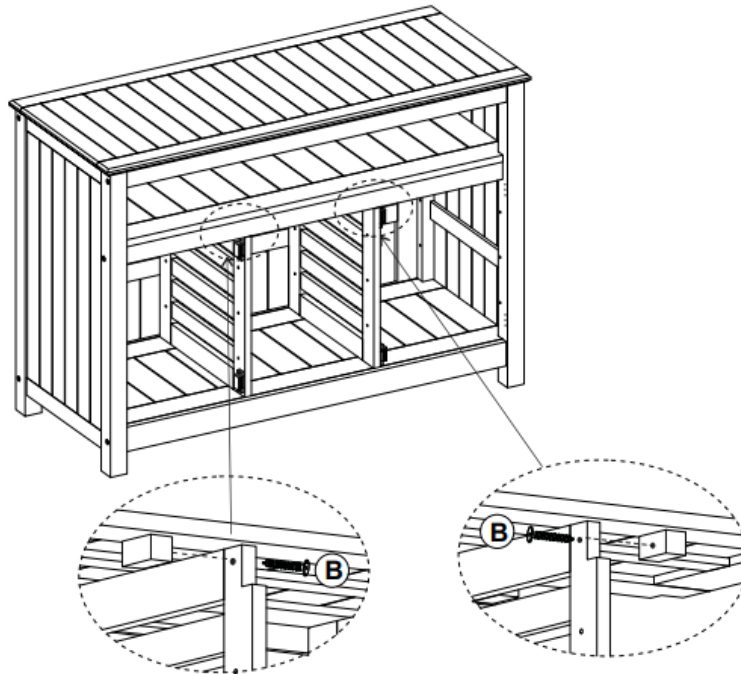
Insert the dowels on the bottom of the Left Interior Side Panel (11) into the holes on the left side of the Bottom Shelf (3). Insert the dowels on the bottom of the Right Interior Side Panel (12) into the holes on the right side of the Bottom Shelf (3).



Step 6:

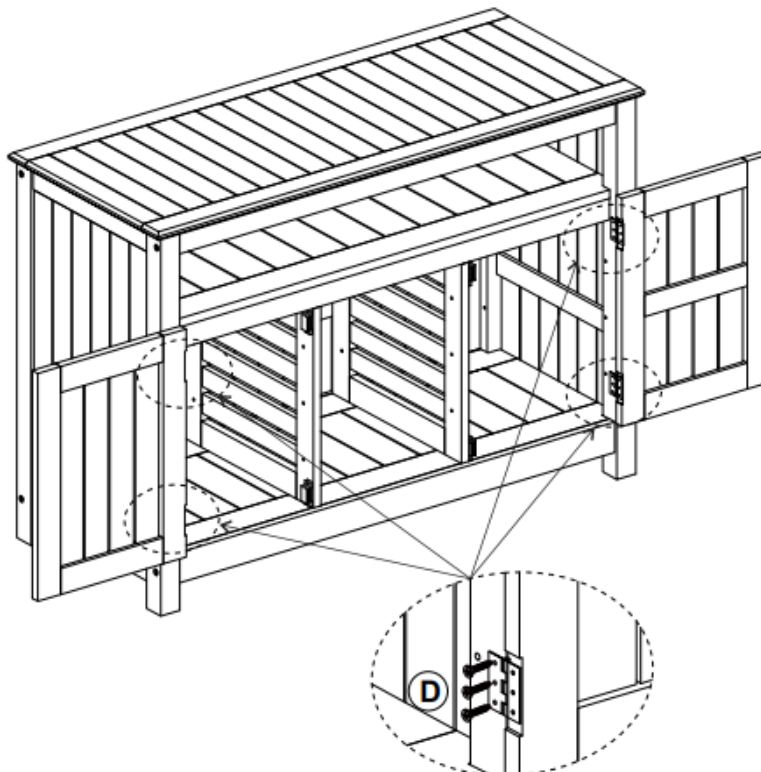
Use two Medium Screws (B) to attach the Left Interior Side Panel (11) to the block on the front and back underside of the Middle Shelf (2) Use two Medium Screws (B) to attach the Right Interior Side Panel (12) to the block on the front and back underside of the Middle Shelf (2)

TIP: Make sure the Left Interior Side Panel (11) and the Right Interior Side Panel (12) is flush with the front bar of the Middle shelf (2) when screwing in the side panels or doors will not close properly.



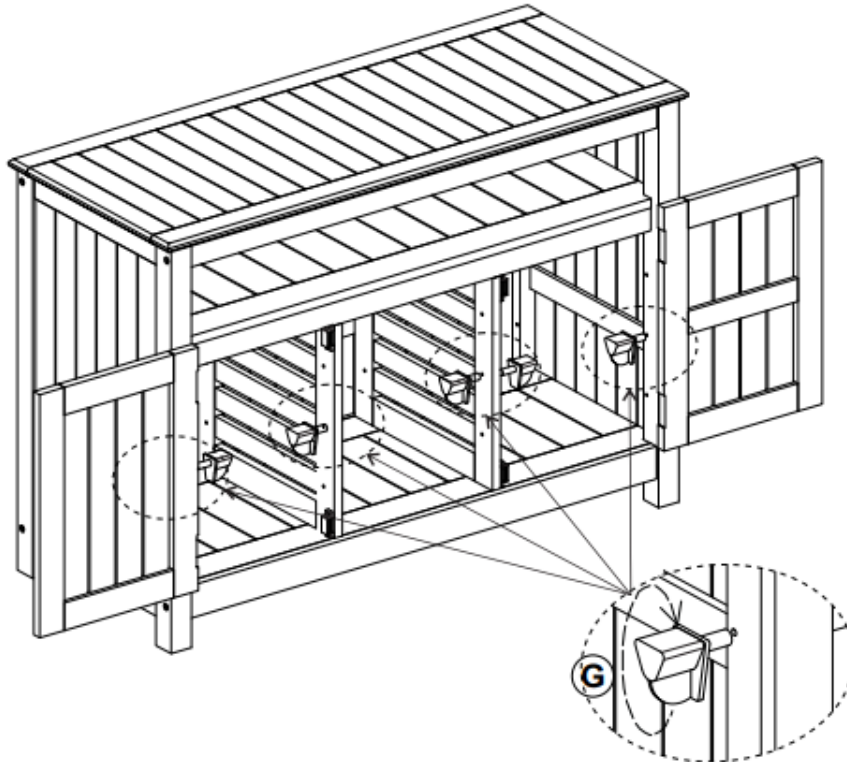
Step 7:

Use six Small Flat Head Screws (D) to attach the Left Door (7) to the Left Side (5) Use six Small Flat Head Screws (D) to attach the Right Door (8) to the Right Side (6)



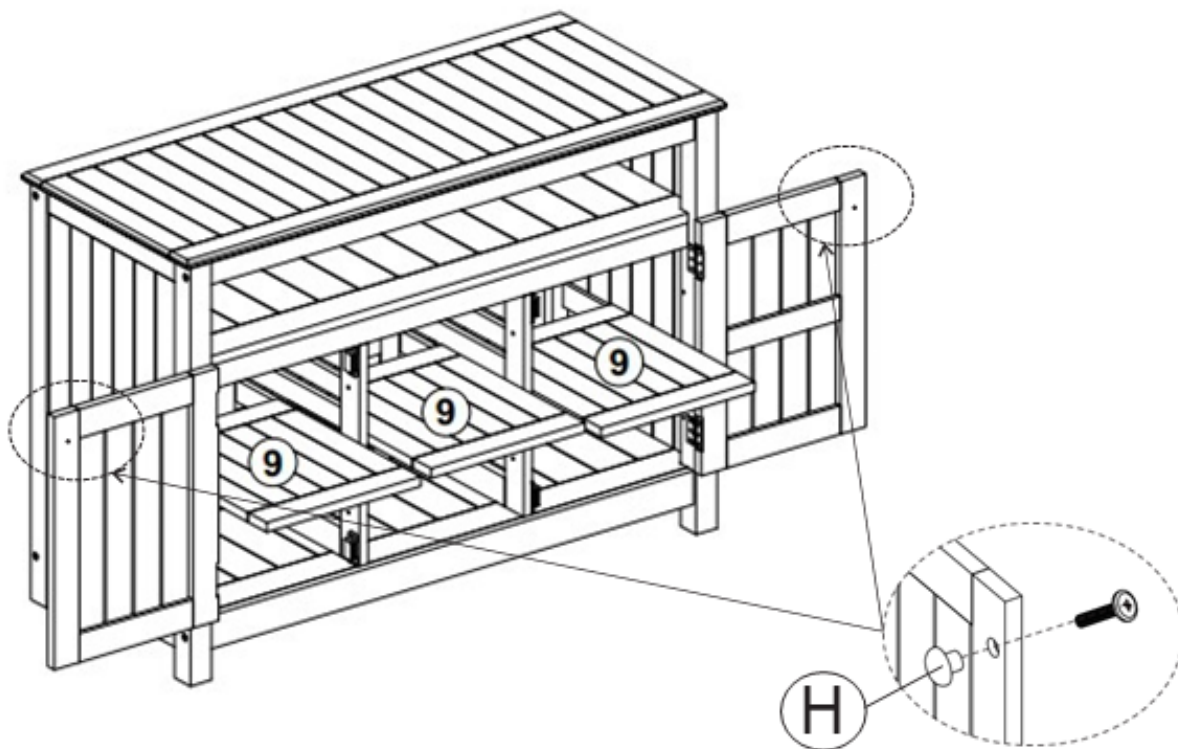
Step 8:

Set Sideboard upright and insert four Shelf Supports (G) in the desired locations for each of the three shelves.



Step 9:

Place the three Shelves (9) on the Shelf Supports (G) attach Knobs (H) to the top corner of the Left Door (7) and Right Door (8)



Post-Assembly Instructions:

- Periodically check hardware to be sure it doesn't loosen over time.
- Do not stand or sit on this item.

Outdoor Furniture Care Tips:

With the proper care, your premium eucalyptus furniture can last up to 25 years or more. Our eucalyptus outdoor furniture is available in 3 different finishes. Our Natural oil and espresso finishes are a transparent oil finish designed to let the beautiful grain of the eucalyptus show through. Our driftwood gray finish is a painted distressed finish made to look like weathered eucalyptus. Like any investment care and maintenance play an important role in how well and how long your Eucalyptus furniture will last. There are several ways to care for your Eucalyptus furniture depending on the finish and the look that you want.

Oil Finished Eucalyptus Furniture Care:

To maintain the color and finish of your Eucalyptus furniture it is possible to preserve the look with a little care.

- Clean your furniture using a soft bristle brush and mild soap and water. You may also clean it with a teak cleaner. Rinse well with clean water after washing.
- Do not use a power washer as it can damage the surface of your furniture causing it to splinter.
- Do not use steel wool or brass wool it is too abrasive and can leave a residue that will leave rust spots on your furniture.
- Furniture with an oil finish can be treated annually with a Teak sealer to help seal in the natural eucalyptus oils and protect it further from the elements. The sealer also provides UV protection and will help maintain the finish.
- Furniture with an oil finish can also be treated with a good quality Teak oil if you do not want to use a sealer. Teak oil can be applied as often as needed depending on how much exposure to the elements your furniture receives. Teak oil will restore the shine from the oil finish and help retain the golden color of the furniture.
- We recommend you protect your furniture in the offseason by using good quality furniture cover. It helps keep your furniture clean and protects it from the elements and minimizes annual maintenance.

Painted Outdoor Eucalyptus Furniture Care:

To maintain the color and painted finish of your Eucalyptus furniture it is possible to preserve the look with a little care.

- Brush off any loose dirt or debris with a soft brush and wipe down with a mild detergent and water. Rinse well with clean water after washing.
- Do not use a power washer as it can damage the surface of your furniture causing it to splinter.
- Do not use steel wool or brass wool it is too abrasive and can leave a residue that will leave rust spots on your furniture.
- We recommend you protect your furniture in the offseason by using good quality furniture cover. It helps keep your furniture clean and protects it from the elements and minimizes annual maintenance.

Natural Weathered Eucalyptus Furniture Care:

Exposed to the elements eucalyptus will acquire a silver-gray patina. To obtain the patina leave the furniture outdoors in the sunlight without treating it with a teak sealer or teak oil and it will begin to develop the silver-gray patina. During the weathering process, a slight lifting of the grain may occur, and you may even see a few cracks. This is not considered a defect, but a natural process of the wood expanding and contracting.

To care for Weathered Eucalyptus:

- Lightly sand the surface of the furniture with 150 or 180 grit sandpaper once a year to remove any fuzziness that occurs due to exposure to the elements. Be sure to sand lightly to retain the natural patina.

- Clean as needed with a soft bristle brush and mild soap and water. You may also clean it with a teak cleaner. Rinse well with clean water after washing.
- Do not use a power washer as it can damage the surface of your furniture causing it to splinter.
- Do not use steel wool or brass wool it is too abrasive and can leave a residue that will leave rust spots on your furniture.

We recommend you protect your furniture in the off season by using a using a good quality furniture cover. It helps keep your furniture clean and protects it from the elements thus minimizing annual maintenance.