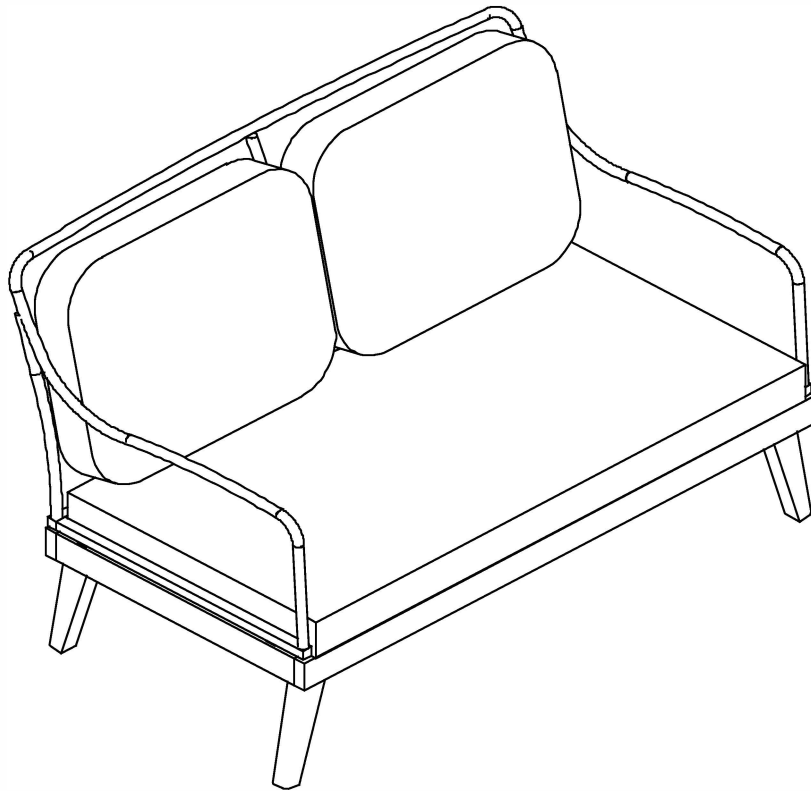


Assembly Instructions

Caution: You must read this before you proceed

Please look underneath the Table Top for hardware packs

LOVESEAT

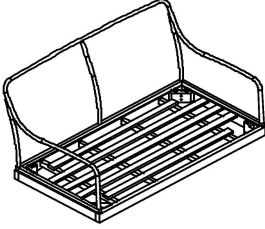
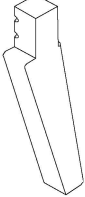
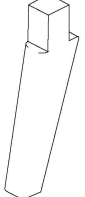
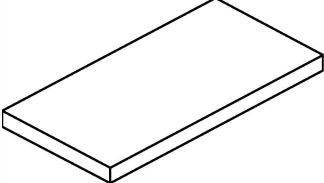
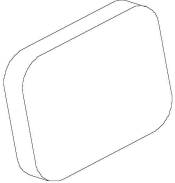


CAUTION: This Loveseat is NOT a TOY.



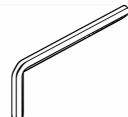
Keep your child / children at bay during the assembly process.

For turning the Loveseat and to prevent damage to the Loveseat, 2 people may be needed to execute this action.

Parts List

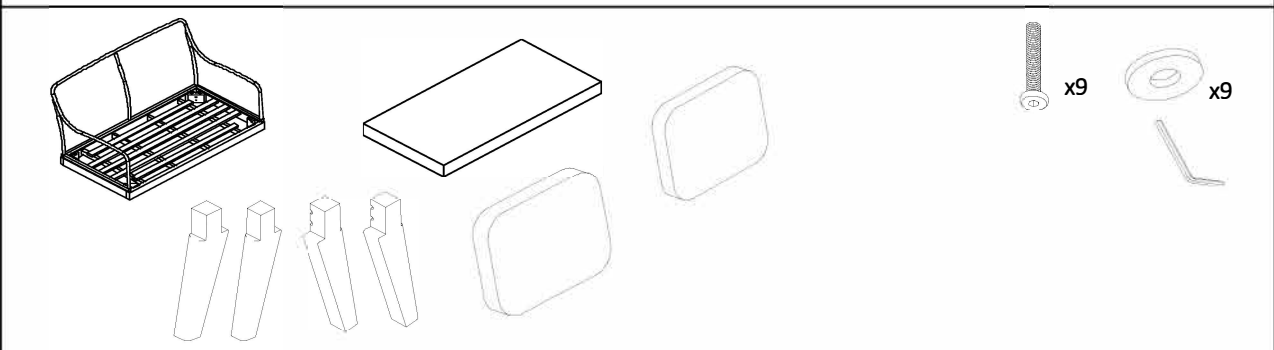
Label	Picture	Description	QTY
I		Seat Frame	1
J		Right Leg	2
K		Left Leg	2
L		Seat Cushion	1
M		Backrest Cushion	2

Hardware

Label	Picture	Description	QTY
⑥		Bolt (M6x55mm)	9
⑦		Washer (M6/18x2mm)	9
⑧		Allen Wrench(M4)	1

Assembly Preparation

Before Beginning Assembly:



- Read instructions, cover to cover-



- Have 2 adults on hand for assembly-



- Do not assemble on flooring or carpet-



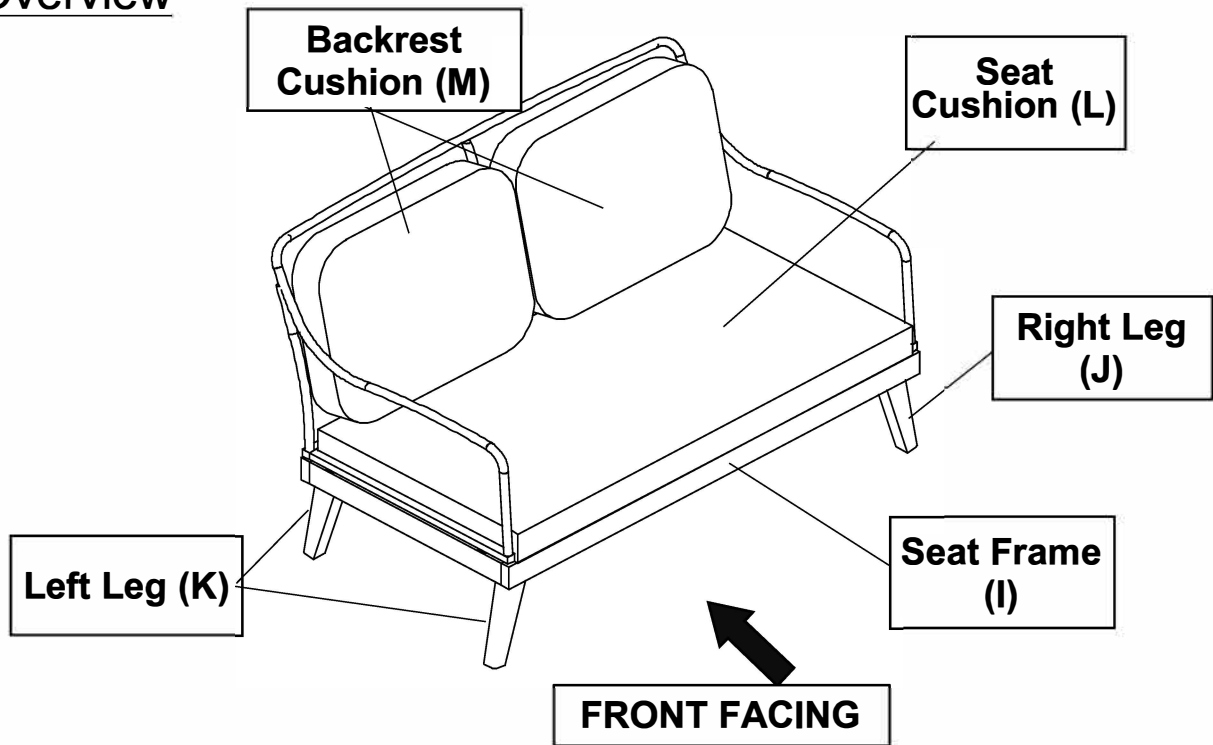
- Assemble on a clean non-marring surface (packing foam)-



- Save all packaging until finished-

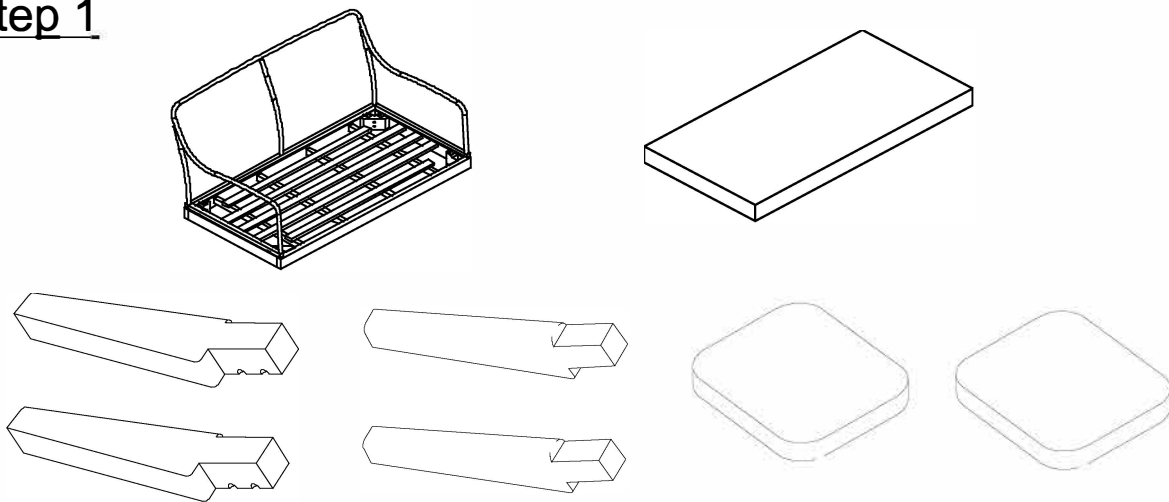
Assembly Steps

Overview



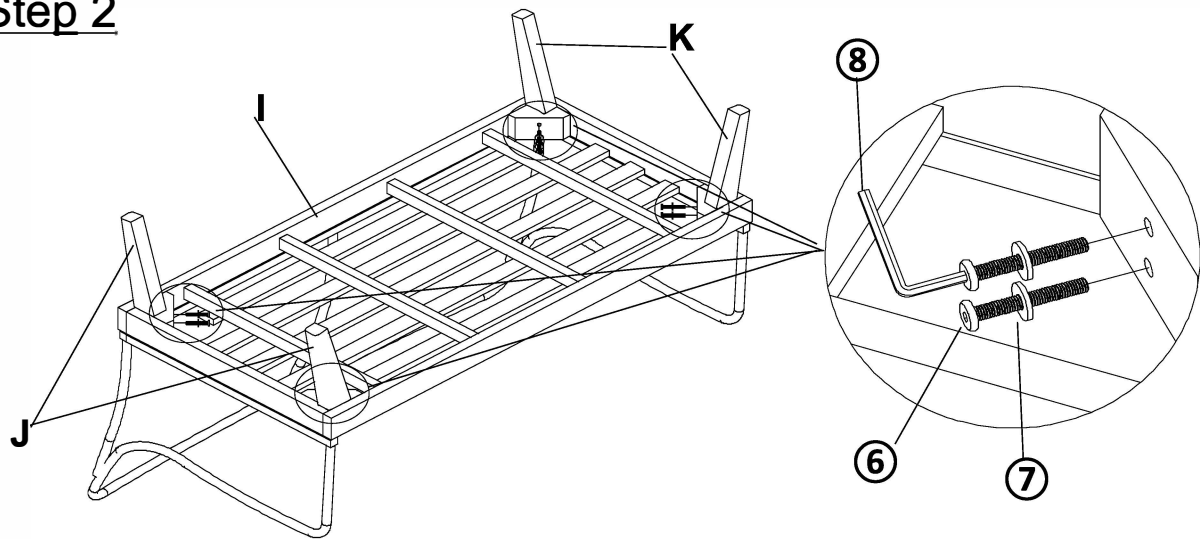
This Loveseat has multiple parts and may require up to 30 minutes to assemble. To give you an overview of the Loveseat, the above picture is to help you put the various parts into perspective. Please read through the instructions below to familiarise yourself with the parts and steps before assembly.

Step 1



Unpack and place all parts on a clean, non-marring surface.

Step 2

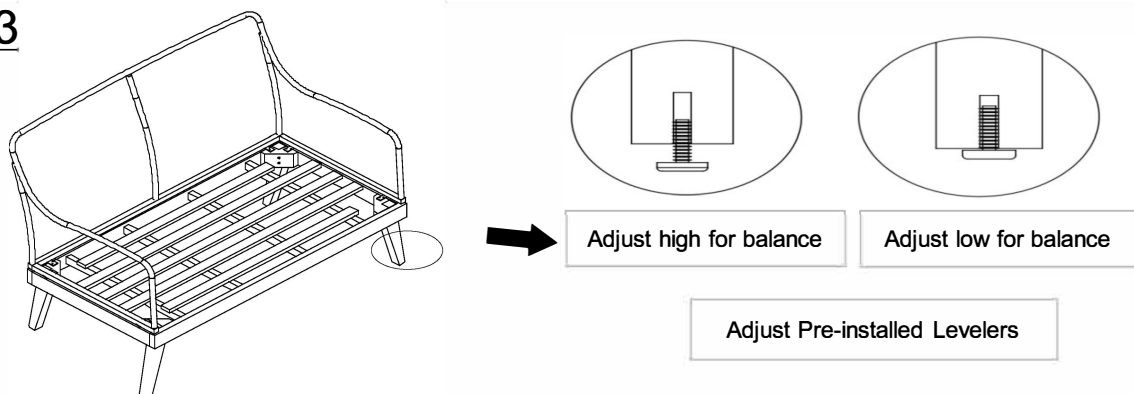


With assistance from your adult partner, place the Seat Frame (I) facedown onto a clean, non-marring surface, then attach the Right Leg(J) and Left Leg(K) to the Seat Frame (I) using the Bolts(⑥), Washers(⑦) and the Allen Wrench(⑧).

Do not fully tighten the Bolts.

Repeat the same process with the remaining Right Leg(E) and Left Leg(F).

Step 3



With assistance from your adult partner, turn the Loveseat right side up.

Inspect it and make sure all parts are adequately connected.

Carefully sit on the Loveseat. This pressure will help align all parts at all joints.

Then get off the Loveseat and proceed to tighten the Bolts in a sequential manner.

When tightening the Bolts tighten sequentially.

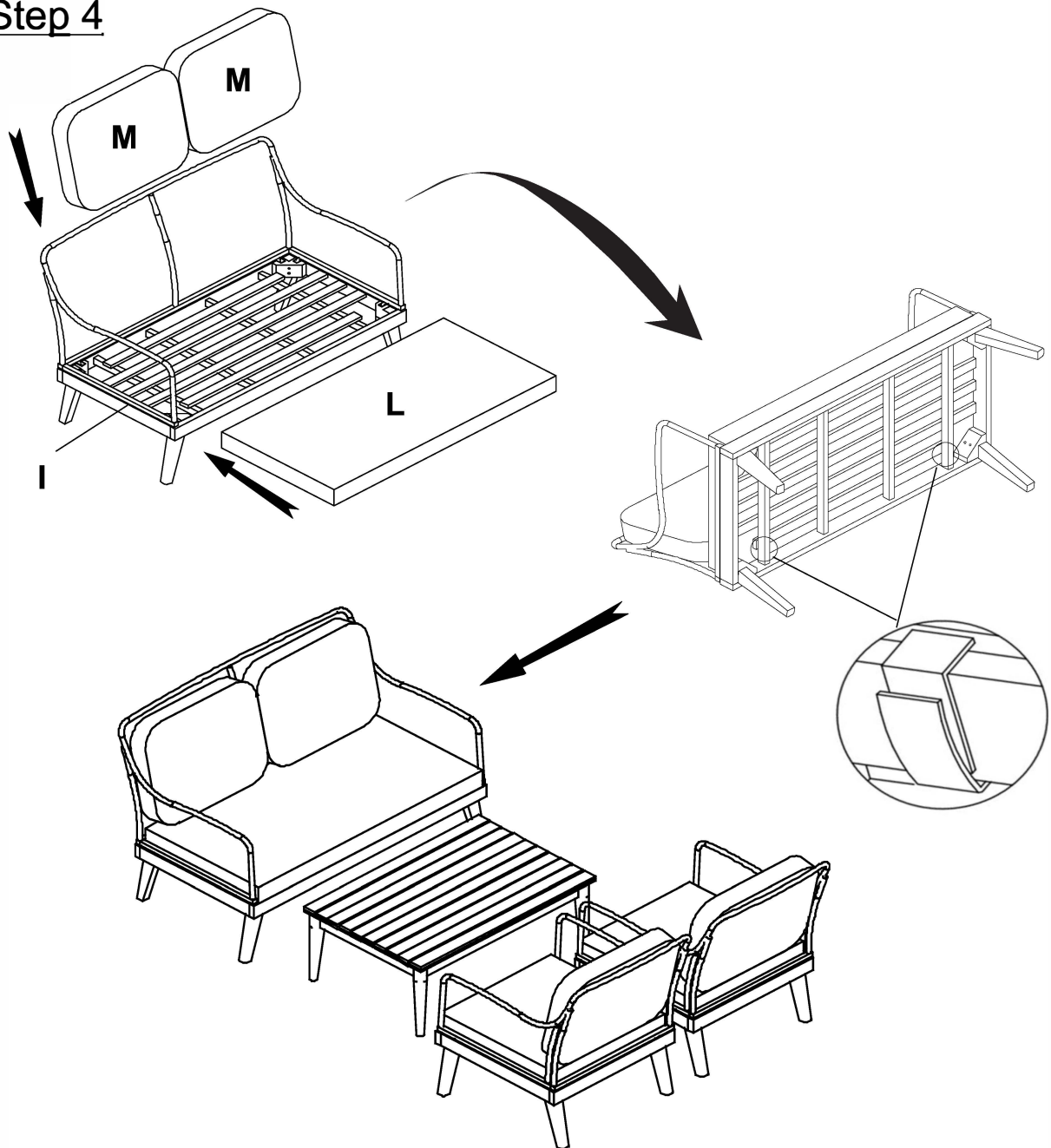
DO NOT tighten any Bolt fully and then move on towards the next one.

If there are any wobbles after tightening, loosen the Bolts and execute this same process.

Adjust the Levelers until the Loveseat is level with the ground.

To adjust the Levelers, get assistance from an adult partner to lift/lean and hold the Loveseat while you are working.

Step 4














Place the Seat Cushion (L) and the Backrest Cushion (M) onto the Loveseat as shown above.

Tie the magic tape straps of Seat Cushion (L) to the slats of Seat Frame (I). Your Loveseat is ready for use.

This Loveseat can only be used on a flat, level surface.

Care & Maintenance:

- ⊘  • Prolonged exposure to rain may cause rusting which can stain floors.
- ⊘  • DO NOT put hot items directly on furniture surface.
- ⊘  • DO NOT clean furniture with harsh cleansers or polish.
- ✓  • To obtain the longest lifespan of your outdoor products, minimizing exposure to direct sunlight is recommended.
- ⊘  • Children should not climb or jump on the furniture.
- ⊘  • DO NOT write on furniture without a padded barrier to protect the surface.
- ✓  • To obtain the longest lifespan of your outdoor products, avoid extended and lengthy exposure to rain, snow, and direct sunshine. Whenever possible cover the product and / or place under patio or awnings.
- ⊘  • Not for commercial use. For residential use only.
- ⊘  • Stains may be removed with mild soap solution and damp cloth.
- ✓  • Keep away from sources of ignition.
- ✓  • Dust and pick-up spill using a clean, non-colored, lint-free cloth.