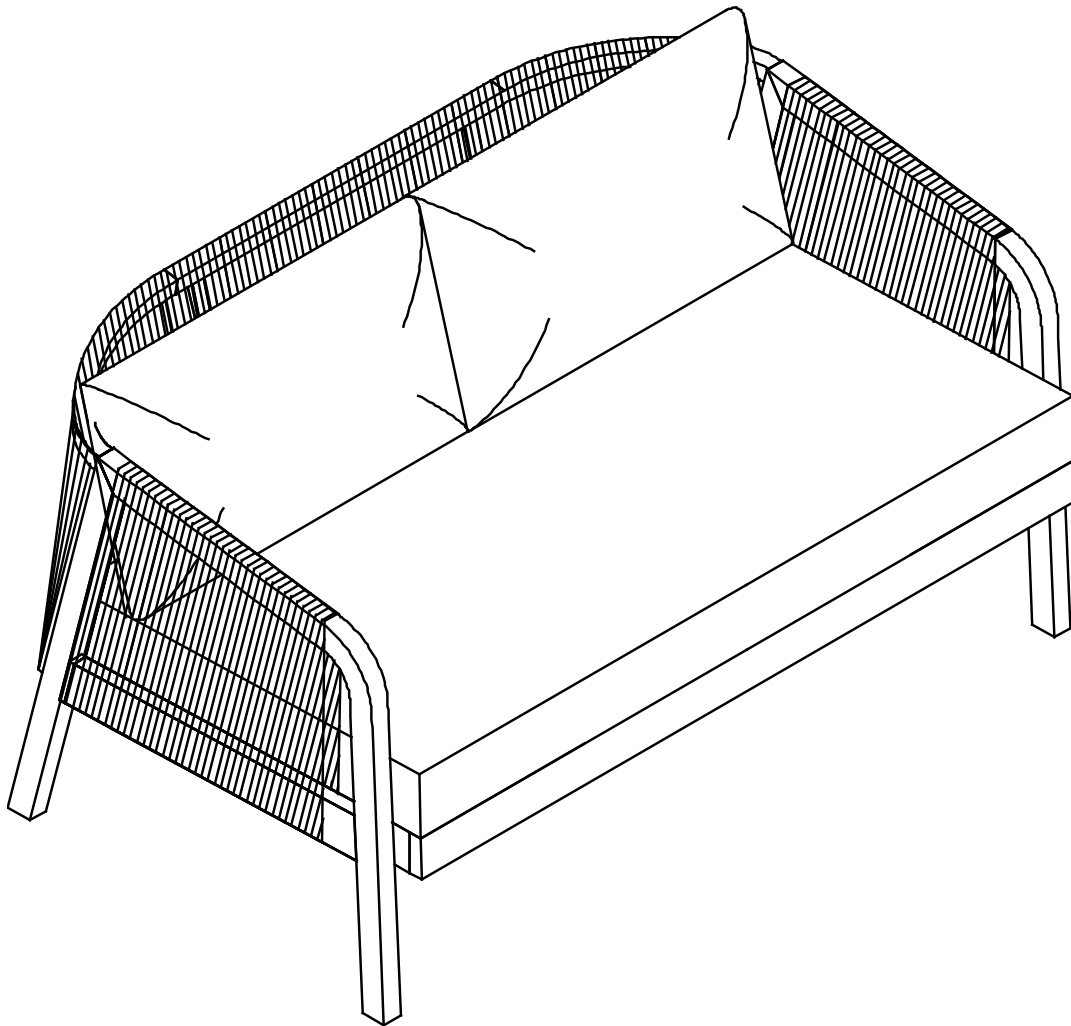


# Assembly Instructions

**CAUTION:** You must read this **Assembly Instructions** before you proceed.

Please look in the **Seat Panel** for hardware packs.

## Loveseat

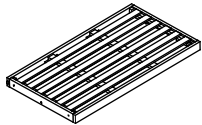


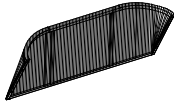
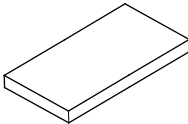
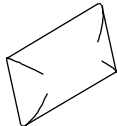


**CAUTION:** This Loveseat is NOT a TOY.


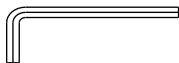
Keep your child / children at bay during the assembly process.

Whenever lifting or moving the Loveseat and to prevent any damage to it, two adults may be needed to execute these actions.

## Part List

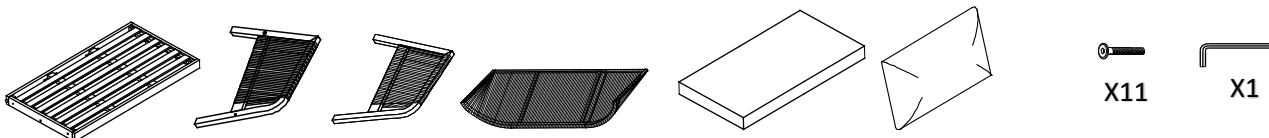
Label	Picture	Description	QTY
K		Seat Panel	1
L		Right Leg Panel	1
M		Left Leg Panel	1
N		Backrest Panel	1
O		Seat Cushion	1
P		Back Cushion	2

## Hardware

Label	Picture	Description	QTY
⑥		Bolt (M6x40mm)	11
⑦		Allen Wrench	1

## Assembly Preparation

Before Beginning Assembly:



- Read instructions, cover to cover-



- Have 2 adults on hand for assembly-



- Do not assemble on flooring or carpet-



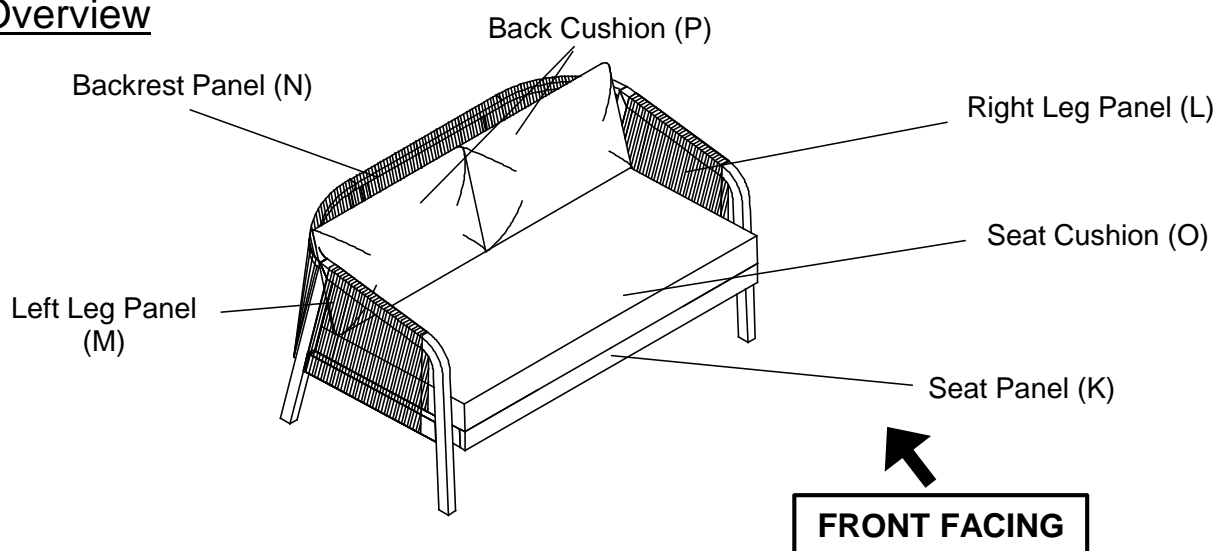
- Assemble on a clean non-marring surface (packing foam)-



- Save all packaging until finished-

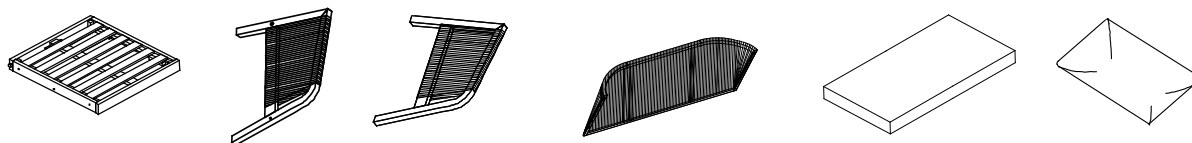
# Assembly Steps

## Overview



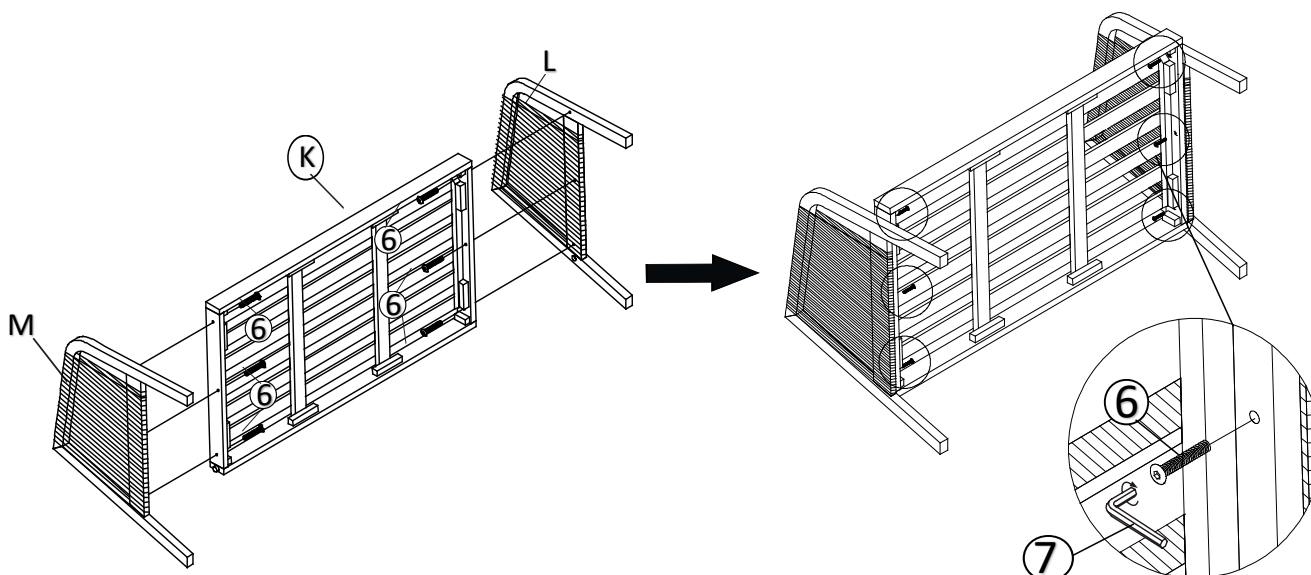
This Loveseat has multiple parts and may require up to 45 minutes to assemble. To give you an overview of the Loveseat parts, the above picture is provided to help you put the various parts into perspective. Please read through the instructions below to familiarise yourself with the parts and steps before assembly.

## Step 1



Unpack and place all parts on a clean, non-marring surface.

## Step 2



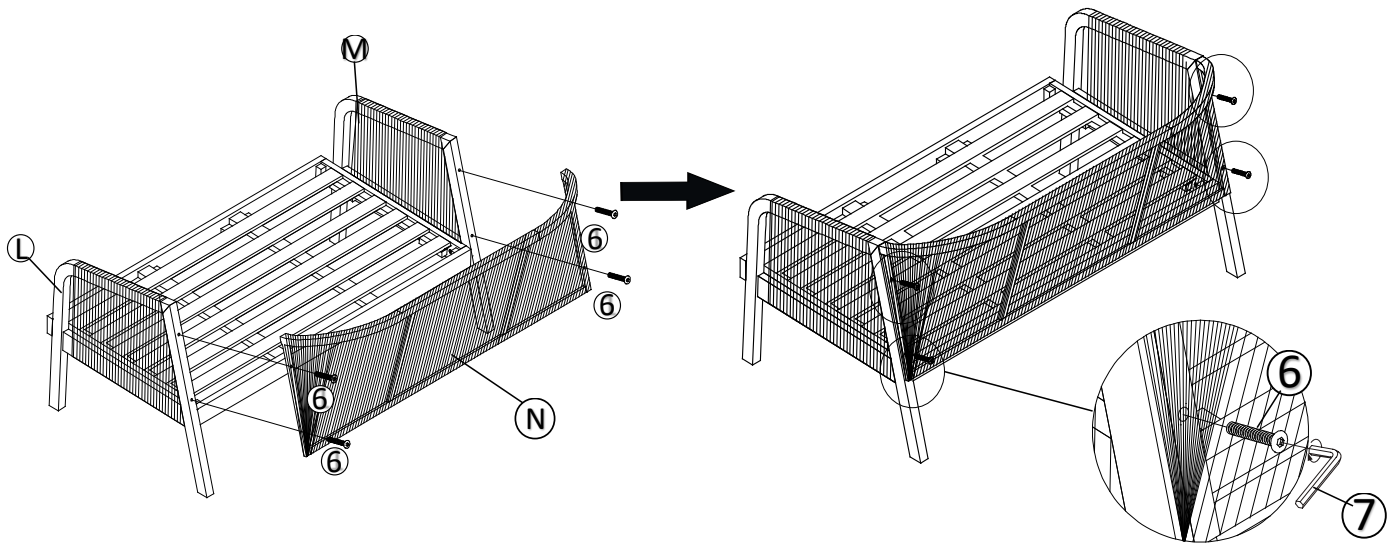
With assistance from your adult partner(s), place the Seat Panel (K) upright as shown in the pictures above onto a clean, soft surface to avoid any scratches or damage to the product.

Attach the Right Leg Panel (L) to the Seat Panel (K) using Bolts (6) and the Allen Wrench (7) as shown in the pictures above.

Repeat the same process with the Left Leg Panel (M)

**Do not fully tighten the Bolts at this time.**

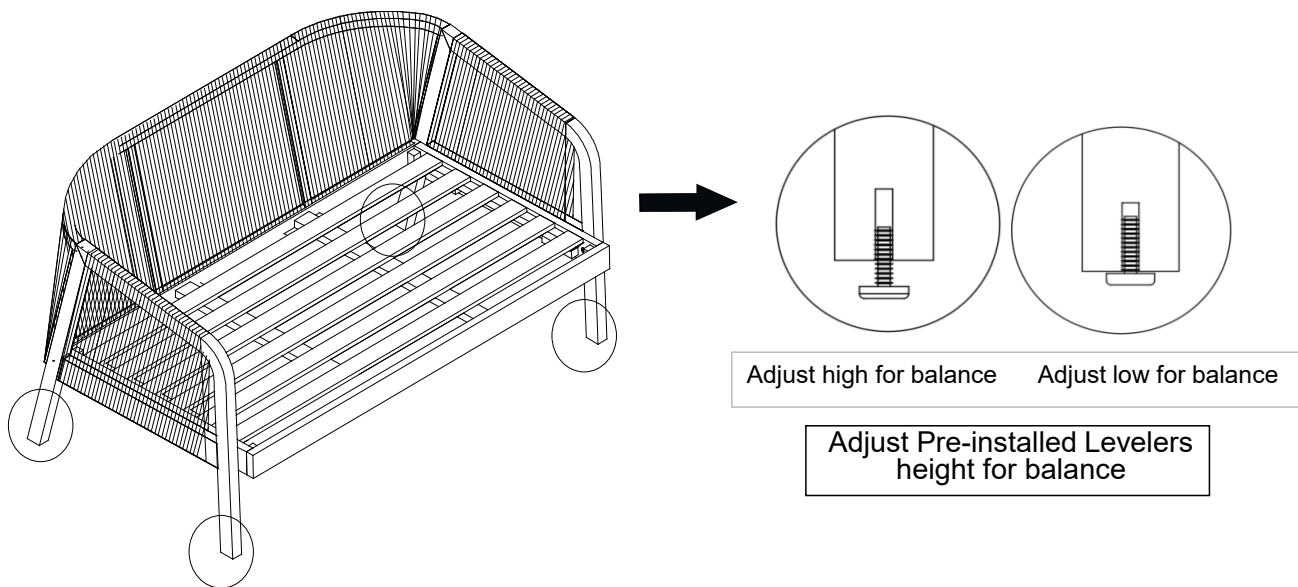
### Step 3



With assistance from your adult partner(s), turn the assembled parts in step 2 upright. Attach the Backrest Panel (N) to the assembled parts in step 2 using Bolts (6) and the Allen Wrench (7) as shown above.

**Do not fully tighten the Bolts at this time.**

### Step 4



Inspect the Loveseat and make sure all parts are adequately connected.

In a sequential manner, tighten all bolts at all joints.

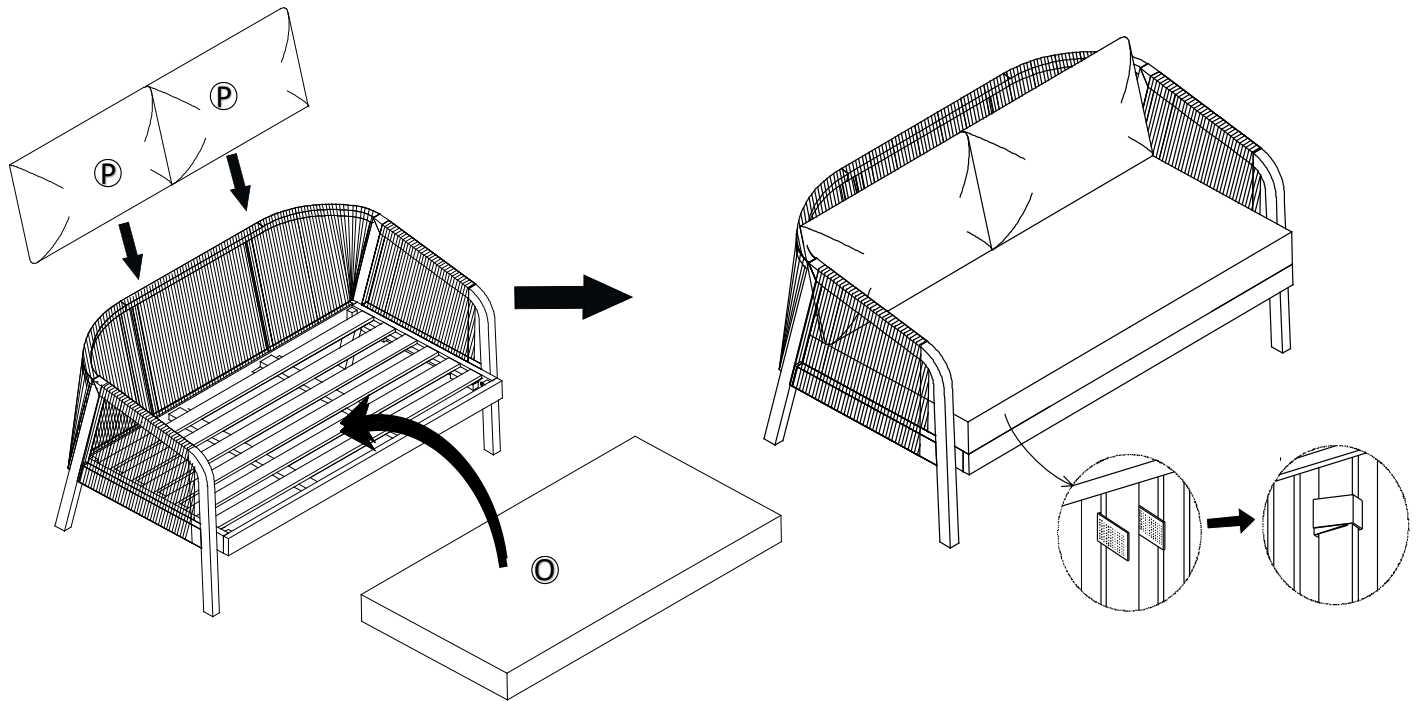
With assistance from your adult partner, adjust the Levelers to the desired height to avoid wobbles.

**CAUTION : When tightening these bolts, tighten sequentially.**

**DO NOT** tighten any bolt fully and then move towards the next one. This could cause the frame to warp.

**WARNING!! IF THE LOVESEAT IS NOT STABLE , IT COULD LEAD TO DAMAGING THE PRODUCT.**

## Step 5























Place the Seat Cushion (O), then the Back Cushion (P) onto the Loveseat, and affix the magic tape straps around the Loveseat as shown above.

**Your Loveseat is ready to be used.**

**This Loveseat can only be used on a flat, level surface.**

## Care & Maintenance

-   ● Do not put hot items directly on furniture surface
-   ● Do not clean furniture with harsh cleansers or polish.
-   ● To obtain the longest lifespan of your outdoor products, minimizing exposure to direct sunlight is recommended.
-   ● Children should not climb or jump on the furniture.
-   ● Do not write on furniture without a padded barrier to protect the surface.
-   ● To obtain the longest lifespan of your outdoor products, avoid extended and lengthy exposure to rain, snow, and direct sunshine. Whenever possible cover the product and /or place under patio or awnings.
-   ● Not for commercial use. For residential use only .
-   ● Stains may be removed with mild soap solution and damp cloth.
-   ● Keep away from sources of ignition.
-   ● Dust and pick-up spills using a clean, non-colored, lint-free cloth.