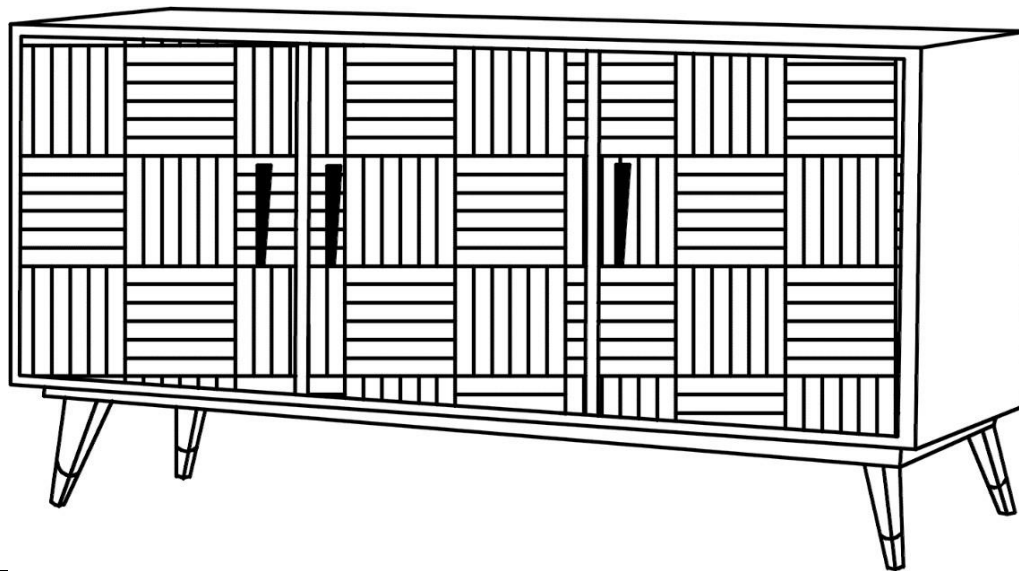


Assembly Instructions

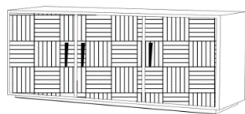

Caution: •You must read this before you proceed.

•Furniture may scratch wooden floors. We recommend using furniture pads to protect your floors.


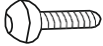

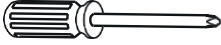


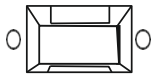
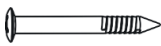


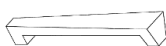
SIDEBOARD



Parts List

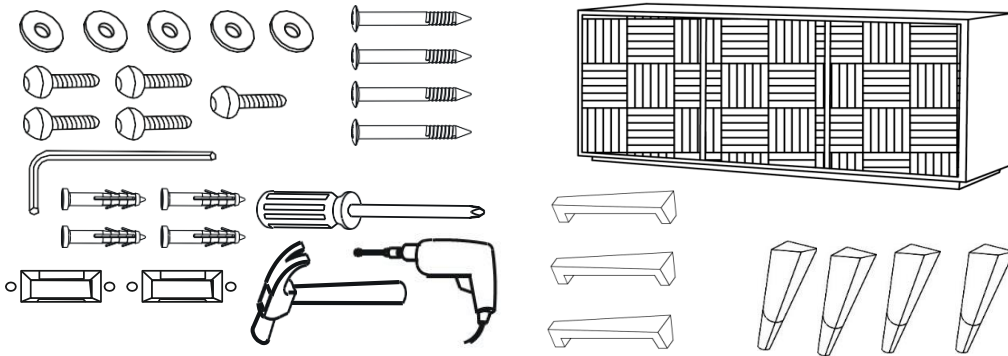
Label	Picture	Description	QTY
A		SIDEBOARD	1
B		LEG	4

Hardware

Label	Picture	Description	QTY
①		Washer (20mmx20mm)	5
②		Bolt (M15mmx35mm)	5
③		Allen Wrench	1
④		Screwdriver (Not Provided)	1
⑤		Hammer (Not Provided)	1
⑥		Power Drill (Not Provided)	1
⑦		Bracket (45mmx20mm)	2
⑧		Wall Plug Screw (M8mmx28mm)	4
⑨		Wall Plug (M5mmx32mm)	4
⑩		Restraint Strap	2
⑪		Handle	3

Assembly Preparation

Before Beginning Assembly:



- Read instructions, cover to cover-



- Have 2 adults on hand for assembly-



- Do not assemble on flooring or carpet-



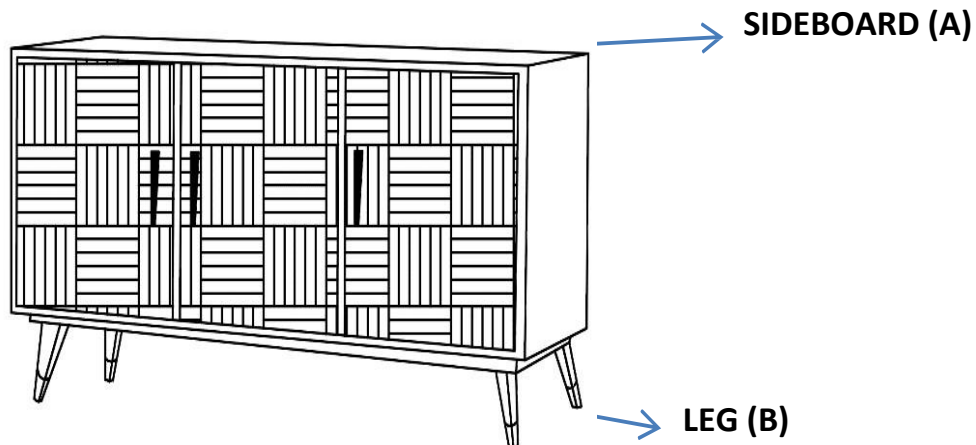
- Assemble on a clean non-marring surface (packing foam)-



- Save all packaging until finished-

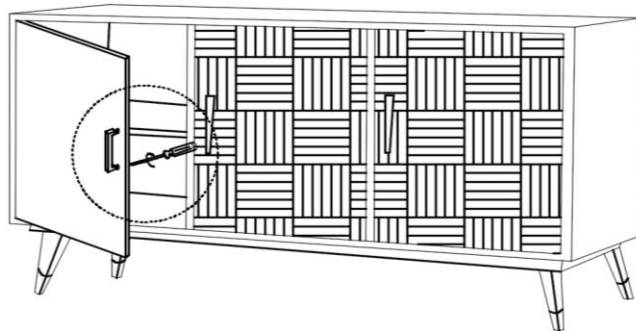
Assembly Steps

Overview



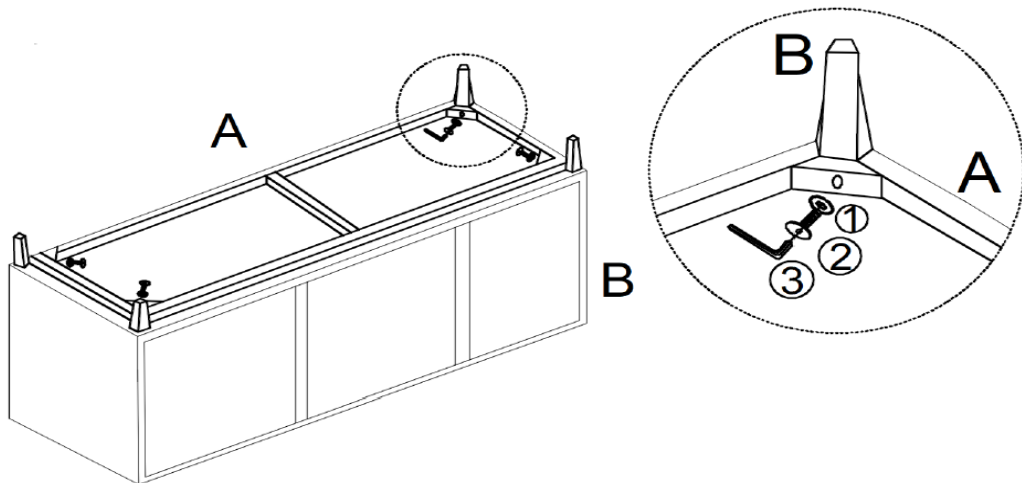
This Sideboard has multiple parts and may require up to some 30 minutes to assemble. To give you an overview of the Sideboard parts, the above picture is to help you put the various parts into perspective. Please read through the instructions below to familiarise yourself with the parts and steps before assembly.

Step 1



Install the Handle (11) on the door with the help of Screwdriver (4) in the clockwise direction as the pictured above. Repeat the step for all the door and attach the Handle (11).

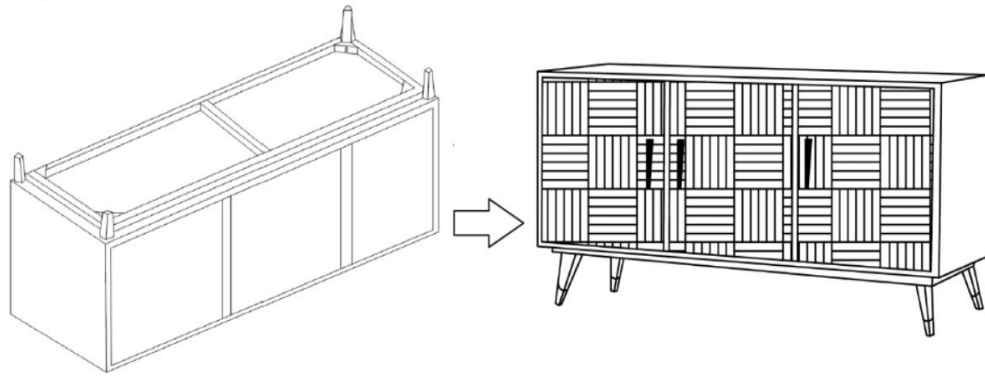
Step 2



With assistance from your adult partner, place the Sideboard(A) face down as picture on clean surface. As shown in “Step3” picture attach Leg (B) to Sideboard (A) using Washer (1), Bolt (2) with Allen Wrench (3). Repeat “Step3” to assemble the other remaining Legs (B).

DO NOT FULLY THIGHTEN THE BOLTS.

Step 3



Upon assembly of all Legs (B), place the Sideboard right side up. Place the Sideboard on a **LEVEL SURFACE**.

Inspect it and make sure all parts are adequately connected. You may be required to turn the Loveseat, to gain easy access to the secure points. Turn the Sideboard in a synchronised manner.

CAUTION 1: When tightening these Bolts, tighten sequentially.

DO NOT tighten any bolt fully and then towards the next one.

This would cause the frame to warp.

If there is still wobbling, loosen the bolts and execute this same process.

WARNING!! IF SIDEBOARD IS NOT STABLE , IT COULD LEAD TO DAMAGING THE PRODUCT.

Ensure all bolts are fully locked into position.

The Sideboard is ready to be used.

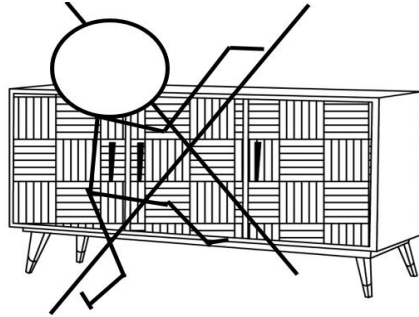
CAUTION 2: This Sideboard can only be used on a flat, level surface.

Tipover Restraint Device Installation Instructions

WARNING

Serious or fatal crushing injuries can occur from tipping furniture.
To help prevent tip-over: **ALWAYS** secure this furniture to the wall using Tipover Restraint Device.

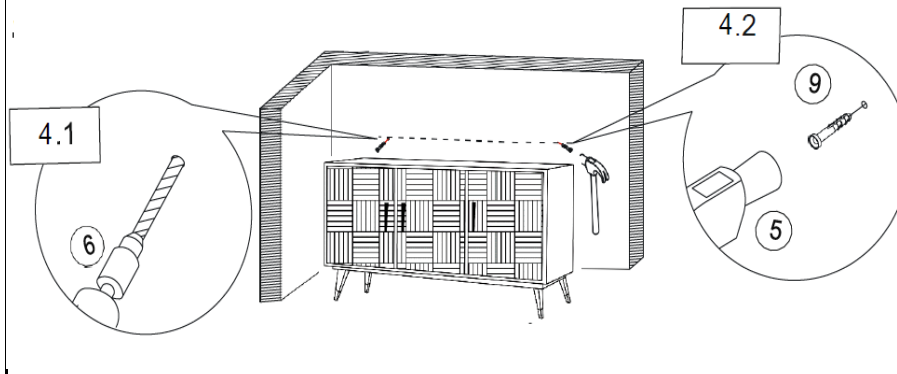
See product instructions for more ways to help prevent furniture tip-over.



Usage for Tipover Restraint Device:

To secure Sideboard against wall, attach two Brackets (7) on wall and Two Brackets (7) already attached on the product, Use Restraint Strap (10) to connect the Brackets (7) .

Step 4



4.1) Drill two holes on wall at same height as Bracket (7) on Sideboard (A) with the Power Drill (6).

You can mark these points in the ways as below:

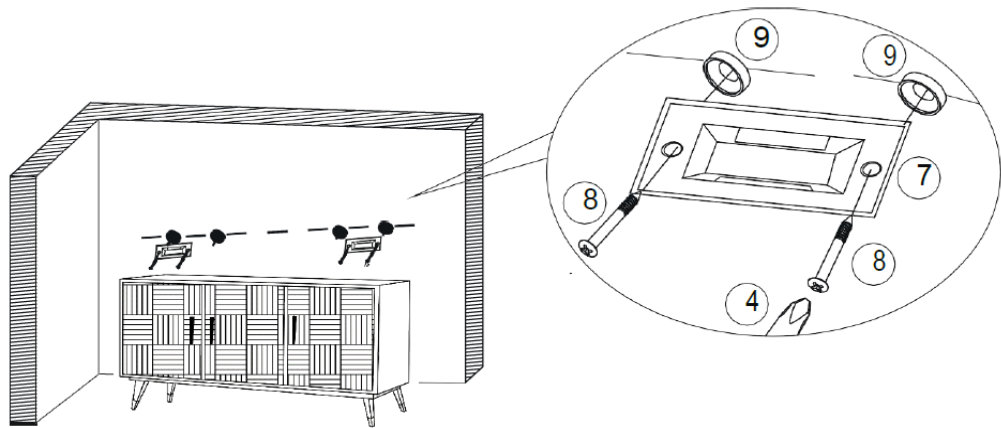
1) Move the Sideboard back to the wall. Mark two point same height as Sideboard on the wall.

Note : The brackets need to be secured to solid ,load bearing surface. Please use a stud finder (not supplied) if needed to locate the wall frame.

2) Measure the height of the Brackets with ruler/measuring tape and mark on wall to keep them accurate and same height.

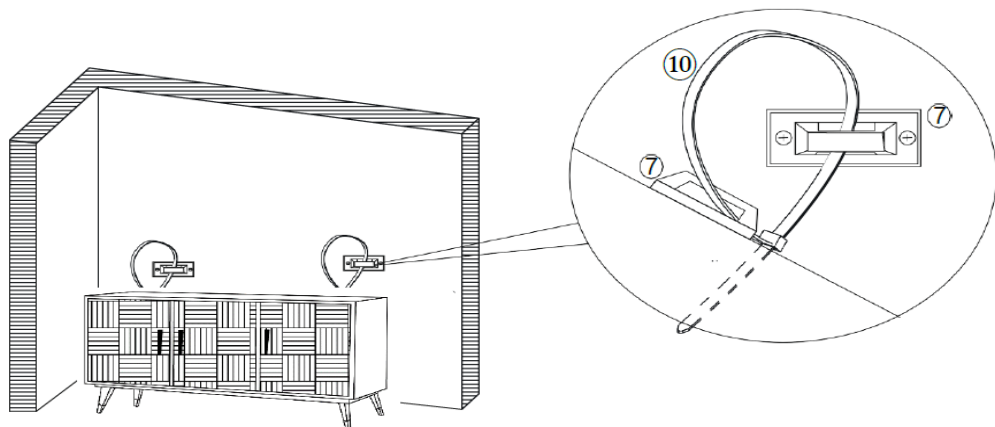
4.2) Insert Wall Plugs (9) into drilled holes on wall with Hammer (5).

Step 5



Attach Brackets (7) to Wall Plugs (9) using Wall Plug Screws (8) with Screwdriver (4).

Step 6



Move Side board to the wall and pull the Restraint Straps (10) through the Brackets(7) on the wall and Sideboard one by one. Pull the Restraint straps tight. This Sideboard is now ready to use.

Caution: This Sideboard can only be used on flat , level surface.

Care & Maintenance



- Furniture may scratch floors. We recommend using furniture pads to protect your floors.



- Do not put hot items directly on furniture surface.



- Do not clean furniture with harsh cleansers or polish.



- Do not place furniture under direct sunlight.



- Do not place furniture near heating or cooling vents.



- Do not write on furniture without a padded barrier to protect the surface.



- Do not place furniture outside . For indoor use only.



- Not for commercial use. For residential use only.



- Stains may be removed with mild soap solution and damp cloth.



- Children should not climb or jump on the furniture.



- Dust and pick-up spills using a clean, non-colored, lint-free cloth.