

WARNING!!

Children have died from furniture tipovers. Tip restraints have been included with this product; you must install the tip restraints according to these instructions in order to minimize the risk of furniture tipping. If you have any questions about this product or the tip restraint, please send us an email at tip_restraint_help@Noblehousefurniture.com

NEVER allow children to climb or hang on furniture, including drawers or cabinet doors.

In addition to installing the restrains, to help prevent tipovers

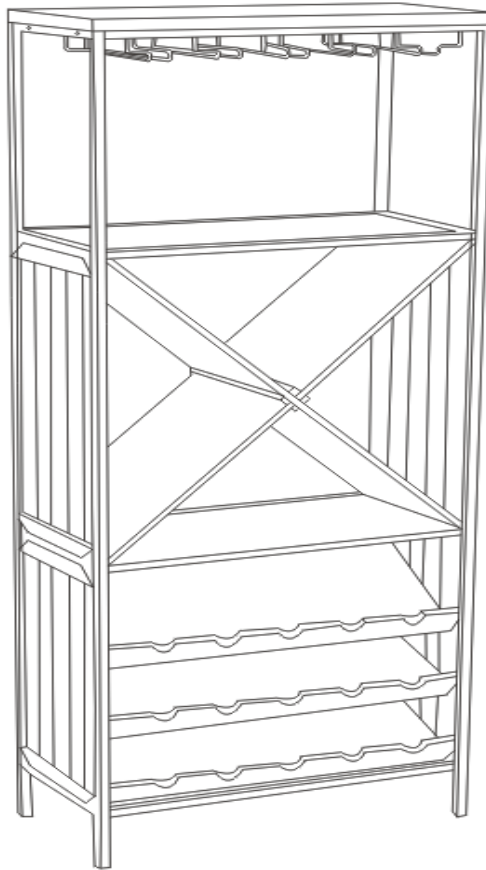
1. **NEVER** put a **TV** or other heavy objects on top of this product".
2. Do not stand on the products.

 WARNING	
	<p>Children have died from furniture tipover. To reduce the risk of furniture tipover:</p> <ul style="list-style-type: none">• ALWAYS install tipover restraint provided.• NEVER put a TV on this product.• NEVER allow children to stand, climb or hang on drawers, doors or shelves.
	<ul style="list-style-type: none">• NEVER open more than one drawer at a time.• Place heaviest items in the lowest drawers.• Do not defeat or remove the drawer interlock system. <p><i>This is a permanent label. Do not remove!</i></p>

Assembly Instructions


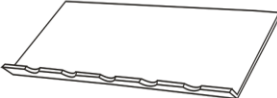

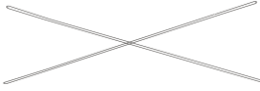
Caution : You must read this before you proceed

WINE CABINET

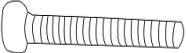




Parts List





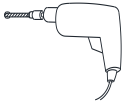
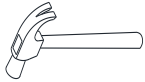

Label	Picture	Description	QTY
A		Glass Holder	1
B		Left Side Frame	1
C		Right Side Frame	1
D		Metal Frame	2
E		Wooden Panel	1

F		Wooden Panel	2
G		Wooden Wine Rack	3
H		Bottom Metal Frame	1
I		Metal Back Support	1

Hardware

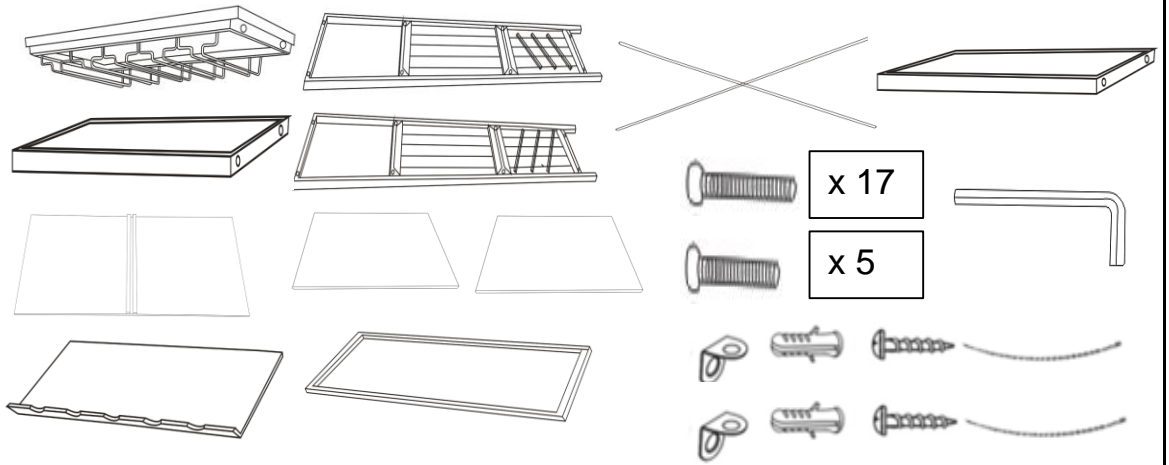
Label	Picture	Description	QTY
①		Bolt (M6X30mm)	17
②		Bolt (M6X16mm)	5
③		Allen Wrench	1

Restraint Device Hardware

⑤		Screw (50mm Self Tapping)	2
⑥		L-shape Metal Bracket	2
⑦		Restraint Strap	2
⑧		Screwdriver (Not provided)	1
⑨		Power Drill (Not provided)	1
⑩		Hammer (Not provided)	1
⑪		Plastic Anchor	2

Assembly Preparation

Before Beginning Assembly:



- Read instructions, cover to cover-



- Have 2 adults on hand for assembly-



- Do not assemble on flooring or carpet-



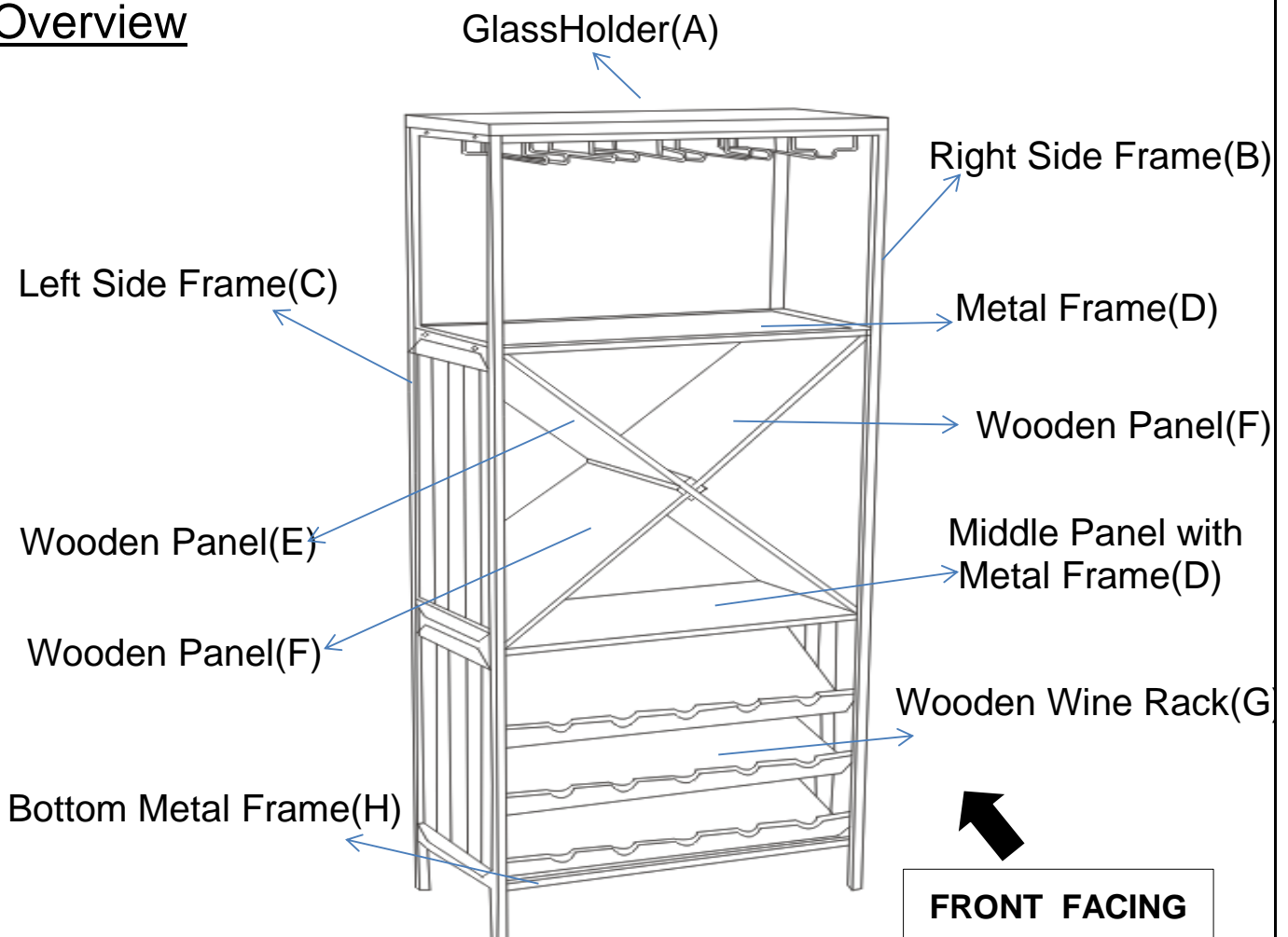
- Assemble on a clean non-marring surface (packing foam)-



- Save all packaging until finished-

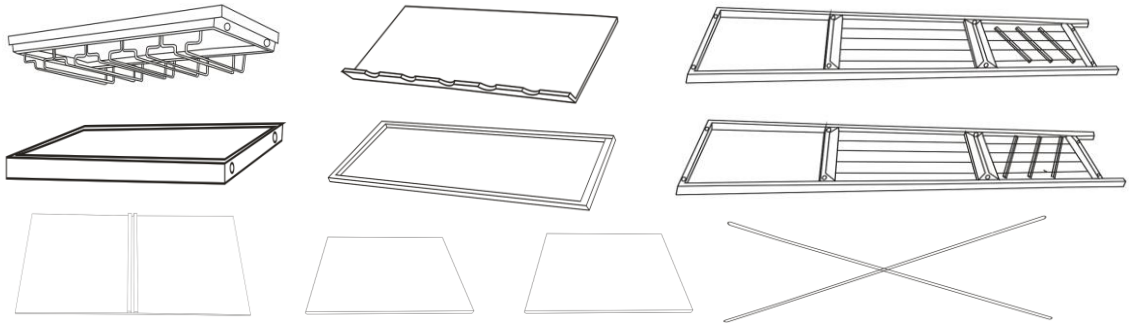
Assembly Steps

Overview



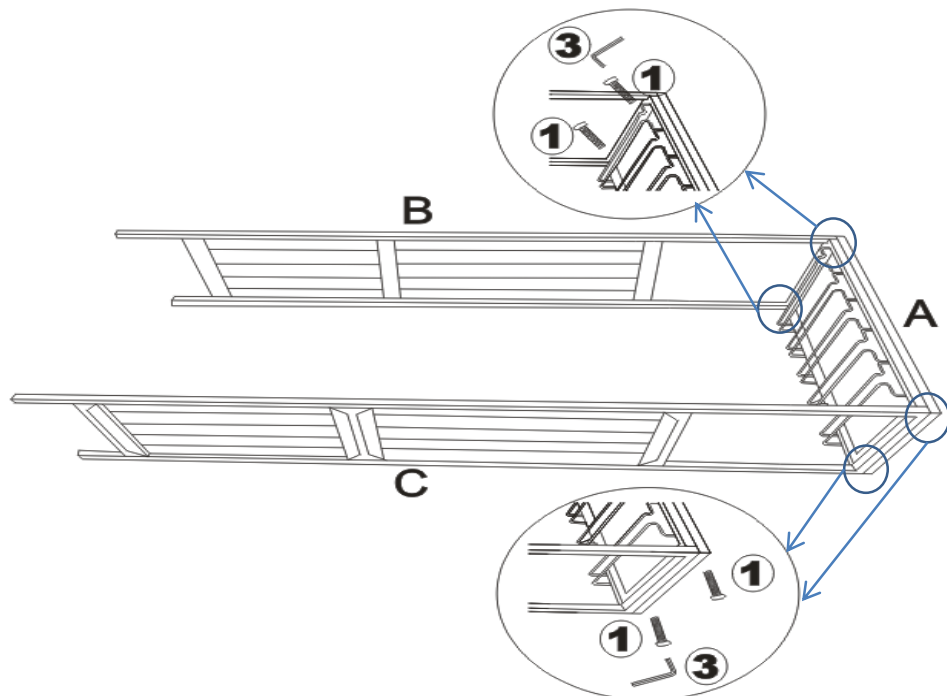
This Wine Rack has multiple parts and may require up to 30 minutes to assemble. To give you an overview of the Wine Rack parts, the above picture is to help you put the various parts into perspective. Please read through the instructions here below to familiarise the parts and steps before assembly.

Step 1



Unpack and place all parts on a clean, non-marring surface.

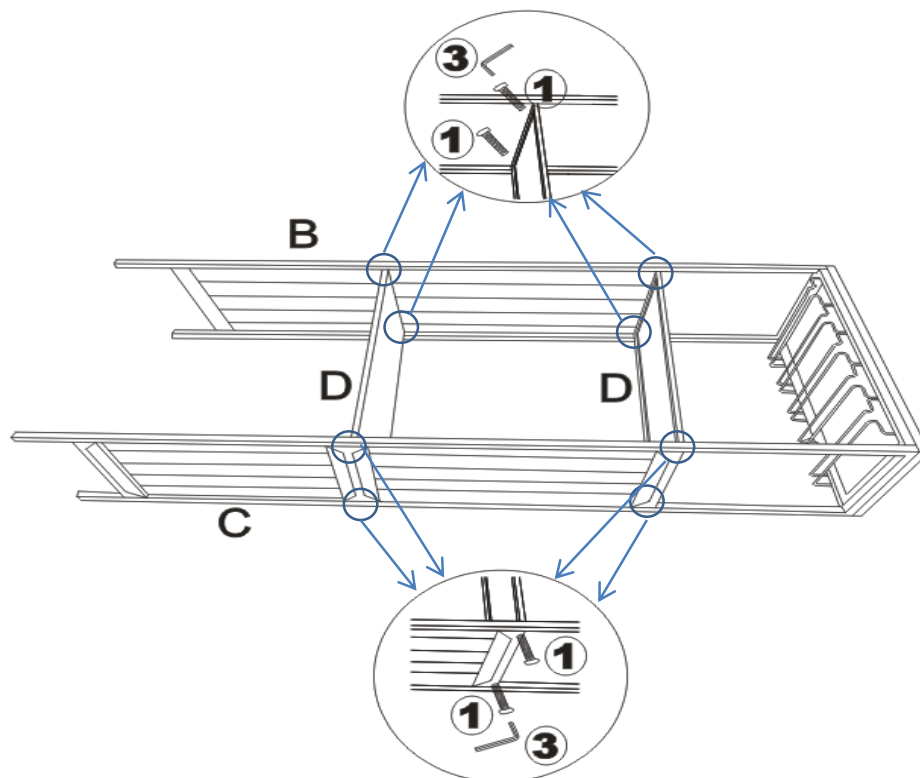
Step 2



Align the mountings on the Left Side Frame(B) and Right Side Frame(C) to the Glass Holder(A) as shown above, using the Bolts(①) with the Allen Wrench(③).

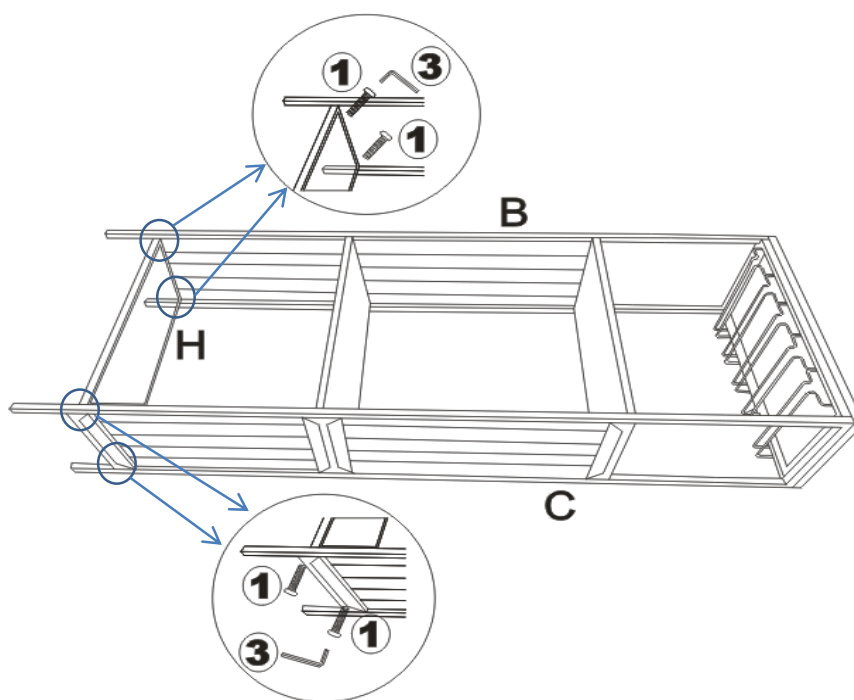
Do not fully tighten the Bolts.

Step 3



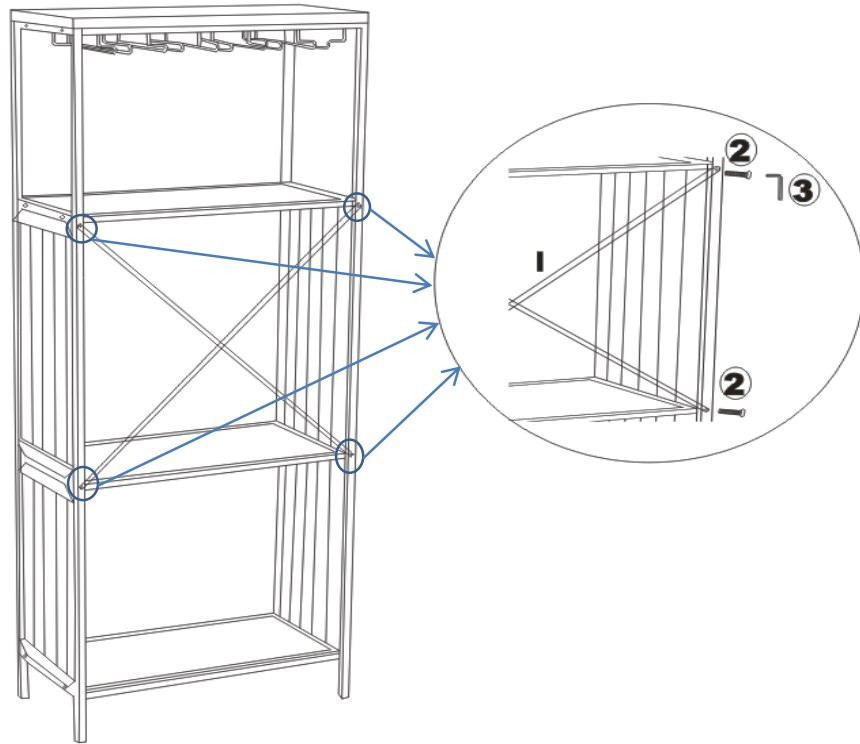
Then affix the Metal Frame(D) to the Left Side Frame(B) and Right Side Frame(C) as shown above, using the Bolts(①) with the Allen Wrench(③).
Do not fully tighten the Bolts.

Step 4



Then affix the Bottom Metal Frame(H) to the Left Side Frame(B) and Right Side Frame(C) as shown above, using the Bolts(①) with the Allen Wrench(③).
Do not fully tighten the Bolts.

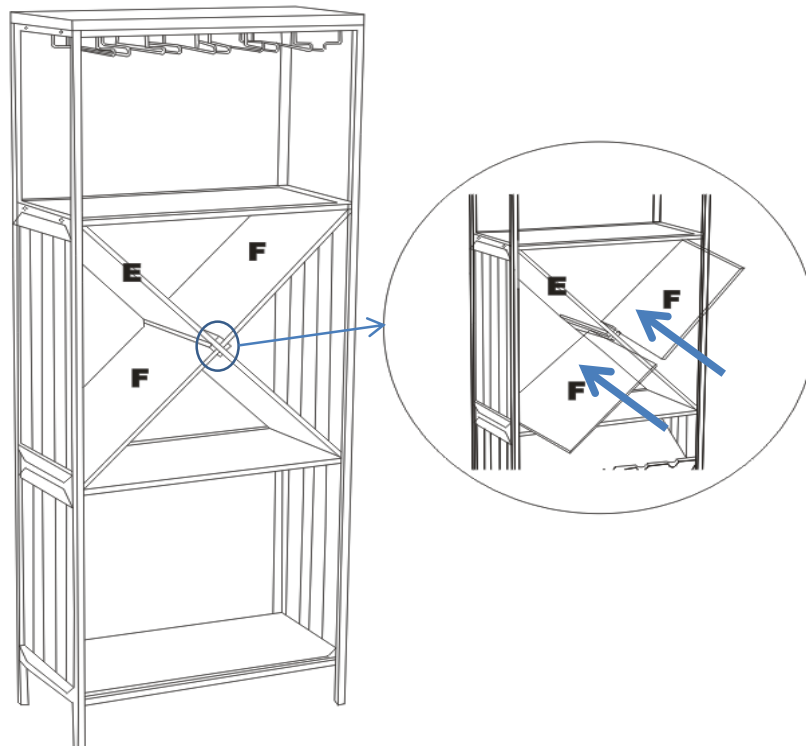
Step 5



Attach the Metal Back Support(I) to the back of the cabinet,using the Bolts(②) with the Allen Wrench(③).

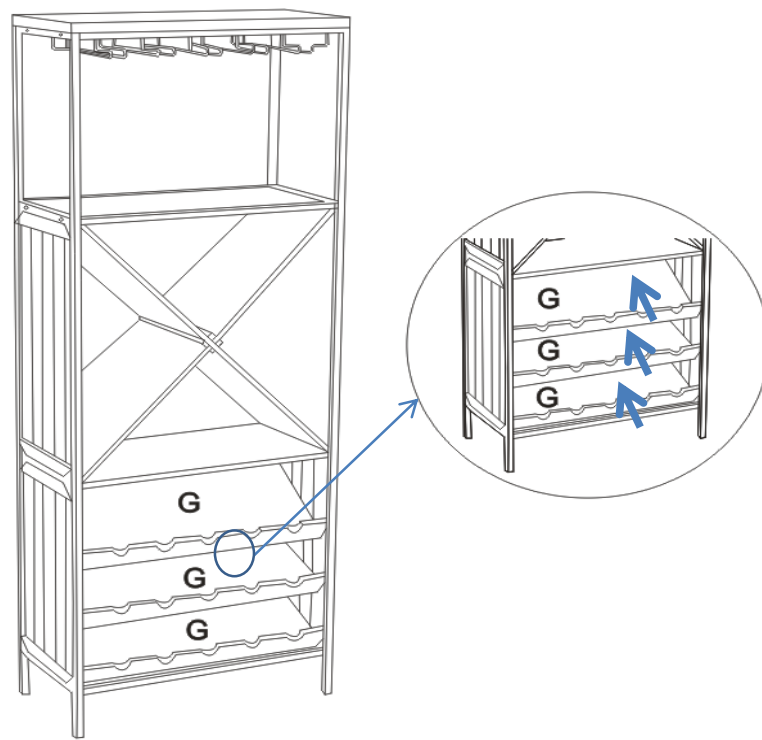
Tighten the Bolts fully in a sequential manner.

Step 6



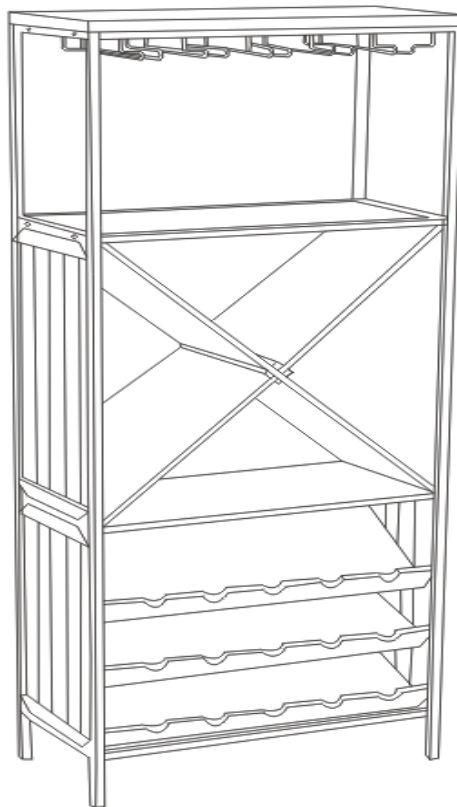
Turn the WINE RACK back around, facing the front. Then insert the Wooden Panels(E)&(F)into the rack,to install it as shown above.

Step 7



Then put the 3 pcs of Wooden Wine Racks(G)into the rack, to install it as shown above.

Step 8



Your WINE RACK is ready for use.

Caution:This WINE RACK can only be used on a flat, level surface.

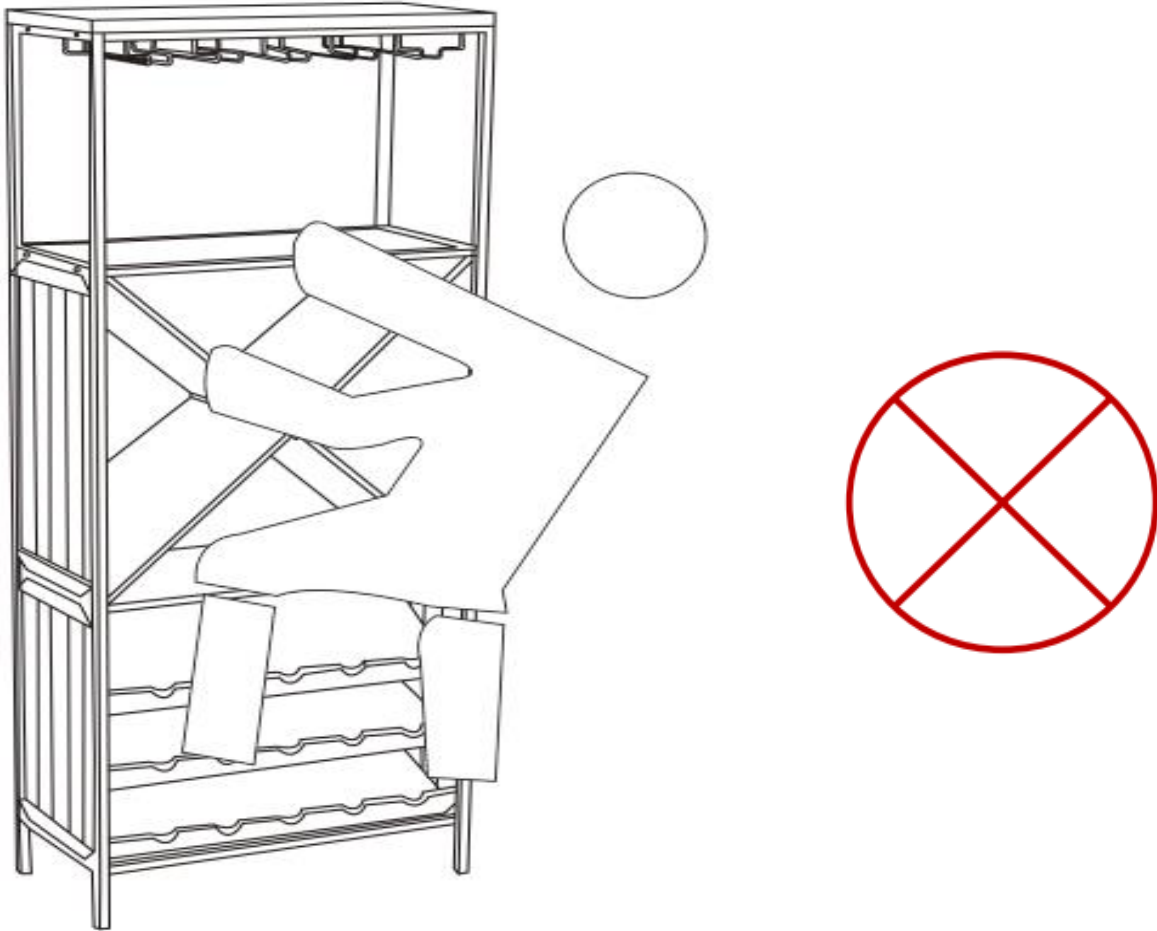
Tipover Restraint Device Installation Instruction

WARNING

Serious or fatal crushing injuries can occur from tipping furniture.

To help prevent tip-over: ALWAYS secure this furniture to the wall using the Restraint Device.

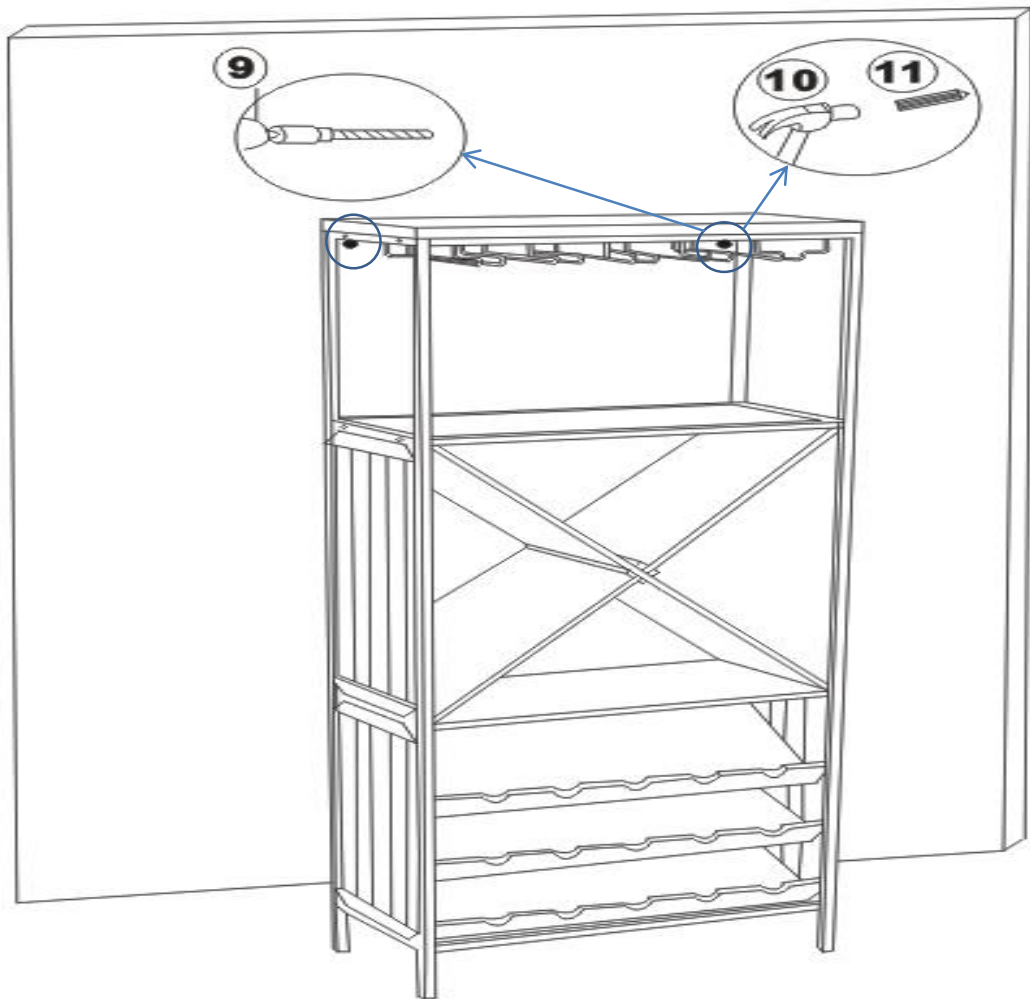
See product instructions for more ways to help prevent furniture tip-over.



Usage For Rack Restraint Device:

To secure the WINE RACK against wall, attach the 1pc L-shape Metal Bracket((6)) on the wall, use the Restraint Straps((7)) to connect the L-shape Metal Brackets((6)) and the Rings on the back of the WINE RACK.

Step 1



1.1) Drill two holes on the wall at the same height as the Ring on the back of the rack using the Power Drill((9))

(Caution: The distance from Brackets to ground should be 34")

You can mark this point in two ways as below:

1) Move the WINE RACK back to the wall. Mark a point on the wall at the same height as the WINE RACK.

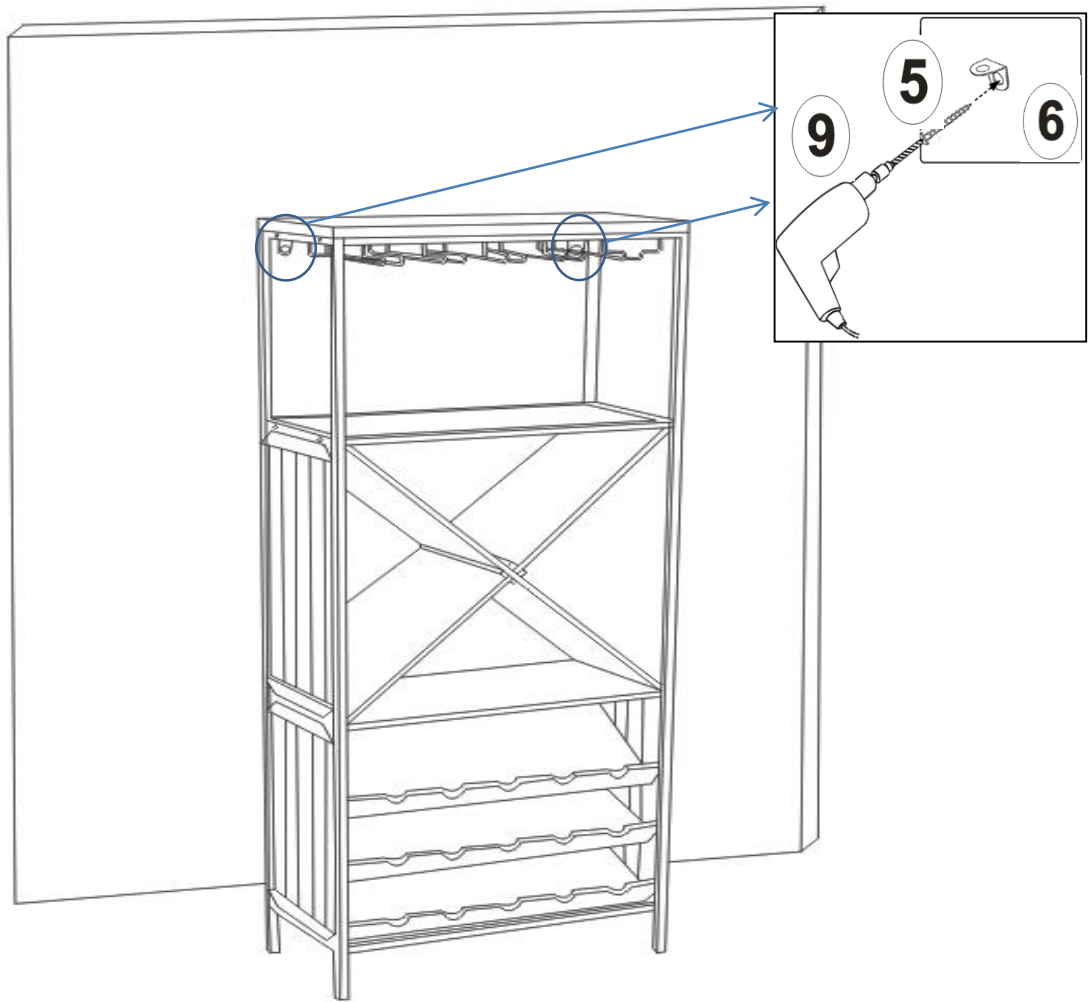
Note: The Metal Bracket needs to be secured to a solid, load bearing surface.

Please use a Stud Finder(not supplied) if needed to locate the Wall Frame.

2) Measure the height of the ring on the rack with a ruler/measuring tape, then measure the same height on the wall for the L-shape Metal Bracket((6)) and mark on the wall to keep it accurate.

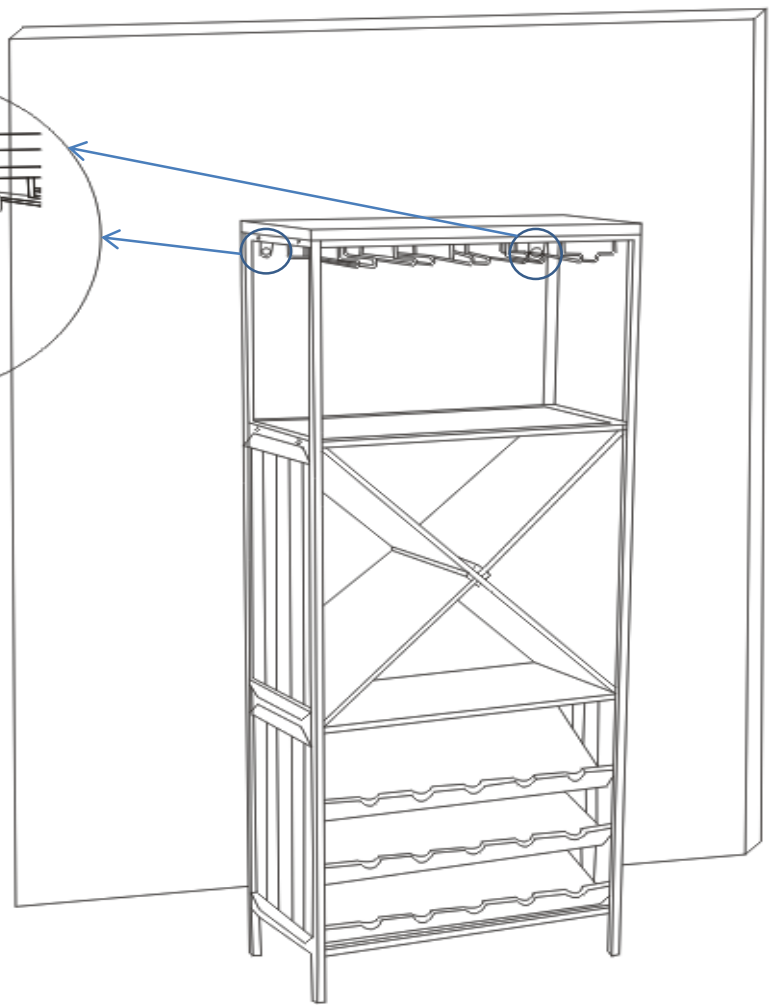
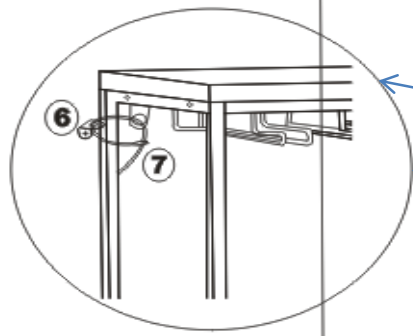
1.2) Attach a Plastic Anchor((11)) to the hole on the wall using a Hammer((10)).

Step 2



Attach the L-shape Metal Bracket(⑥) to the Plastic Anchor (⑩) using a Screw(⑤) with the Power Drill(⑨)

Step 3



Move the WINE RACK back against wall.

Pull the Restraint Straps(⑥) through the L-shape Metal Brackets(⑦) on the wall and Rack, and pull the Restraint Straps(⑥) tight.

Your WINE RACK is ready for use.

Caution: This WINE RACK can only be used on a flat, level surface.

Care & Maintenance



- Furniture may scratch floors. We recommend using furniture pads to protect your floors.



- Do not put hot items directly on furniture surface.



- Do not clean furniture with harsh cleansers or polish.



- Do not place furniture under direct sunlight.



- Do not place furniture near heating or cooling vents.



- Do not write on furniture without a padded barrier to protect the surface.



- Do not place furniture outside . For indoor use only.



- Not for commercial use. For residential use only.



- Stains may be removed with mild soap solution and damp cloth.



- Children should not climb or jump on the furniture.



- Dust and pick-up spills using a clean, non-colored, lint-free cloth.