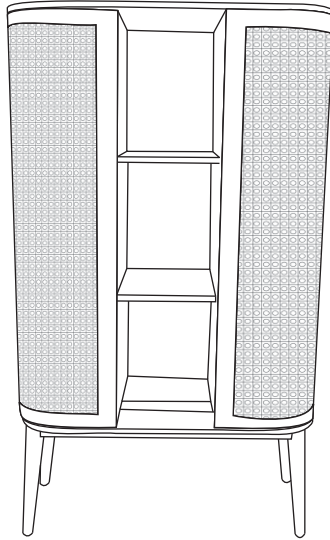


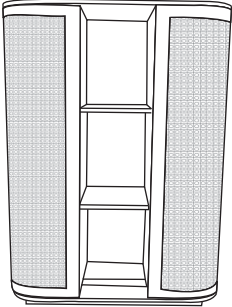
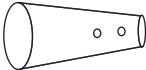
Assembly Instructions

Caution: You must read this before you proceed







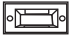



BOOKCASE



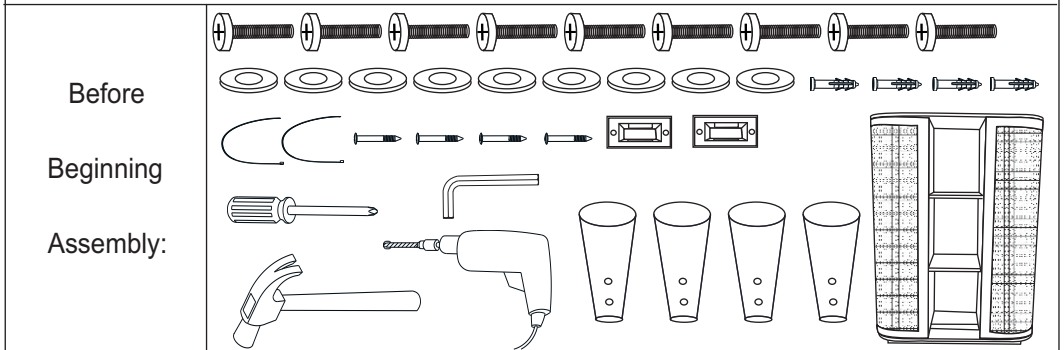
Parts List

Label	Picture	Description	Qty
A		Shelving Case	1
B		Leg	4

Hardware

Label	Picture	Description	Qty
①		Washer	9
②		Bolt [60 mm]	9
③		Allen key	1
④		Screwdriver (not provided)	1
⑤		Hammer (not provided)	1
⑥		Power Drill (not provided)	1
⑦		Bracket	2
⑧		Wall Plug Screw	4
⑨		Wall Plug	4
⑩		Tip-over Restraint Strap	2

Assembly Preparation



- Read instructions, cover to cover—



- Have 2 adults on hand for assembly—



- Do not assemble on flooring or carpet—



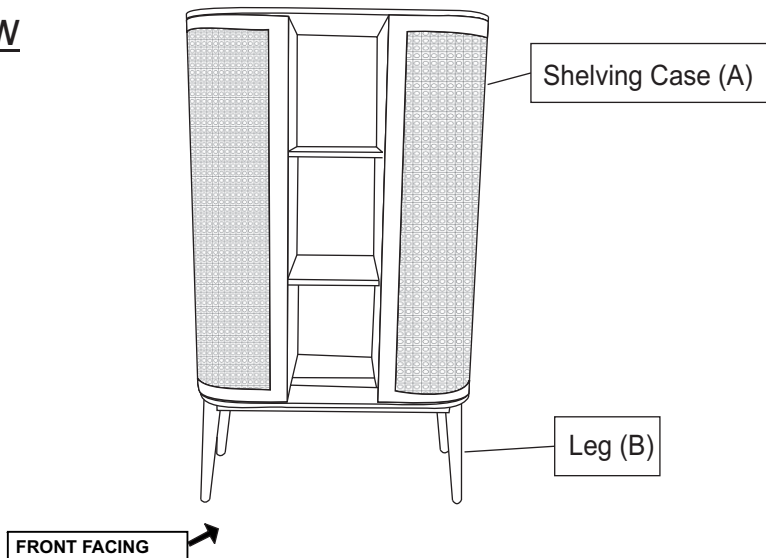
- Assemble on a clean non-marring surface (packing foam)—



- Save all packaging until finished—

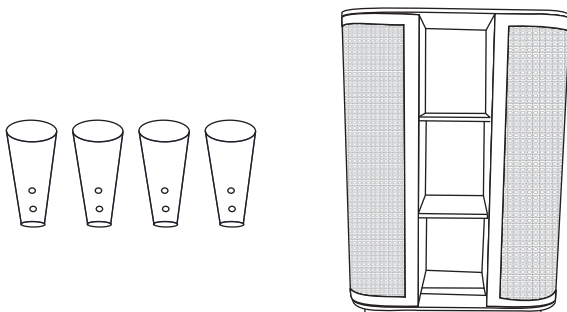
Assembly steps

Overview



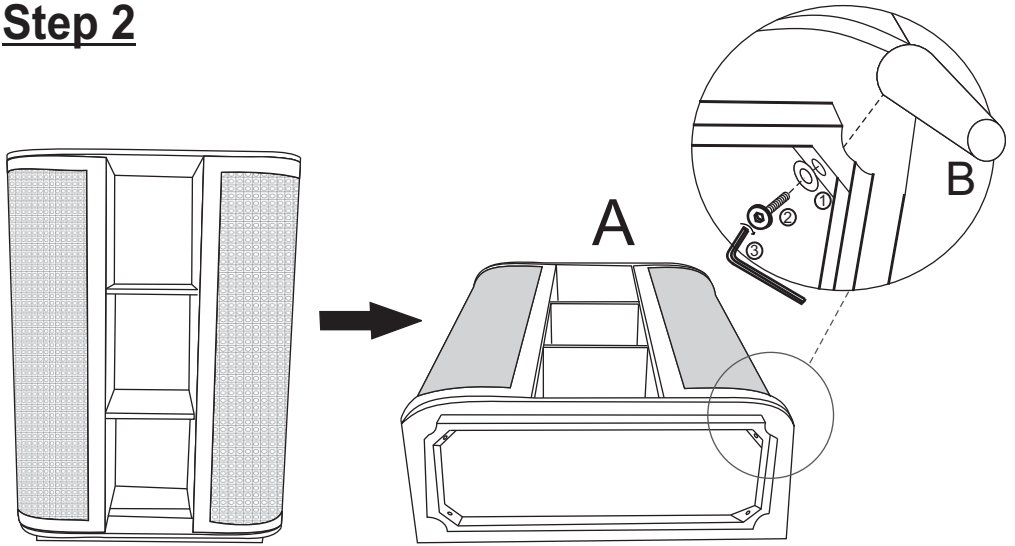
This Bookcase has multiple parts and may require up to some 30 minutes to assemble. The above picture is to help you in putting various parts into perspective. Please read through the instructions below to familiarise yourself with the parts and steps before assembly.

Step 1



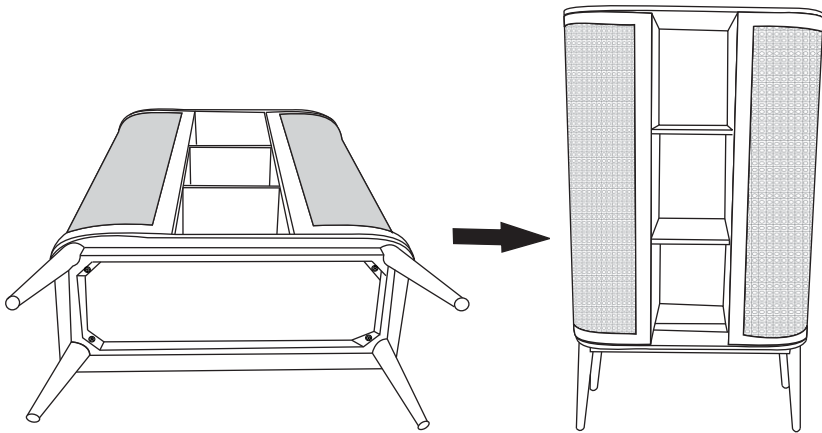
Unpack all the parts and place them on a clean non-marring surface.

Step 2



Flip the Shelving Case (A) as shown in the diagram above and Attach Leg(B) to Shelving Case (A) using Washer(①), Bolt(②) and Allen Key(③).

Step 3



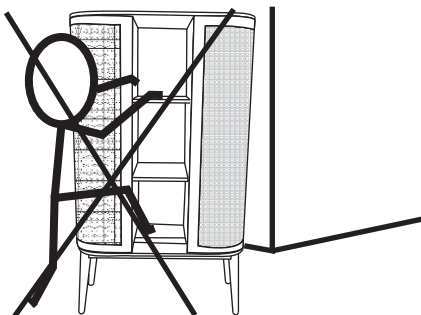
Repeat Step 2 to assemble the other three legs. Flip the ready structure.

Tip-over Restraint Device Installation Instructions

WARNING

Serious or fatal crushing injuries can occur from tipping furniture.

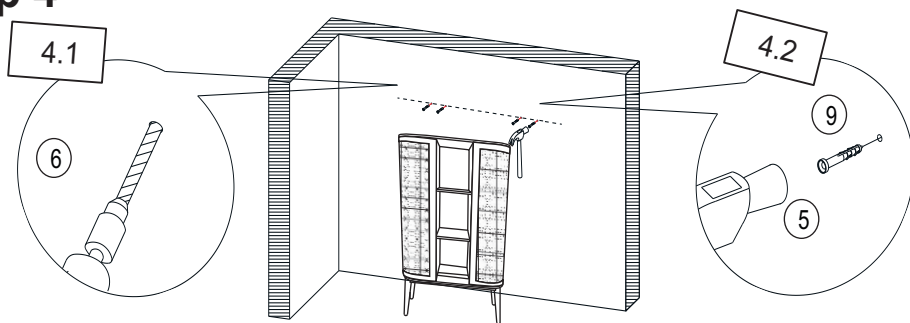
To help prevent tip-over: **ALWAYS** secure this furniture to the wall using Tip-over Restraint Device. See product instructions for more ways to help prevent furniture tip-over.



Usage For Tip-over Restraint Device:

To secure Bookcase against wall, attach two Brackets(7) on wall and product, use Tip-over Restraint Strap(10) to connect the Brackets(7).

Step 4



4.1) Drill Four holes on wall at same height as Brackets(7) on Bookcase with Power Drill(6).

You can mark these points in two ways as below:

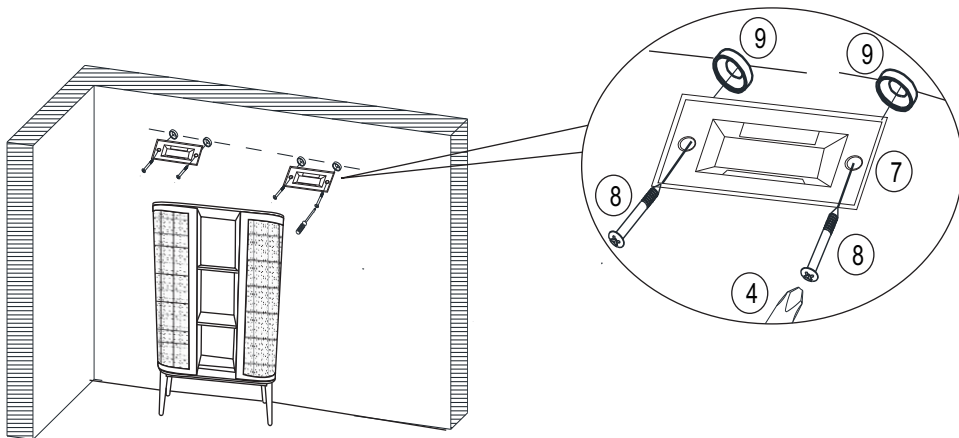
1) Move the Bookcase back to the wall. Mark Four points same height as Bookcase on the wall.

Note: The Brackets need to be secured to solid, load bearing surface. Please use a Stud Finder(not supplied) if needed to locate the Wall Frame.

2) Measure the height of the Brackets(7) with ruler/measuring tape and mark on wall to keep them accurate and same height.

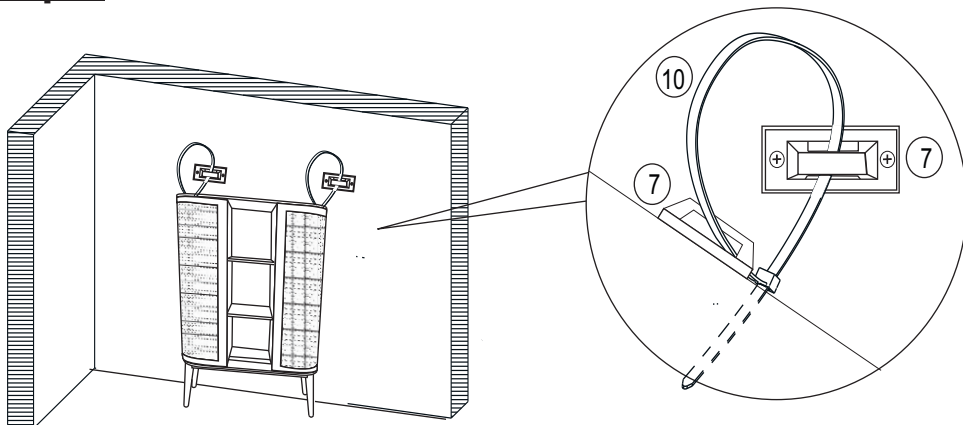
4.2) Insert Wall Plugs(9) into drilled holes on wall with Hammer(5).

Step 5



Attach Brackets(7) to Wall Plugs(9) using Wall Plug Screws(8) with Screwdriver(4).

Step 6














Move Bookcase to the wall.

Pull the Tip-over Restraint Straps(10) through the Brackets(7) on the wall and Bookcase one by one, and pull the Tip-over Restraint Straps(10) tight.

This Bookcase is now ready to use.

Caution: This Bookcase can only be used on flat, level surface.

Care & Maintenance

- ✓  • Furniture may scratch floors. We recommend using furniture pads to protect your floors.
- ⊘  • Do not put hot items directly on furniture surface.
- ⊘  • Do not clean furniture with harsh cleansers or polish.
- ⊘  • Do not place furniture under direct sunlight.
- ⊘  • Do not place furniture near heating or cooling vents.
- ⊘  • Do not write on furniture without a padded barrier to protect the surface.
- ⊘  • Do not place furniture outside . For indoor use only.
- ⊘  • Not for commercial use. For residential use only.
- ⊘  • Stains may be removed with mild soap solution and damp cloth.
- ⊘  • Children should not climb or jump on the furniture.
- ✓  • Dust and pick-up spills using a clean, non-colored, lint-free cloth.