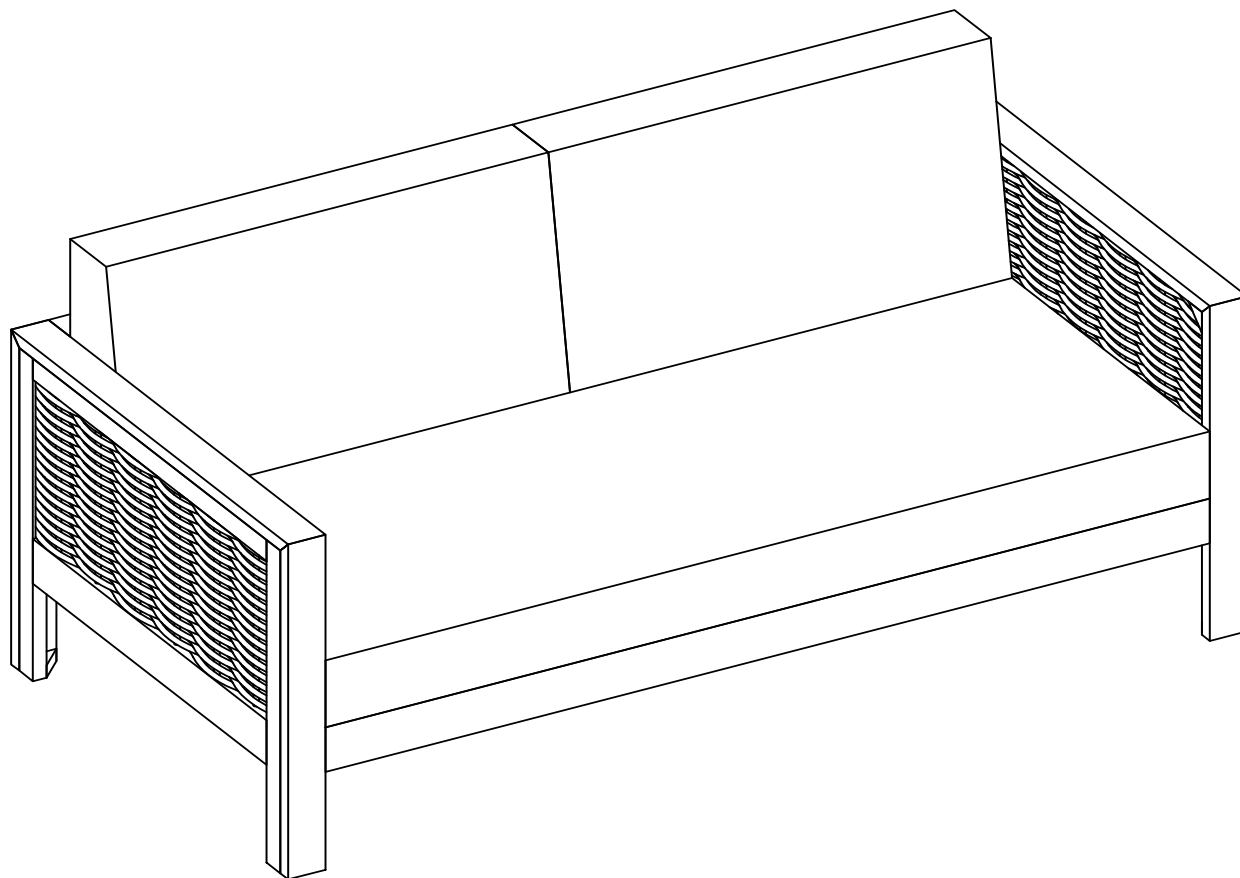


Assembly Instructions

LOVESEAT

CAUTION: You must read this before you proceed.

Please look underneath the seat panel for hardware packs.

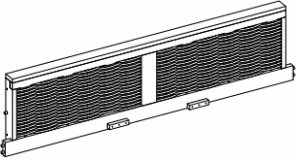
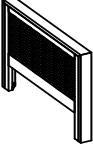
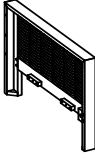
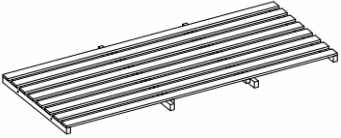
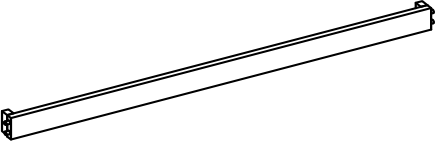
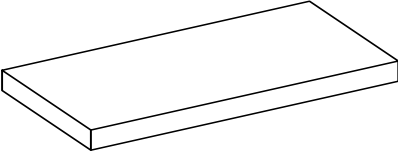
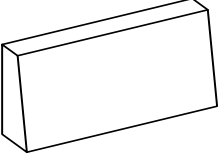


CAUTION : This Loveseat is NOT a TOY.


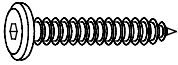

Keep your child / children at bay in the process of assembly.

For turning the Loveseat and to prevent damage to it, 02 people may be needed to execute this action.

Parts List

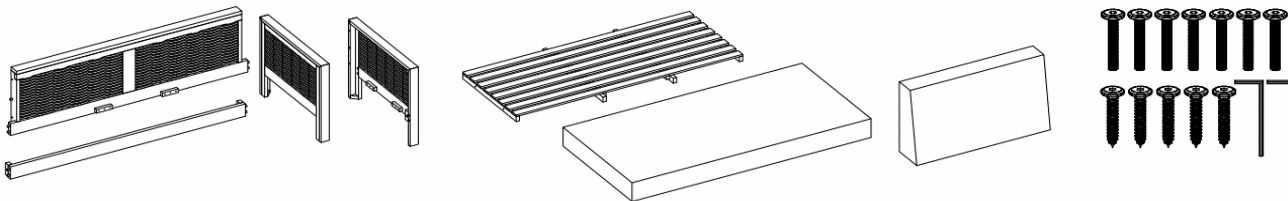
No.	Picture	Description	Qty
A		Backrest Panel	1
B		Left Arm Panel	1
C		Right Arm Panel	1
D		Seat Panel	1
E		Support Bar	1
F		Seat Cushion	1
G		Back Cushion	2

Hardware

Label	Picture	Description	QTY
①		Bolt (M6 x 40mm)	7
②		Screws (M6 x 40mm)	5
③		Allen Key 4 (30 x 80mm)	2

Assembly Preparation

Before Beginning Assembly:



Read instructions, cover to cover.



Have 2 adults on hand for assembly.



Do not assemble on flooring or carpet.

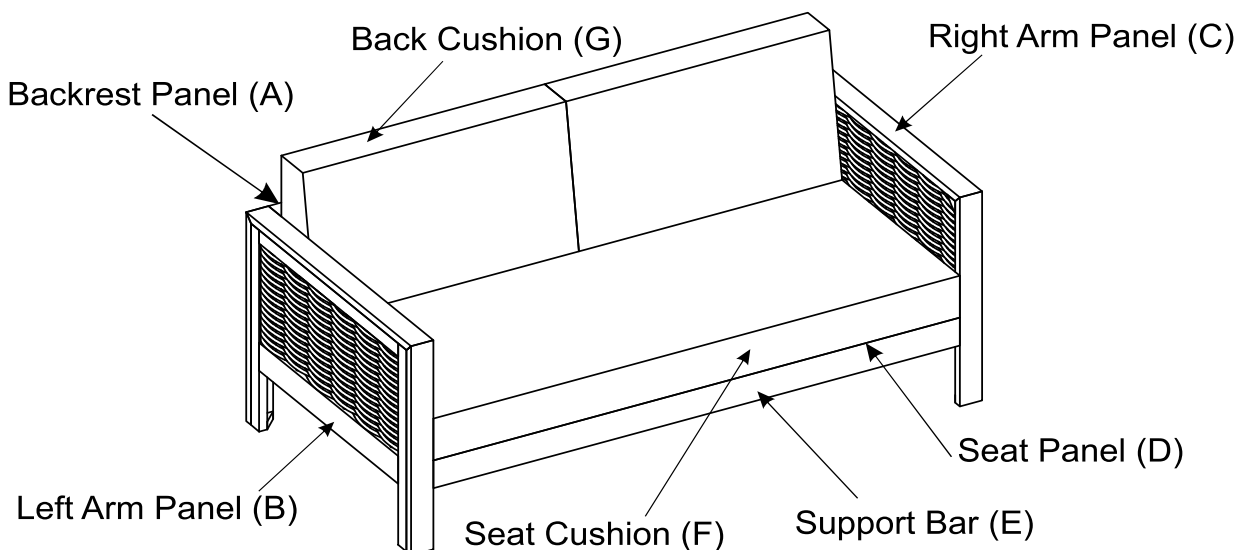


Assemble on a clean non-marring surface (packing foam).



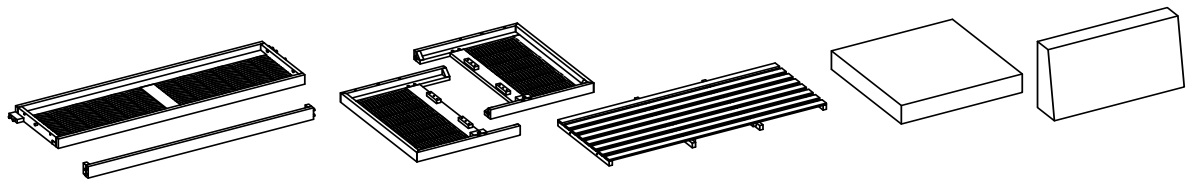
Save all packaging until finished.

Assembly Steps



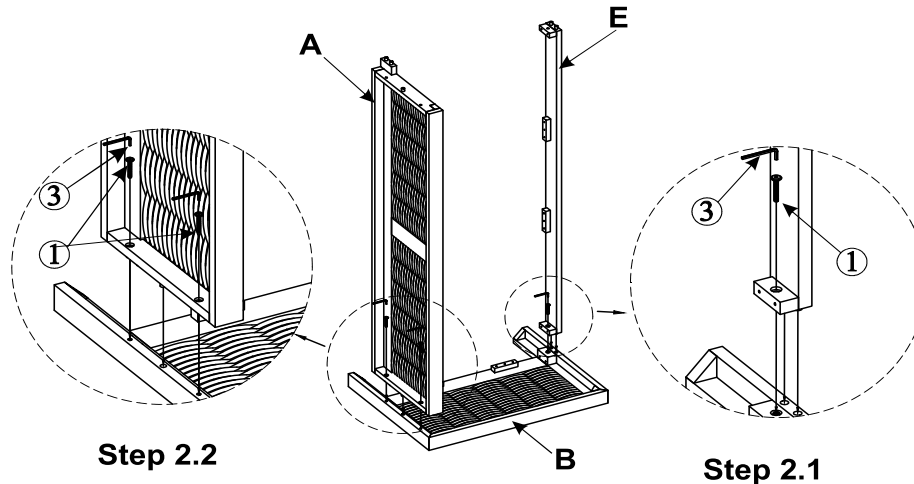
This Loveseat has multiple parts and may require up to 30 minutes to assemble. To give you an overview of the Loveseat parts, the above picture is to help you put the various parts into perspective. Please read through the instructions here below to familiarise yourself with the parts and steps before assembly.

Step 1



Unpack and place all parts on a clean, non-marring surface.

Step 2



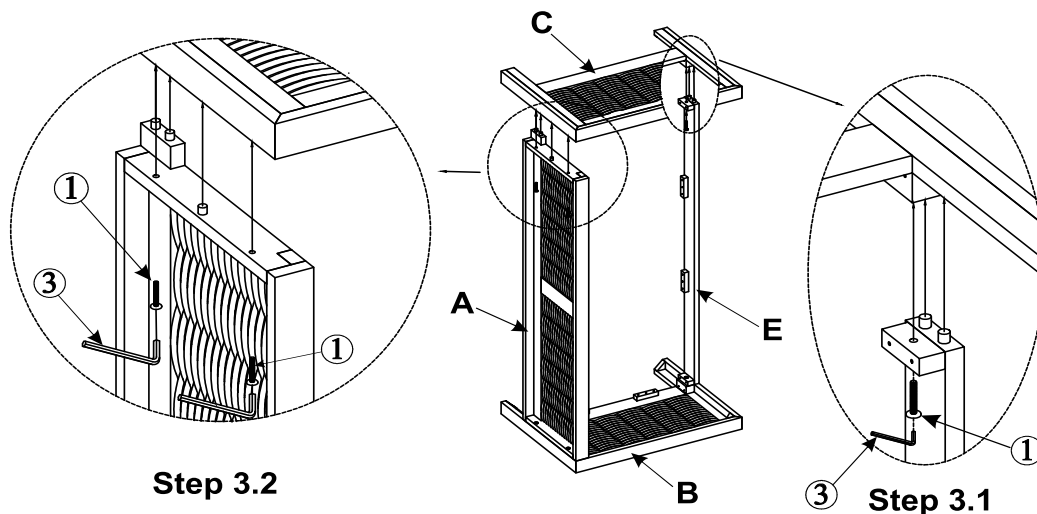
With the help of your adult partner, place the Left Arm Panel (B) with the inside facing skywards onto a clean, soft surface to avoid any scratches or damages to the product.

2.1: Align the dowels of the Support Bar (E) into the positions in the Left Arm Panel (B), then secure by using Bolts (1) and the Allen Key (3) as shown above.

2.2: Attach the Backrest Panel (A) onto the Left Arm Panel (B), then secure by using Bolts (1) and Allen Key (3) as shown above.

Do not fully tighten the Bolts

Step 3



With the help of your adult partner.

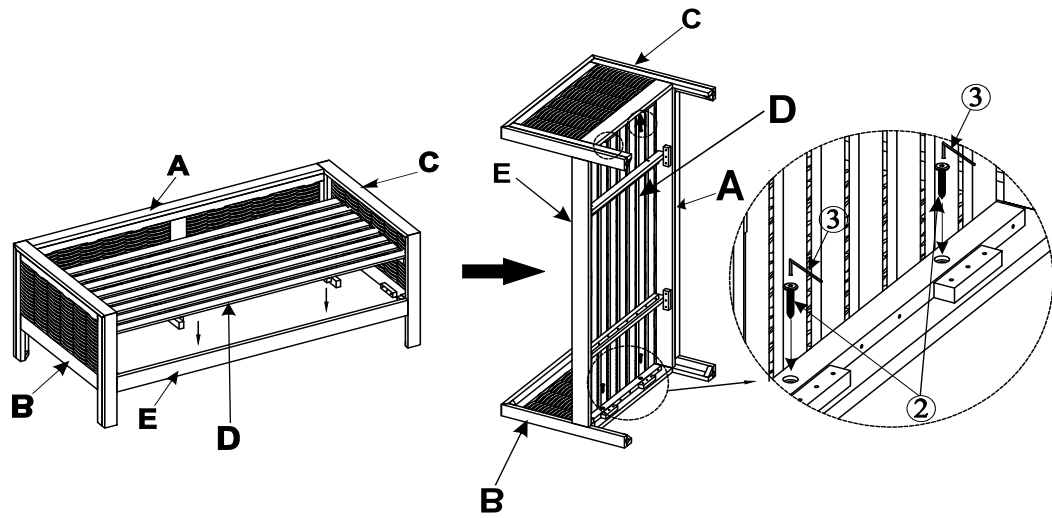
Place the Right Arm Panel (C) onto the assembled frame from step 2, then:

3.1: Align the dowels of the Support Bar (E) into the positions in the Right Arm Panel (C). Then affix the Support Bar (E) to the Right Arm Panel (C) by using Bolts (1) and the Allen Key (3).

3.2: Attach the Right Arm Panel (C) onto the Backrest Panel (A) by using Bolts (1) and the Allen Key (3).

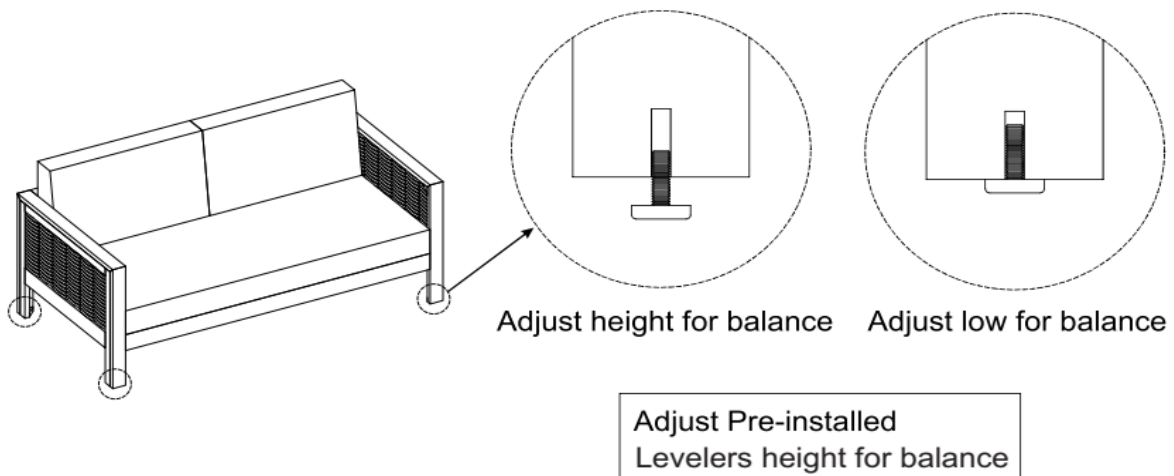
Do not fully tighten the Bolts

Step 4



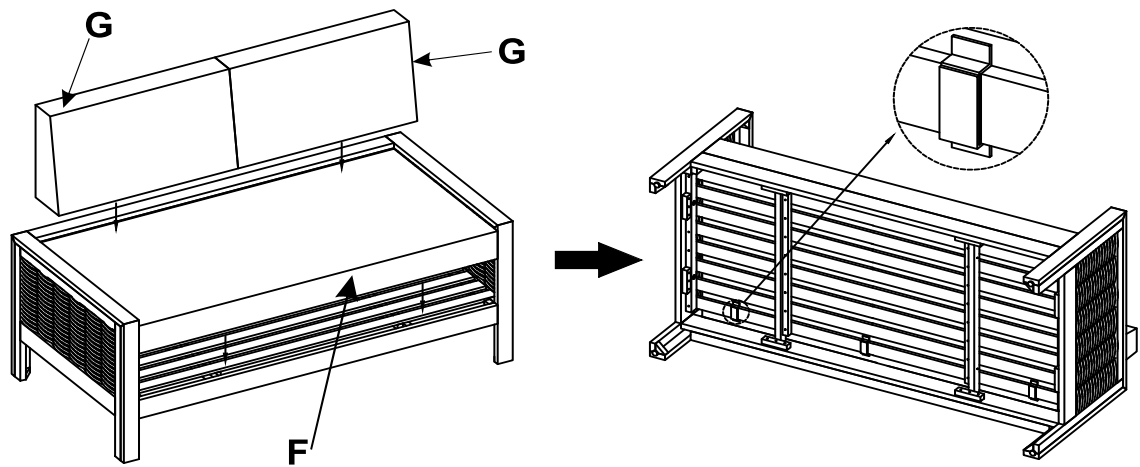
Attach the Seat Panel (D) into the Chair as show in picture above.
Affix Seat Panel (D) with Chair by using Screws (②) and Allen Key (③).
Note: Using Screws (②) from inside to outside of Seat Panel (D).
Do not fully tighten Screws.

Step 5












Place the loveseat onto a flat, level surface.
Then EXERT pressure, floorwards onto the Loveseat with both hands.
This pressure will help the Loveseat reach full alignment at all joints.
In a sequential manner, gradually tighten all Bolts and screws at all joints until evenly secured.
Inspect the Loveseat and make sure all parts are adequately connected.
Adjust the Levelers until the Loveseat is level with the ground.
To adjust the Levelers, get assistance from an adult partner to lift/lean and hold the Loveseat while you are working

Step 6



With the help of your adult partner, turn the Chair right side up.
Place the Seat Cushion (F) and Back Cushion (G) onto the Seat Panel (D).
Tie the velcro straps on the Seat Cushion (F) to the Seat Panel (D) as show above
Inspect it and make sure all parts are adequately connected.
Ensure all screws, bolts are fully locked into position and secured.
The Loveseat is ready to be used.
Caution: This Loveseat can only be used on a flat, level surface.

Care & Maintenance

-  ● Do not put hot items directly on furniture surface
-  ● Do not clean furniture with harsh cleansers or polish.
-  ● To obtain the longest lifespan of your outdoor products, minimizing exposure to direct sunlight is recommended.
-  ● Children should not climb or jump on the furniture.
-  ● Do not write on furniture without a padded barrier to protect the surface.
-  ● To obtain the longest lifespan of your outdoor products, avoid extended and lengthy exposure to rain, snow, and direct sunshine. Whenever possible cover the product and /or place under patio or awnings.
-  ● Not for commercial use. For residential use only .
-  ● Stains may be removed with mild soap solution and damp cloth.
-  ● Dust and pick-up spills using a clean, non-colored, lint-free cloth.