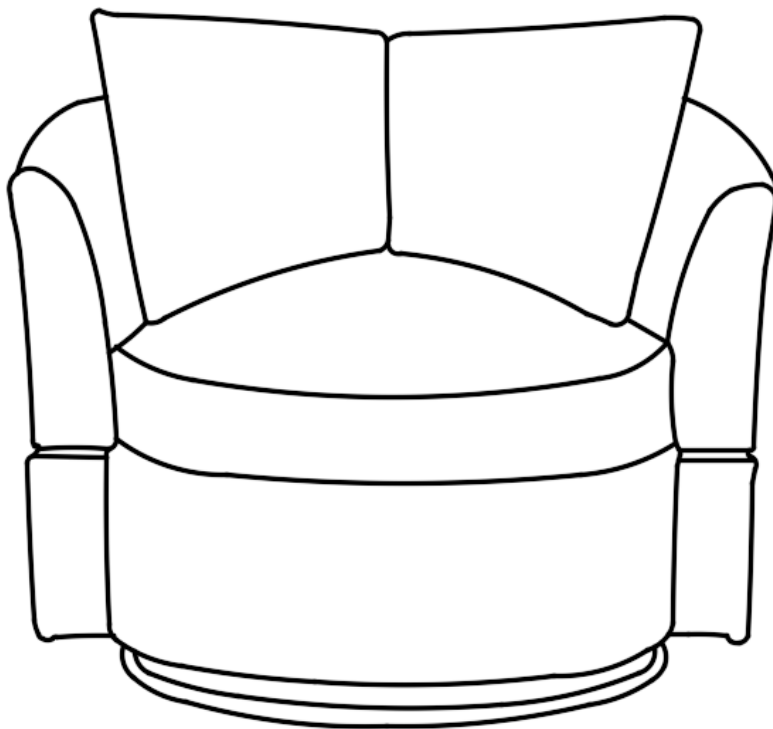


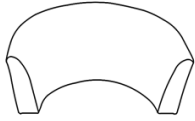

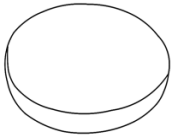
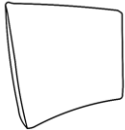
# Assembly Instructions

**Caution : You must read this before you proceed**



## Club Chair



## Parts List

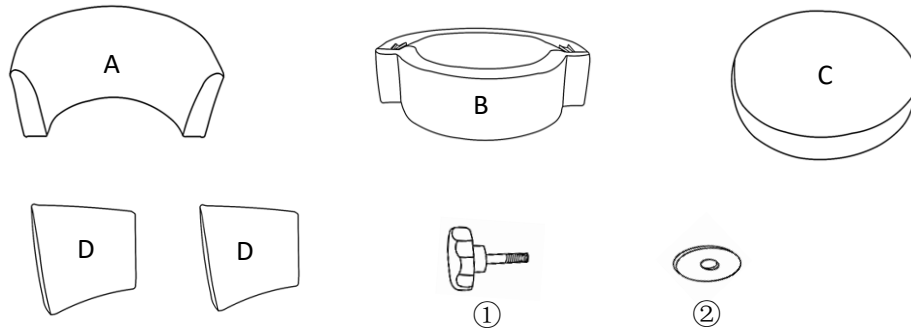
Label	Picture	Description	QTY
A		Chair Back	1
B		Chair Seat	1
C		Cushion	1
D		Pillow	2

## Hardware

Label	Picture	Description	QTY
①		Screw With Plastic Cap (40mm)	1
②		Flat Washer Rings	1

# Assembly Preparation

Before Beginning Assembly:



- Read instructions, cover to cover-



- Have 2 adults on hand for assembly-



- Do not assemble on flooring or carpet-



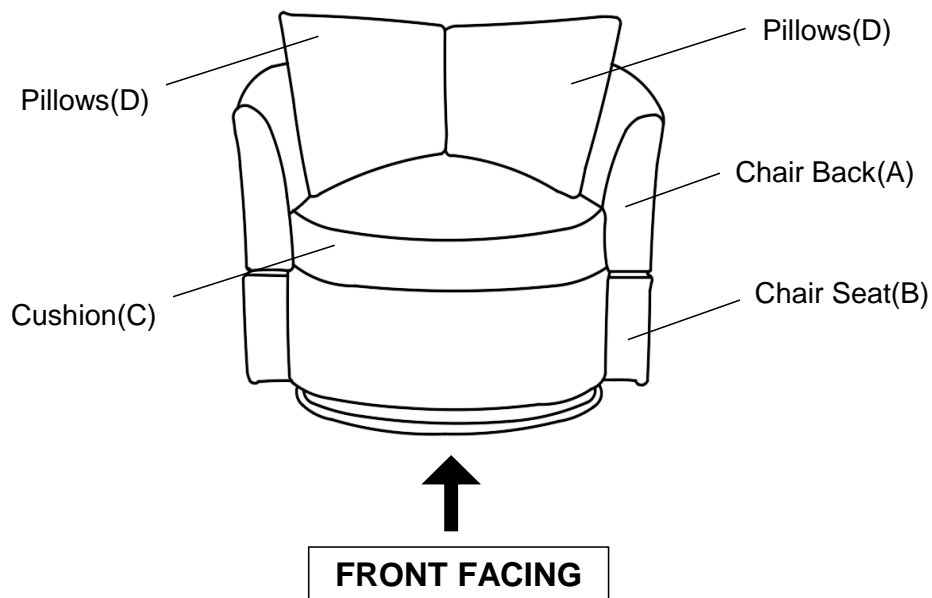
- Assemble on a clean non-marring surface (packing foam)-



- Save all packaging until finished-

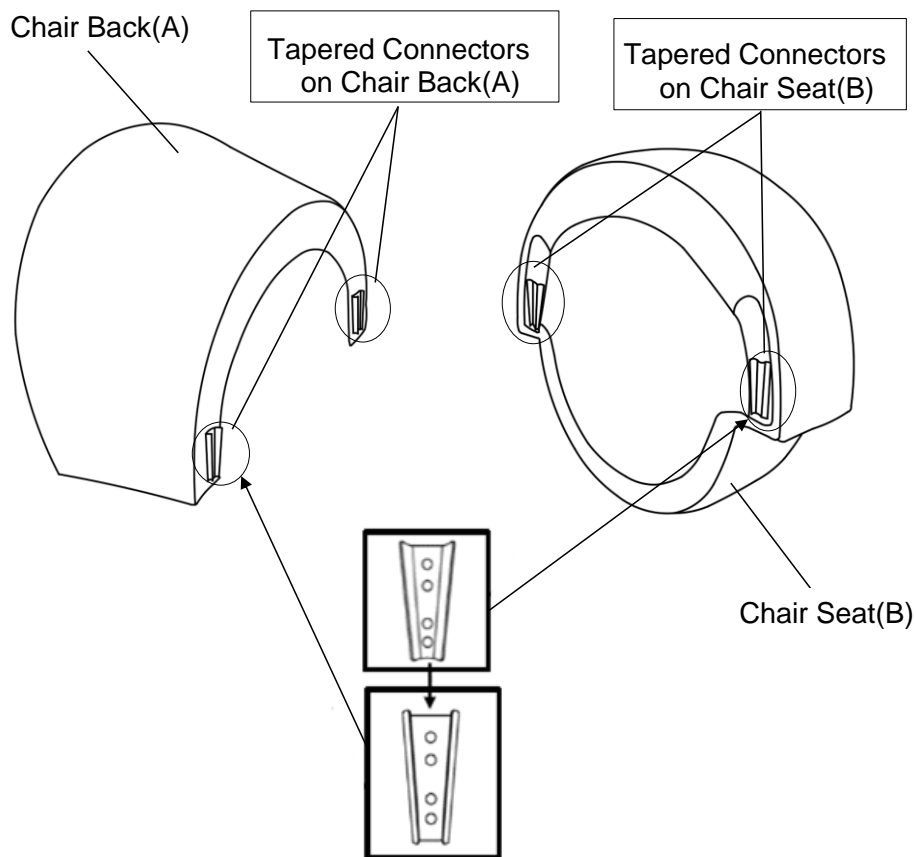
# Assembly Steps

## Overview



This Club Chair has multiple parts and may require up to some minutes to assemble. To give you an overview of the Club Chair parts, the above picture is to help you put the various parts into perspective. Please read through the instructions below to familiarise yourself with the parts and steps before assembly.

## Step 1

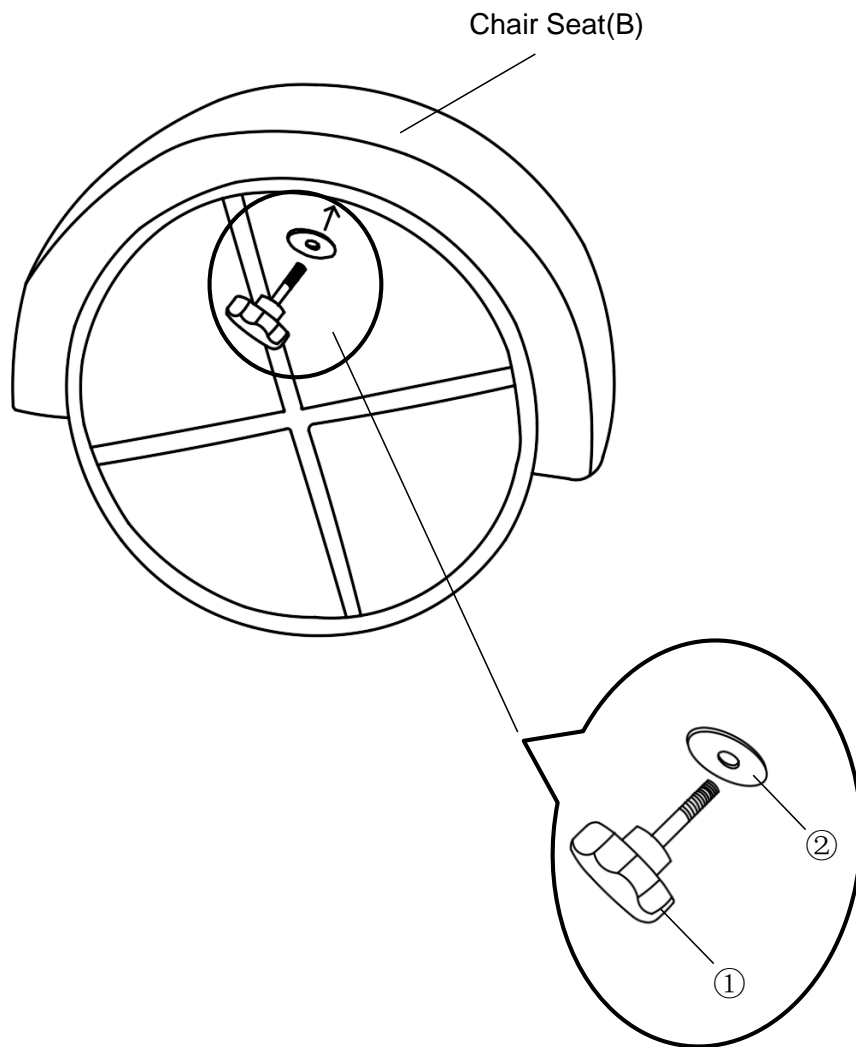


Open the carton and place all the parts on a clean, non-marring surface. With the assistance of your partner, Put the Chair Back(A) and Chair Seat(B) face down, slide the Tapered Connectors on Chair Back(A) into the Tapered Connectors on Chair Seat(B) as shown in the picture.

**Note: Make sure the Tapered Connectors on Chair Back(A) lock into the Tapered Connectors on Chair Seat(B). Assistance from an adult partner is needed for this assembly process. During this assembly process - do exercise caution. You may need to use your hand to press down and or pave away the padded surface to facilitate the 'slip and slide' assembly.**

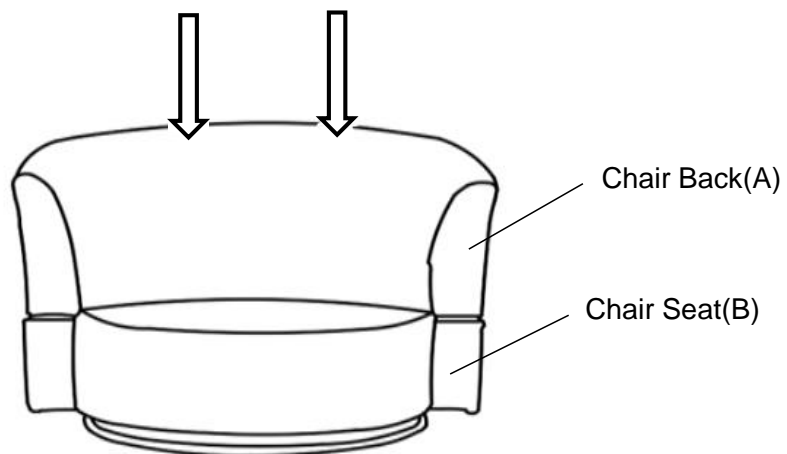
**Caution : Do exercise Caution to ensure that your fingers do not get caught or pinched in the assembly process.**

**Step 2**



Tilt and lay the Chair and onto a flat surface. Attach Chair Seat(B) to Chair Back(A) using Screw With Plastic Cap (40mm) (①), Flat Washer Ring(②) into place as pictured above. Tighten the Bolts fully in a sequential manner.

**Step 3**



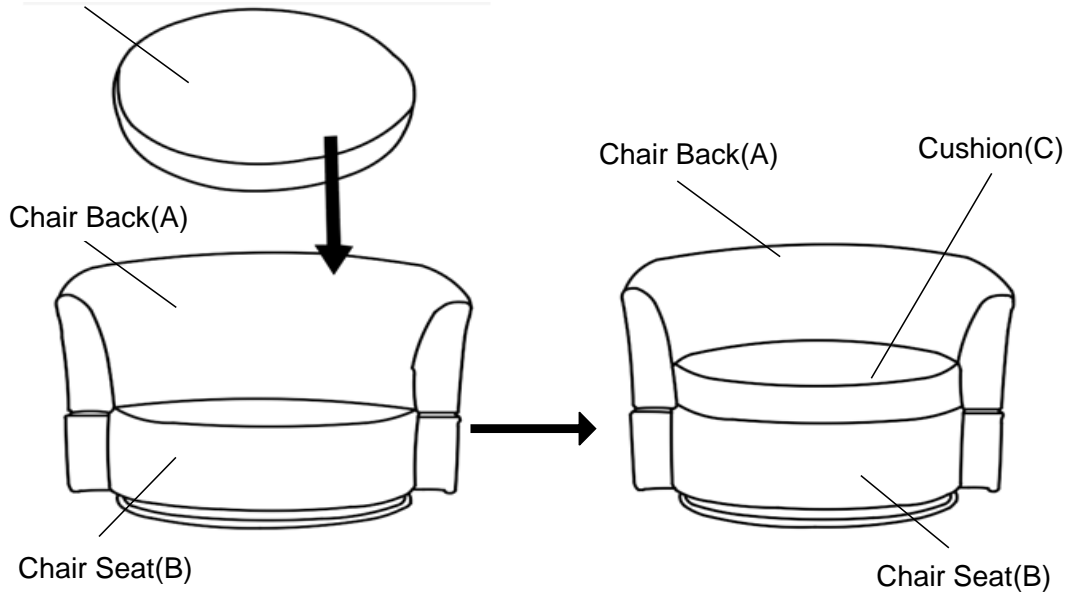
Hold up the chair.

**Fully locked position: Check and assess that the base of the Chair Back(A) and Chair Seat(B) are aligned and level.**

**Assistance from an adult partner is needed for this assembly process.**

**Step 4**

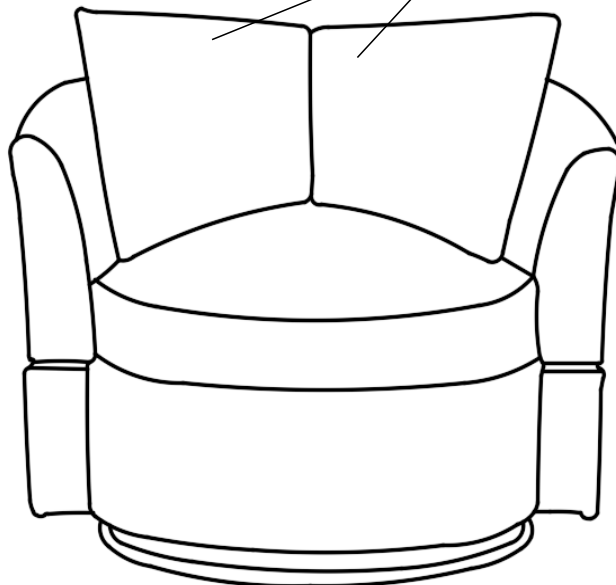
Cushion(C)



Place the Seat Cushion(C) onto the Seat.

**Step 5**

Pillows(D)



Place the Pillows (D) onto the Chair.

Your Chair is ready for use.

**This Chair can only be used on a flat, level surface.**

## **Care & Maintenance**



- Furniture may scratch floors. We recommend using furniture pads to protect your floors.



- Do not put hot items directly on furniture surface.



- Do not clean furniture with harsh cleansers or polish.



- Do not place furniture under direct sunlight.



- Do not place furniture near heating or cooling vents.



- Do not write on furniture without a padded barrier to protect the surface.



- Do not place furniture outside . For indoor use only.



- Not for commercial use. For residential use only.



- Stains may be removed with mild soap solution and damp cloth.



- Children should not climb or jump on the furniture.



- Dust and pick-up spills using a clean, non-colored, lint-free cloth.