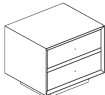









What's in the Box?

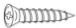
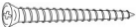


Parts List

No.	Picture	Description	Qty
A		Cabinet	1
B		Leg	4
C		Knob (11x24x20mm)	2

Nightstand Hardware

No.	Picture	Description	Qty
①		Bolt (M6 x 60mm)	9
②		Spring Washer (6.5/13x2mm)	9
③		Flat Washer (6.5/19x2mm)	9
④		Allen Key (K4)	2
⑨		Bolt (4x25mm)	2

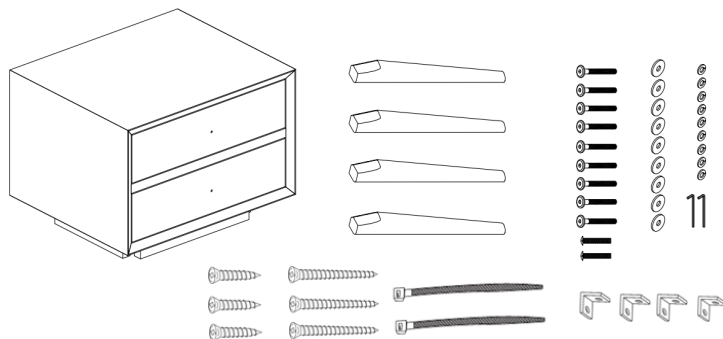
Nightstand Restraint Device Hardware

⑤		Self Tapping Screw (M4 x 20mm)	3
⑥		Self Tapping Screw (M4 x 50mm)	3
⑦		L-shape Metal Bracket	4
⑧		Nightstand Restraint Strap	2

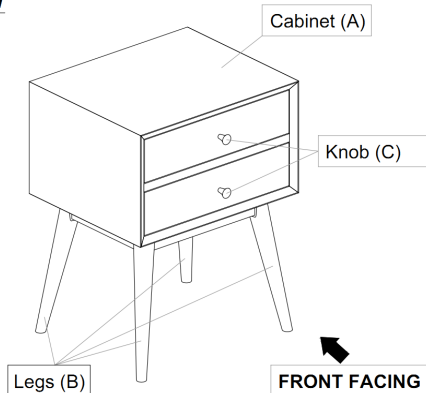
If any contents in the box are missing, please contact OkiOki support right away at 1-833-OKIOKI1.

Assembly Preparation

Before beginning assembly:



OVERVIEW



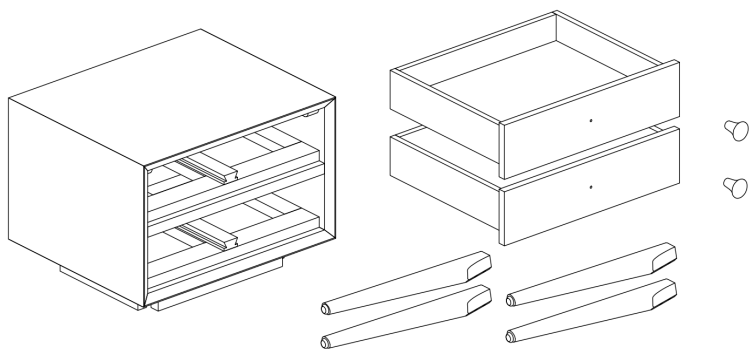
This Nightstand has multiple parts and may require up to 30 minutes to assemble. To give you an overview of the Nightstand parts, the above picture is to help you put the various parts into perspective. Please read through the instructions here below to familiarise the parts and steps before assembly.

Now to the fun part!

Please follow the below steps carefully to ensure a proper assembly.

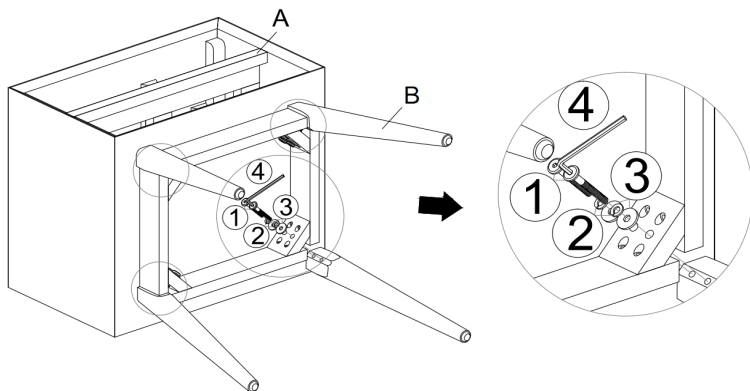
Step 1

- Unpack and place all parts on a clean, non-marring surface.
- In the next step, you'll need to lay the cabinet down in order to assemble. To avoid risk for user, need take out the Drawer of the Cabinet.



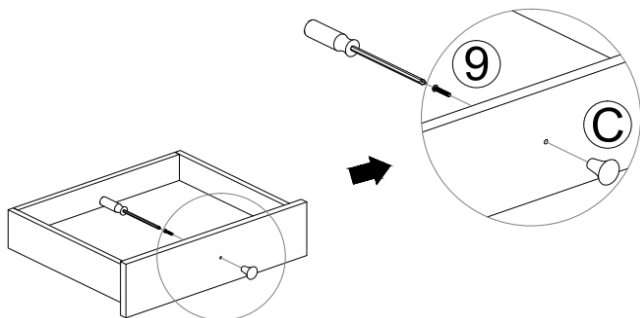
Step 2

- Lay the Cabinet (A) down.
- Align and insert the Leg (B) to the mounting positions at the Cabinet's bottom corners.
- Insert the Bolt (1) through the mounting position and affix the Leg (B) using the Allen Key (4).
- The use of Spring Washer (2) & Flat Washer (3) are optional and are especially useful to help alleviate slight wobble.
- Upon assessment that there is a wobble, undo the relevant leg and thread in a Spring Washer (2) & Flat Washer (3)
- Make sure all parts are connected and securely locked into position.
- To ensure there is NO WOBBLES to the Legs (B), DO NOT overtighten the bolts.
- Each bolt is to be driven in sequentially and where necessary, the Nightstand may be turned to check for evenness.
- It may be necessary to execute this check twice to ensure that all Legs (B) are affixed to the Nightstand with no wobbles.



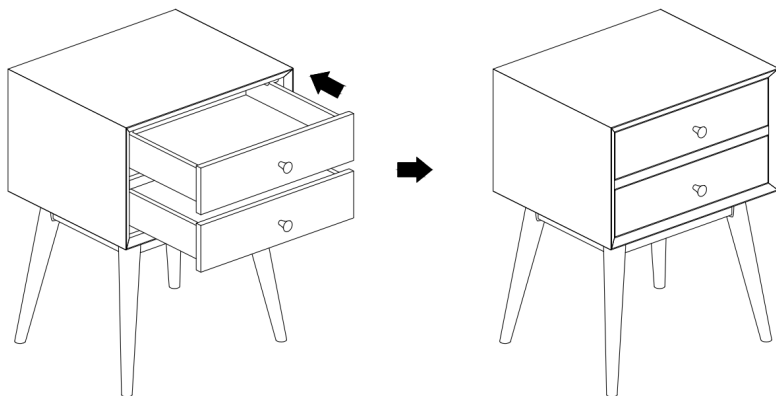
Step 3

- Align the Bolts mounting position of the Knob (C) to the mounting positions at the Drawer.
- Insert the Bolt (9) through the mounting position and affix the Knob (C) by using Screw Driver (Not Provided), as shown in picture.



Step 4

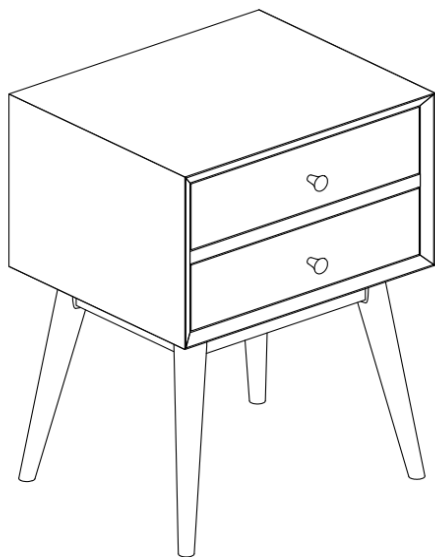
- Put the Drawer into the Nightstand.
- Ensure that all bolts of the Nightstand and the Knobs of the Drawer are fully driven in and locked in.
- The Nightstand now is ready to be used.



****Caution: This Nightstand can only be used on a flat, level surface.**

Step 5

Take a step back and bask in the glory that is your new OkiOki Mid-Century Nightstand.



If additional help is needed in the assembly process, please reach out to our customer support team at 1-833-OKIOKI1.

Nightstand Restraint Device Installation Instructions

Serious or fatal crushing injuries can occur from tipping furniture.

To help prevent tip-over: **ALWAYS** secure this furniture to the wall using a Nightstand Restraint Device.

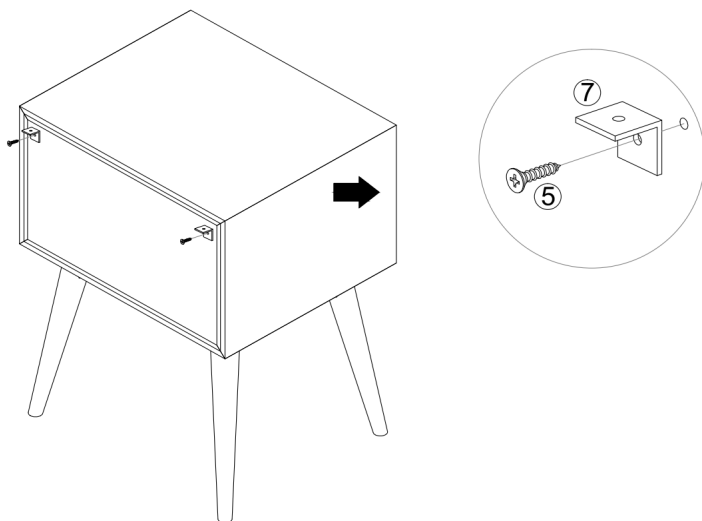
See product instructions for more ways to help prevent furniture tip-overs.



DO NOT CLIMB

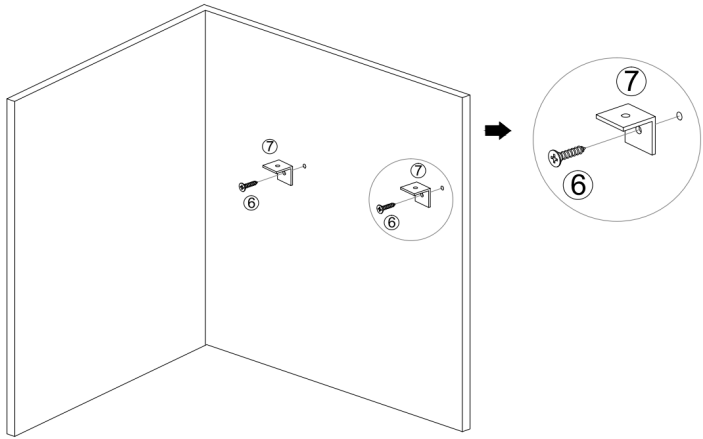
Usage For Nightstand Restraint Device:

For the Nightstand against the wall, fix 2pcs Metal Brackets (7) on the wall and 2pcs Metal Brackets (7) on the product, use the Nightstand Restraint Strap (8) to connect the Metal Bracket (7) on the wall and the product. Find details as below:



A: Firstly, turn back the Nightstand outwards as shown above. Then fix one Metal Bracket (7) on the back of the console by the 2.0cm Self-Tapping Screw (5). The distance of the screw mounting position to the two edges is about 1”.

Repeat this step to fix another Metal Bracket (7) on the product, as shown above.



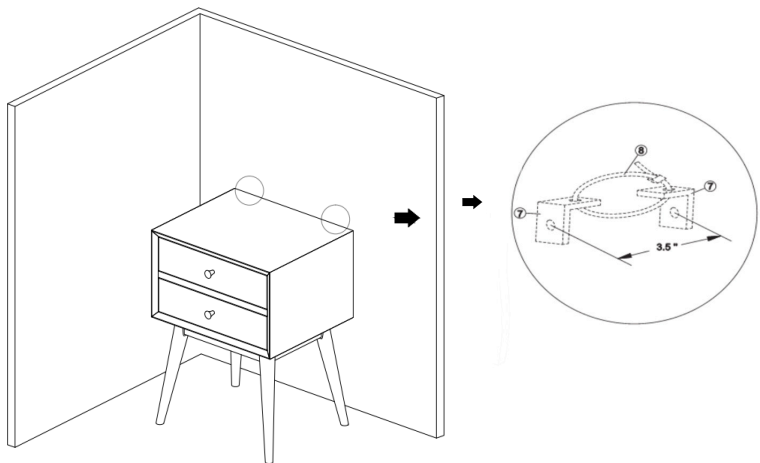
B: Find the screw holes on the wall.

First, mark the point at the same height on the wall as the L-shaped Metal Bracket (7) on the product. You can find these same points in 2 ways as below:

1. Move the Nightstand back to the wall - make sure these points on the wall and on the product are at the same height.
2. Measure the height of the Metal Bracket (7) and the wall by using a ruler to accurately keep them at the same height.

**** (Caution: The space between the Nightstand Restraint Strap (8) and the Metal Brackets (7) on the product and the wall should be within 3.5").**

1. Then fix one L-shaped Metal Bracket (7) on the mark on the wall by the 5cm Self-Tapping Screws (6).
2. Repeat this step to fix another Metal Bracket (7) on the wall as shown above.



C: Move the Nightstand against the wall. Then pull the Nightstand Restraint Strap (8) through the 2 Metal Brackets (7), one by one, locking the Nightstand Restraint Strap (8) tight, as shown above.

The Nightstand Restraint Device is now installed and is ready for use.