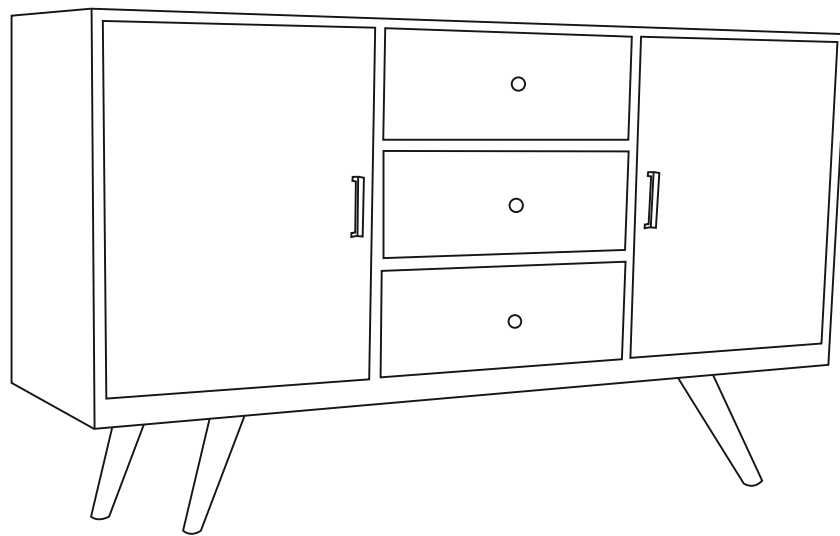


Assembly Instructions

Caution : You must read this before you proceed


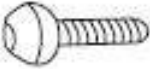


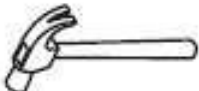

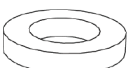
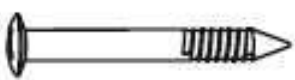



SIDEBOARD





Parts List

Label	Picture	Description	QTY
A	A line drawing showing the top portion of the sideboard, including the two doors and the three drawers, without the legs.	SIDEBOARD TOP	1
B	A line drawing of a single leg, showing a rectangular base with two circular holes and two angled legs extending upwards.	LEG	2

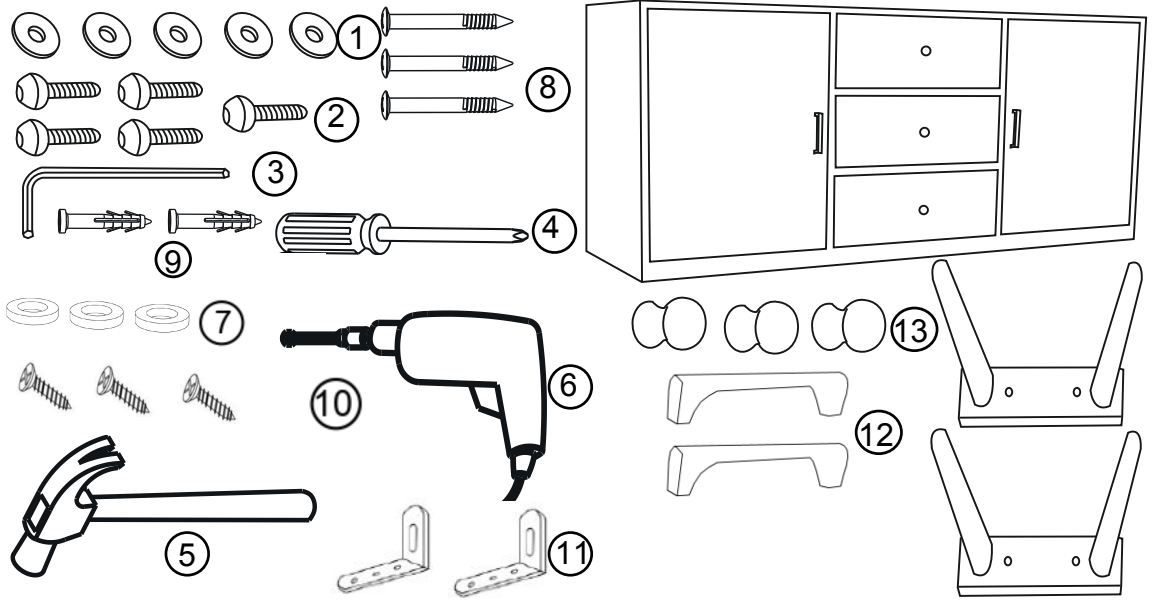
Hardware

Label	Picture	Description	Qty.
①		Washer (20mmx20mm)	5
②		Bolt (M15mmx35mm)	5
③		Allen Wrench	1
④		Screwdriver (Not Provided)	1
⑤		Hammer (Not Provided)	1
⑥		Power Drill (Not Provided)	1
⑦		Washer	3
⑧		Wall Plug Screw (M3 x 30mm)	3
⑨		Wall Plug	2
⑩		Product Screw (M3 x 12mm)	3
⑪		Metal Bracket	2

12		Handle	2
13		Knob	3

Assembly Preparation

Before Beginning Assembly:



- Read instructions, cover to cover-



- Have 2 adults on hand for assembly-



- Do not assemble on flooring or carpet-



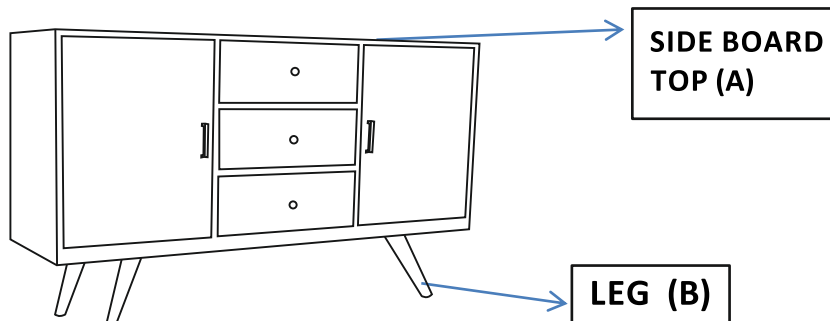
- Assemble on a clean non-marring surface (packing foam)-



- Save all packaging until finished-

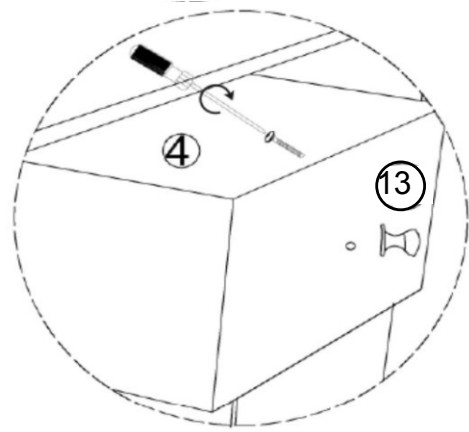
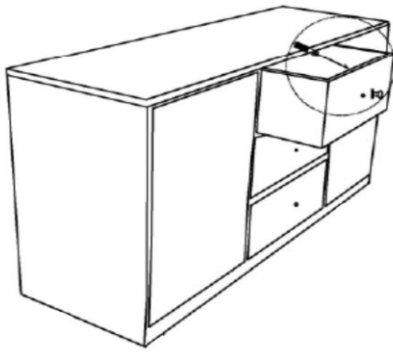
Assembly Steps

Overview



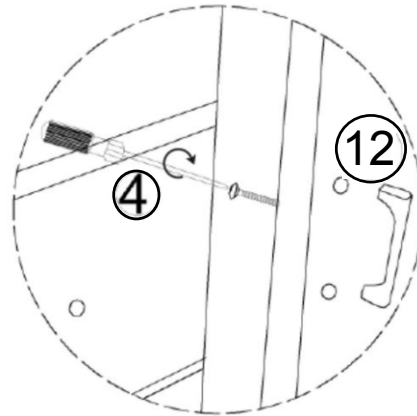
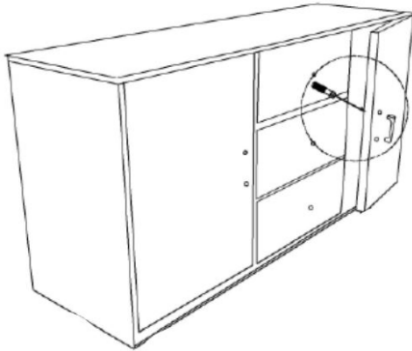
This Sideboard has multiple parts and may require up to some 30 minutes assemble. The above picture is to help you in putting various parts in to perspective . Please read through the instruction below to familiarise yourself with the parts and steps before assembly.

Step 1



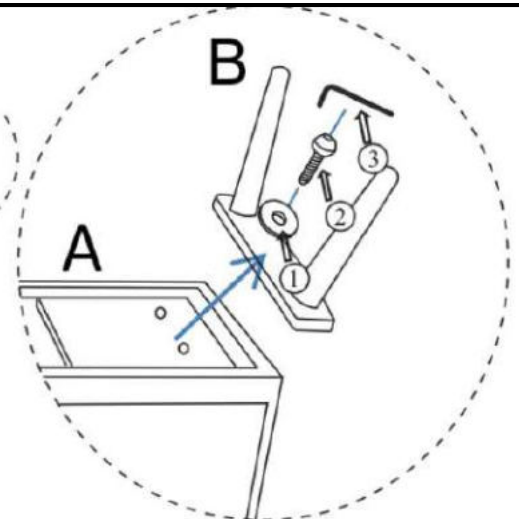
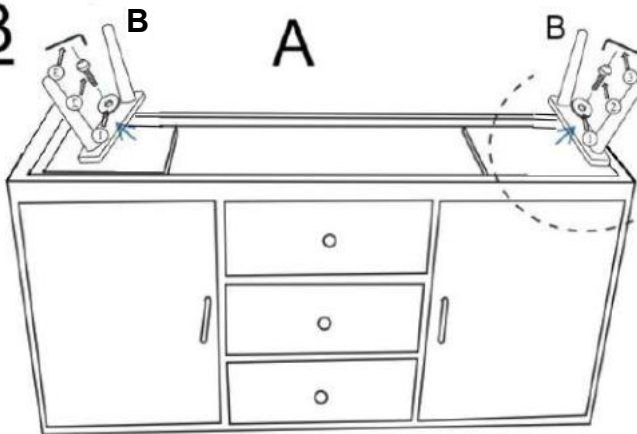
With the help of your adult partner, carefully stand the Sideboard. Install the Knob (13) on the drawers with the help of Screwdriver (4) as pictured above. Repeat the step for all the drawers.

Step 2



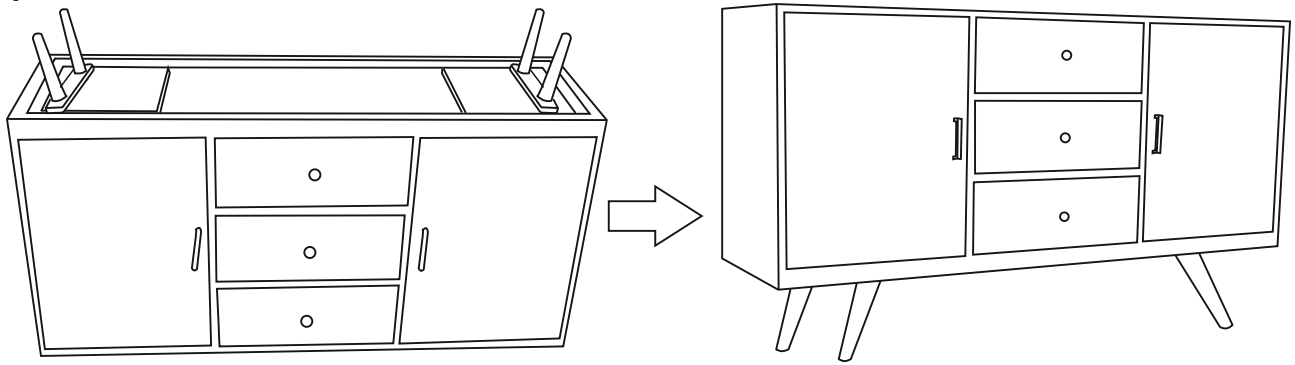
Install the Handle (12) on the door with the help of Screwdriver (4) as the pictured above. Repeat the step for all the door.

Step 3



With assistance from your adult partner, place the Sideboard Top (A) face down as picture on clean surface. As shown in "Step3" picture attach Leg (B) to Sideboard top (A) using Washer (1) Bolt (2) with Allen Wrench (3) . Repeat "Step3" to assemble the other Leg (B) to Sideboard top(A)
DO NOT FULLY THIGHTEN THE BOLTS

Step 4



Turn the Sideboard right side up.

Place the Sideboard on a **LEVEL SURFACE**.

Inspect it and make sure all parts are adequately connected.

This would help to align all the parts at all the joint areas.

In a sequential manner, proceed to tighten all Bolts.

To tighten the Bolts at the base of the Sideboard, do secure assistance from your adult partner(s).

You may be required to turn the Sideboard, to gain easy access to the secure points.

Turn the Sideboard in a synchronised manner.

CAUTION 1: When tightening these Bolts, tighten sequentially.

DO NOT tighten any Bolts fully and then towards the next one.

This would cause the frame to warp.

If there is still wobble, loosen the Bolts and execute this same process.

WARNING!! IF Sideboard IS NOT STABLE , IT COULD LEAD TO DAMAGING THE PRODUCT.

Ensure all Bolts are fully locked into position.

The Sideboard is ready to be used.

CAUTION 2: This Sideboard can only be used on a flat, level surface.

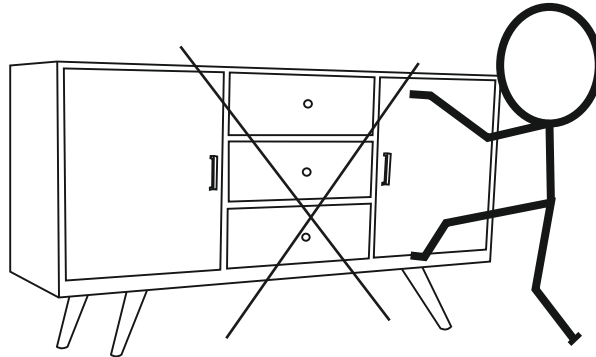
Tipover Restraint Device Installation Instruction

WARNING 

Serious or fatal crushing injuries can occur from tripping furniture.

To help prevent tip-over : **ALWAYS** secure this furniture to the wall using tipover restraint device.

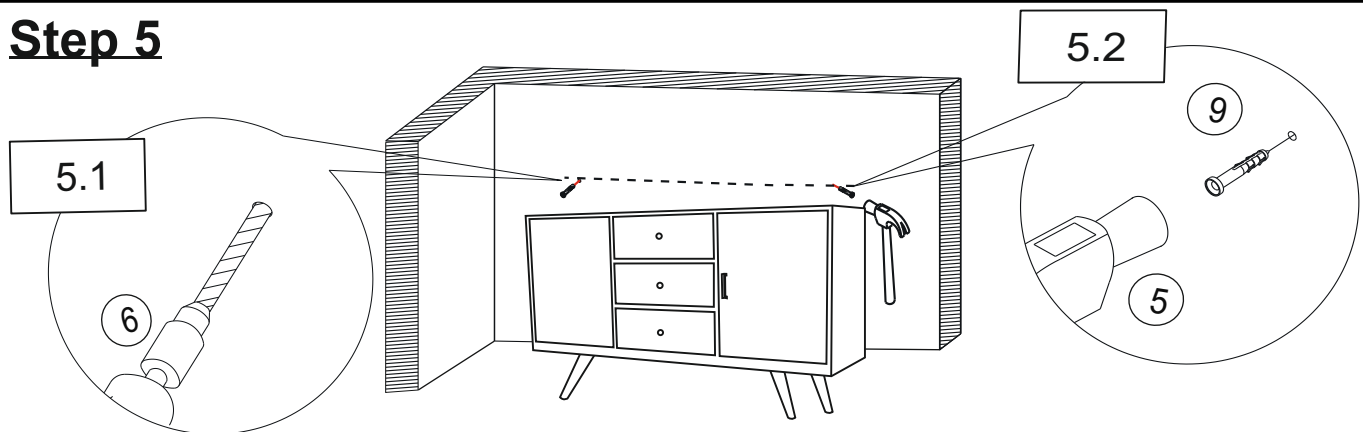
See products instruction for more ways to help prevent furniture tip-over



Usage For Tipover Restraint Device:

To secure Sideboard against wall, attach two Brackets (11) on wall

Step 5



5.1) Drill two holes on wall at same height as Bracket(11) on Sideboard (A) with Power Drill (6).

You can mark these points in the ways as below:

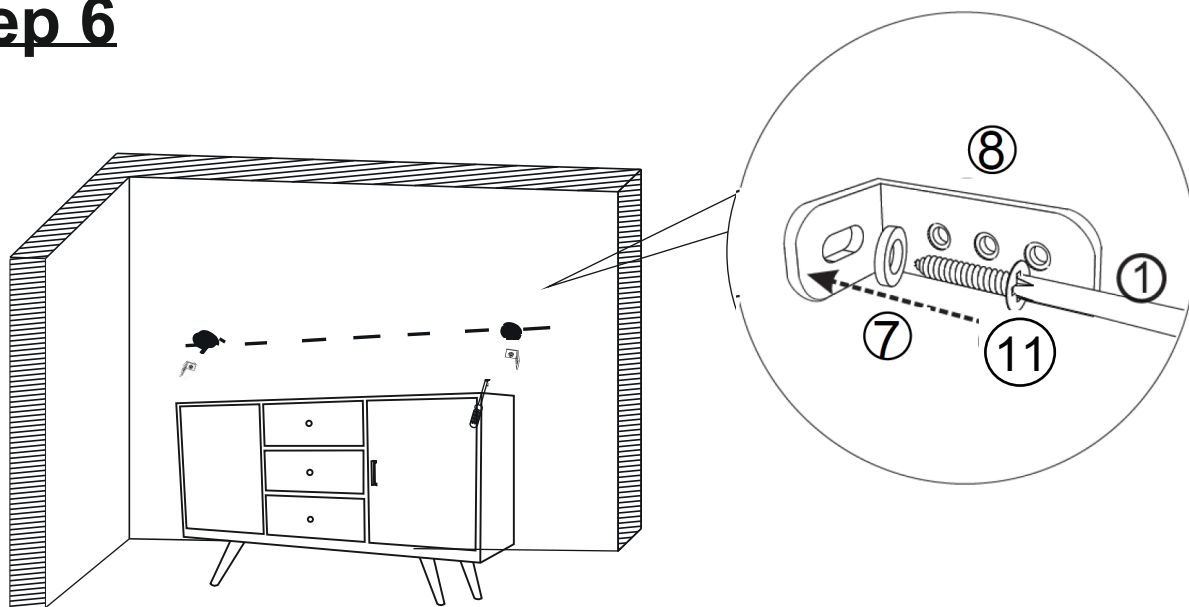
1) Move the Sideboard back to the wall. Mark two point same width as Sideboard on the wall.

Note : The brackets need to be secured to solid ,load bearing surface. Please use a stud finder (not supplied) if needed to locate the wall frame.

2) Measure the height of the Brackets (11) with ruler/measuring tape and mark on wall to keep them accurate and same height and width of the Cabinet.

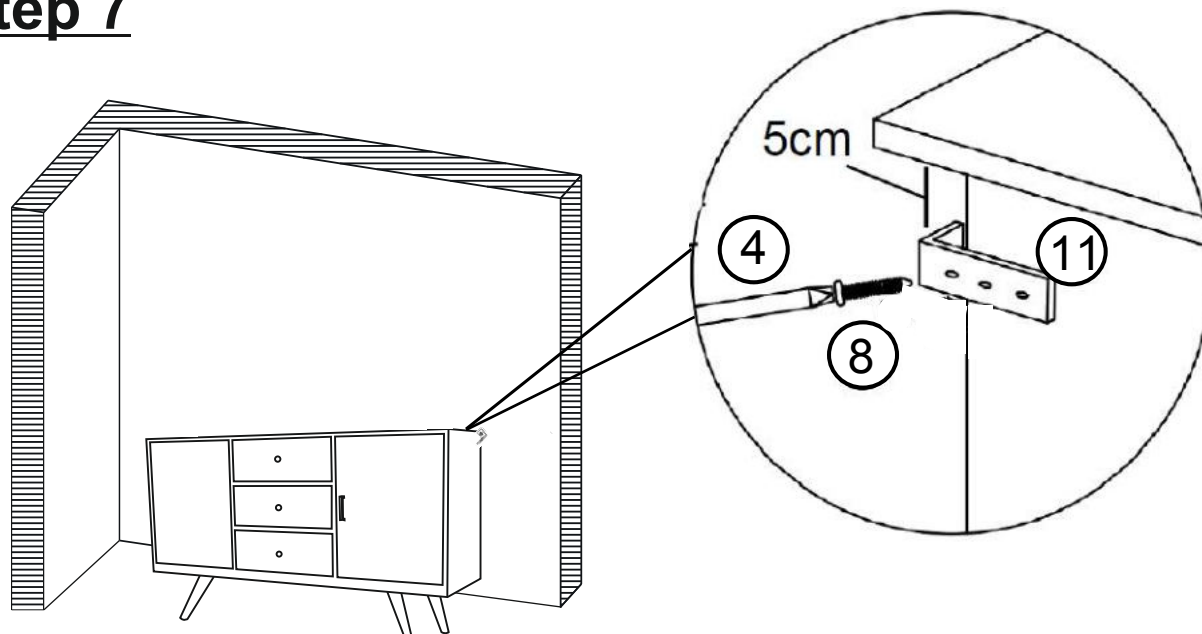
5.2) Insert wall plugs (9) into drilled holes on wall with Hammer (5).

Step 6



Attach Brackets (11) to Wall Plugs (9) using Wall Plug Screws (8) and Washer (7) with Screwdrivers (4)

Step 7














Move Cabinet to the wall, customer can use one of 3 holes for assembly same as other side.

Connect the Metal Bracket (11) to Cabinet with help of Screw (8) and Screwdriver (4) same as other side.

This Cabinet is now ready to use.

Care And Maintenance

- ✓  Furniture may scratch floors. We recommend using furniture pads to protect your floors.
 - ⊗  Do not put hot items directly on furniture surface.
 - ⊗  Do not clean furniture with harsh cleansers or polish.
 - ⊗  Do not place furniture under direct sunlight.
 - ⊗  Do not place furniture near heating or cooling vents.
 - ⊗  Do not write on furniture without a padded barrier to protect the surface.
 - ⊗  Do not place furniture outside . For indoor use only.
 - ⊗  Not for commercial use . For residential use only.
 - ⊗  Stains may be removed with mild soap solution and damp cloth.
 - ⊗  Children should not climb or jump on the furniture.
- ✓  Dust and pick-up spills using a clean, non-colored lint-free cloth.