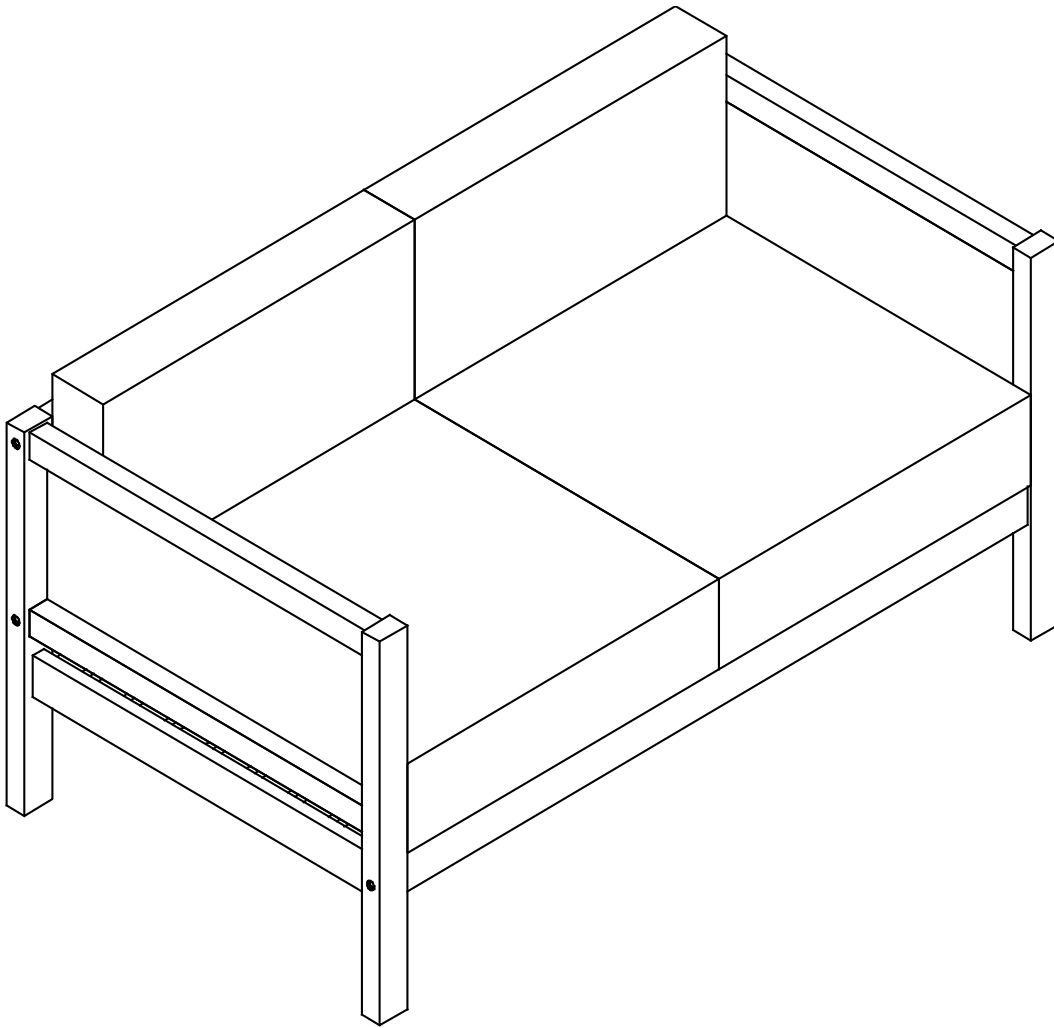


Assembly Instructions

Caution: You must read this before you proceed

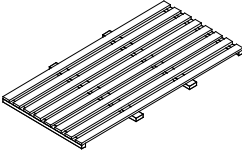
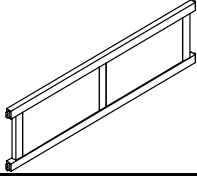
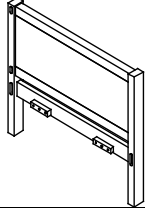
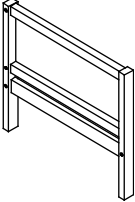
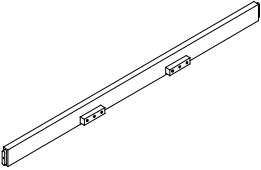
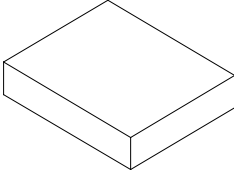
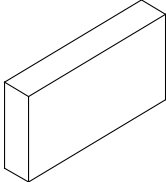
Please look in the Backrest Panel for hardware packs and legs.

Loveseat





Caution: This Loveseat is NOT a TOY.
Keep your child/children at bay during the assembly process.
Whenever moving/lifting the Loveseat and to prevent damage to the Loveseat,
two adults are required to execute these actions.

Part List

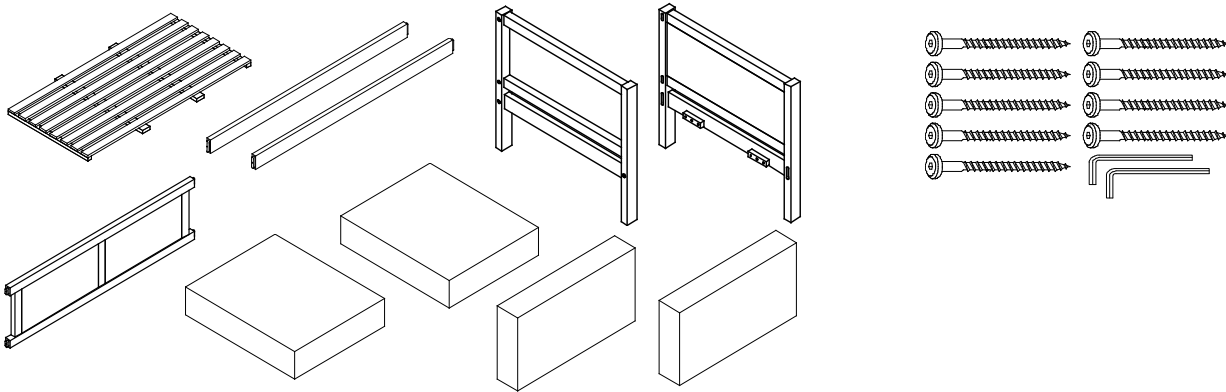
Label	Picture	Description	Qty
C		Seat Panel	1
D		Backrest Panel	1
E		Right Panel	1
F		Left Panel	1
G		Support Bar	2
H		Seat Cushion	2
I		Back Cushion	2

Hardware

No.	Picture	Description	Qty
④		Screw (M7x90mm)	9
⑤		Allen Wrench	2

Assembly Preparation

Before Beginning Assembly:



Read instructions, cover to cover.



Have 2 adults on hand for assembly.



Do not assemble on flooring or carpet.



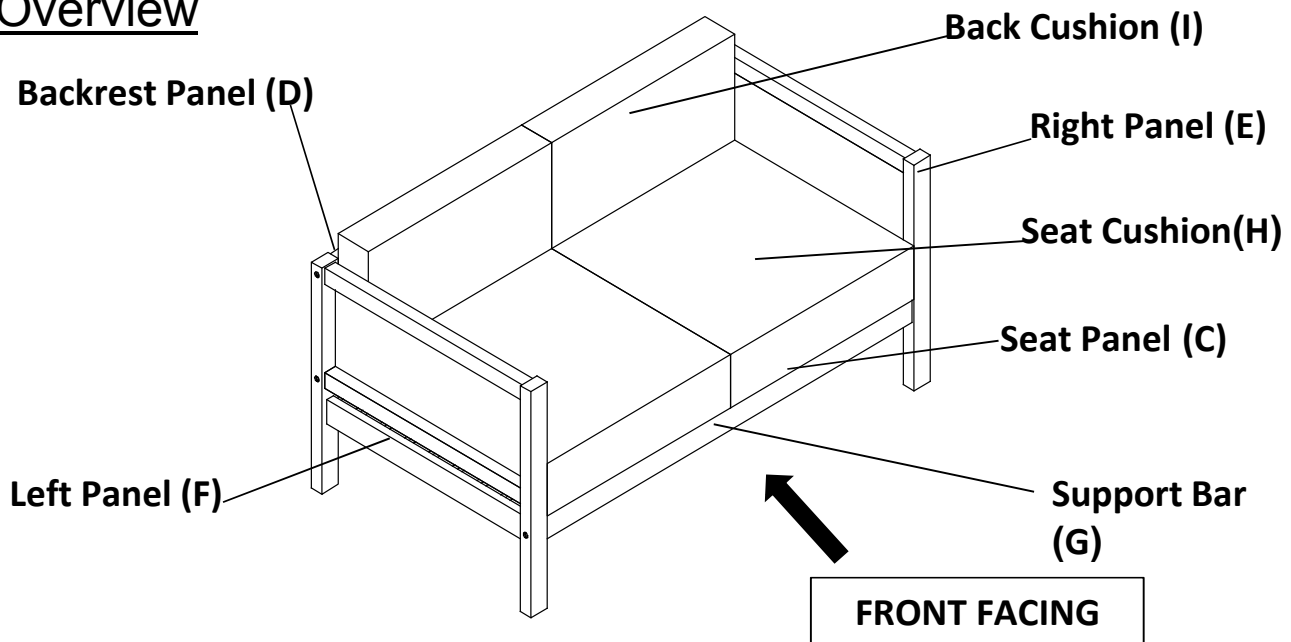
Assemble on a clean non-marring surface (packing foam).



Save all packaging until finished.

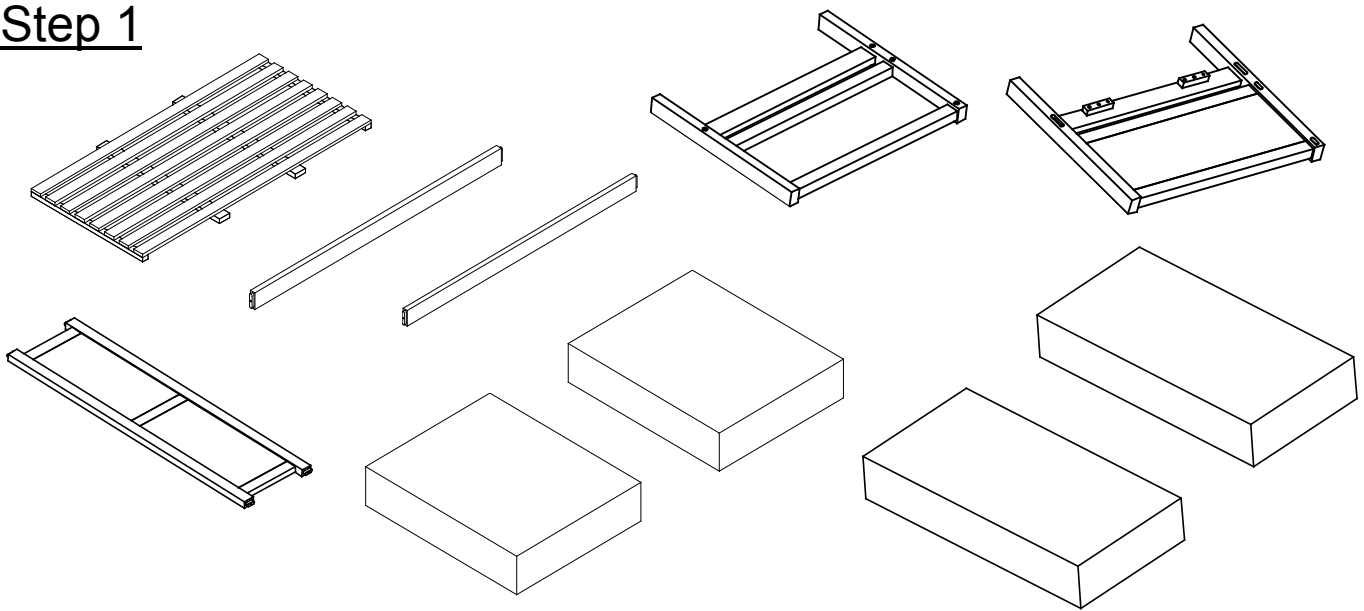
Assembly Steps

Overview



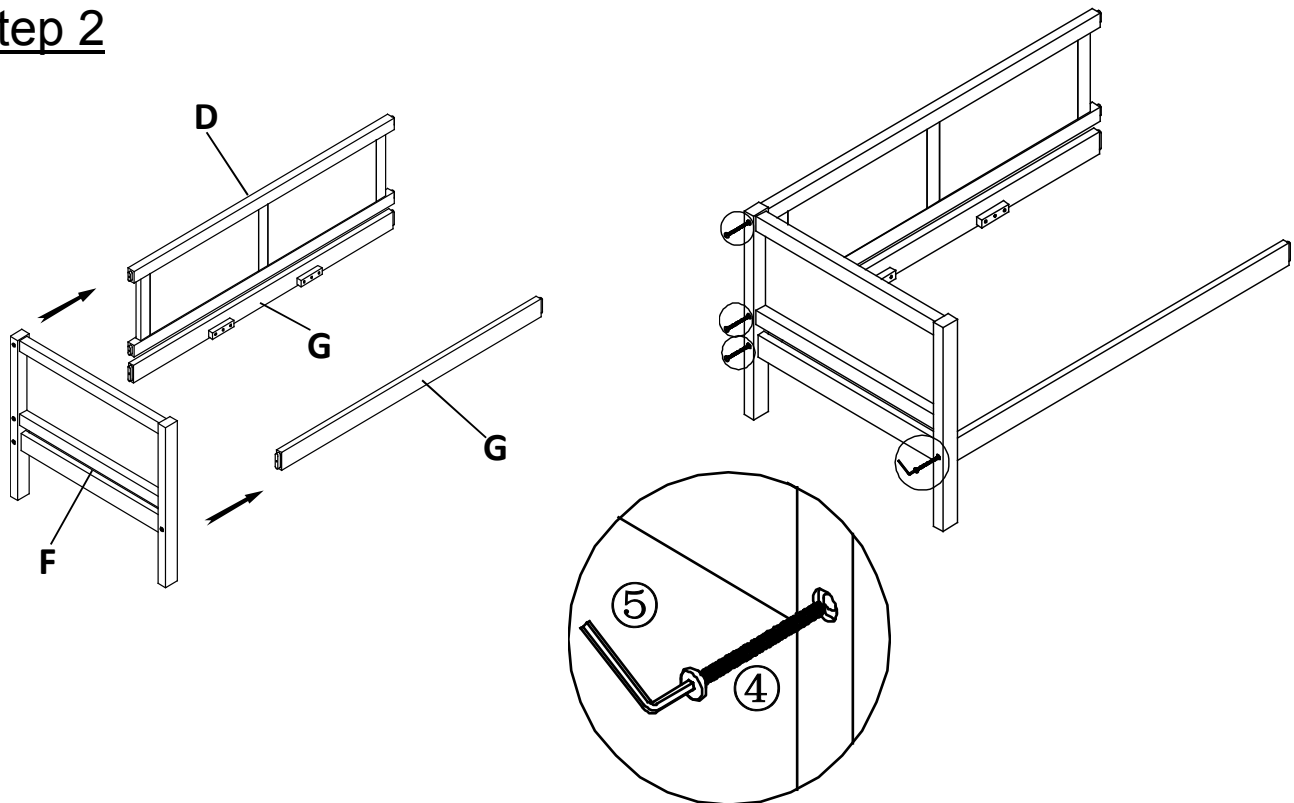
This Loveseat has multiple parts and may require up to 30 minutes to assemble. To give you an overview of the Loveseat parts, the above picture is to help you put the various parts into perspective. Please read through the instructions below to familiarise yourself with the parts and steps before assembly.

Step 1



Unpack and place all parts on a clean, non-marring surface.

Step 2

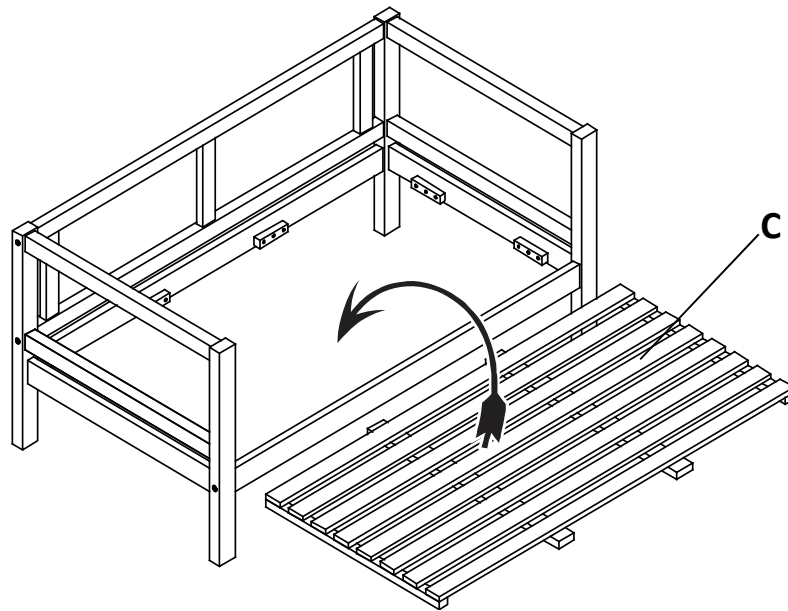


With the help of your adult partners, attached the tenons of Backrest Panel (D) and Support Bar (G) into the mortises of Left Panel (F) using Screws (4) with Allen Wrench (5) as shown in picture above.

Repeat the same process with the Right Leg (E)

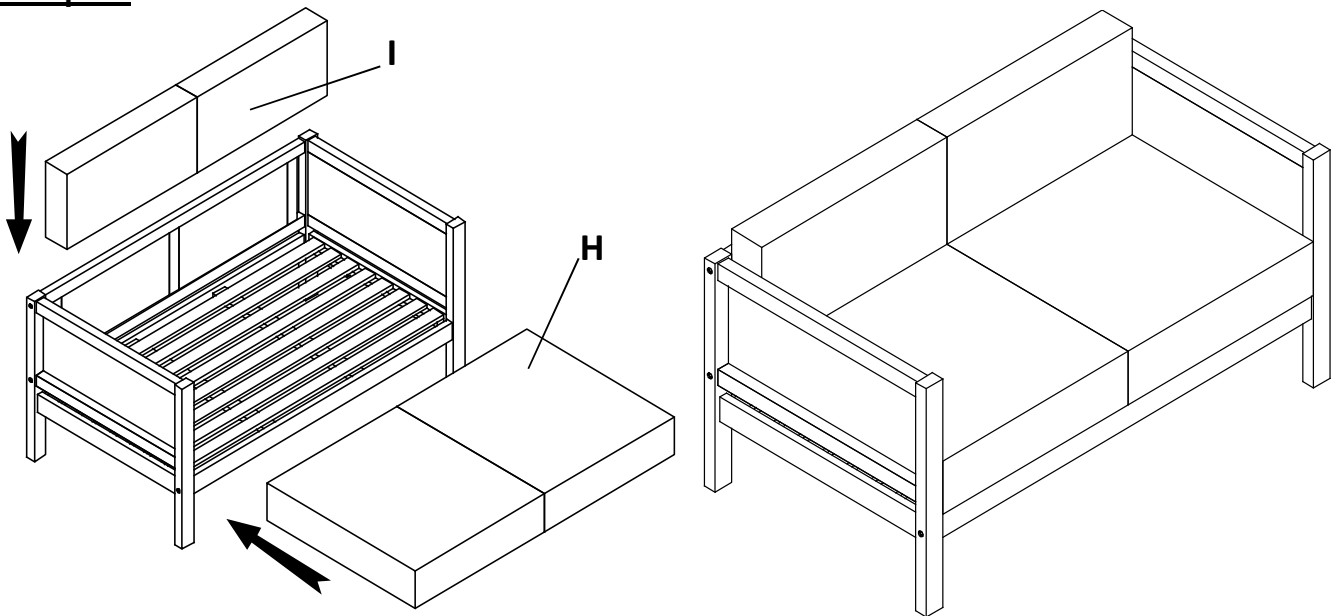
Do not fully tighten the Bolts and Screw.

Step 3













Insert Seat Panel (C) into assembled on step 2 as pictured above.

Step 4



Place Seat Cushion(H) and Back Cushion(I) onto the Loveseat.
Then EXERT pressure, floorwards onto the Loveseat with both hands.
This pressure will help the Loveseat reach full alignment at all joints.
In a sequential manner, gradually tighten all Scews at all joints until evenly secured.
Inspect the Loveseat and make sure all parts are adequately connected.
Your Loveseat is ready for use.
This Loveseat can only be used on a flat, level surface.

Care & Maintenance

- ⊘  ● Do not put hot items directly on furniture surface.
 - ⊘  ● Do not clean furniture with harsh cleansers or polish.
 - ✓  ● To obtain the longest lifespan of your outdoor products, minimizing exposure to direct sunlight is recommended.
 - ⊘  ● Children should not climb or jump on the furniture.
 - ⊘  ● Do not write on furniture without a padded barrier to protect the surface.
 - ✓  ● To obtain the longest lifespan of your outdoor products, avoid extended and lengthy exposure to rain, snow, and direct sunshine. Whenever possible cover the product and /or place under patio or awnings.
 - ⊘  ● Not for commercial use. For residential use only.
 - ⊘  ● Stains may be removed with mild soap solution and damp cloth.
 - ✓  ● Keep away from sources of ignition.
-
- ✓  ● Dust and pick-up spills using a clean, non-colored, lint-free cloth.