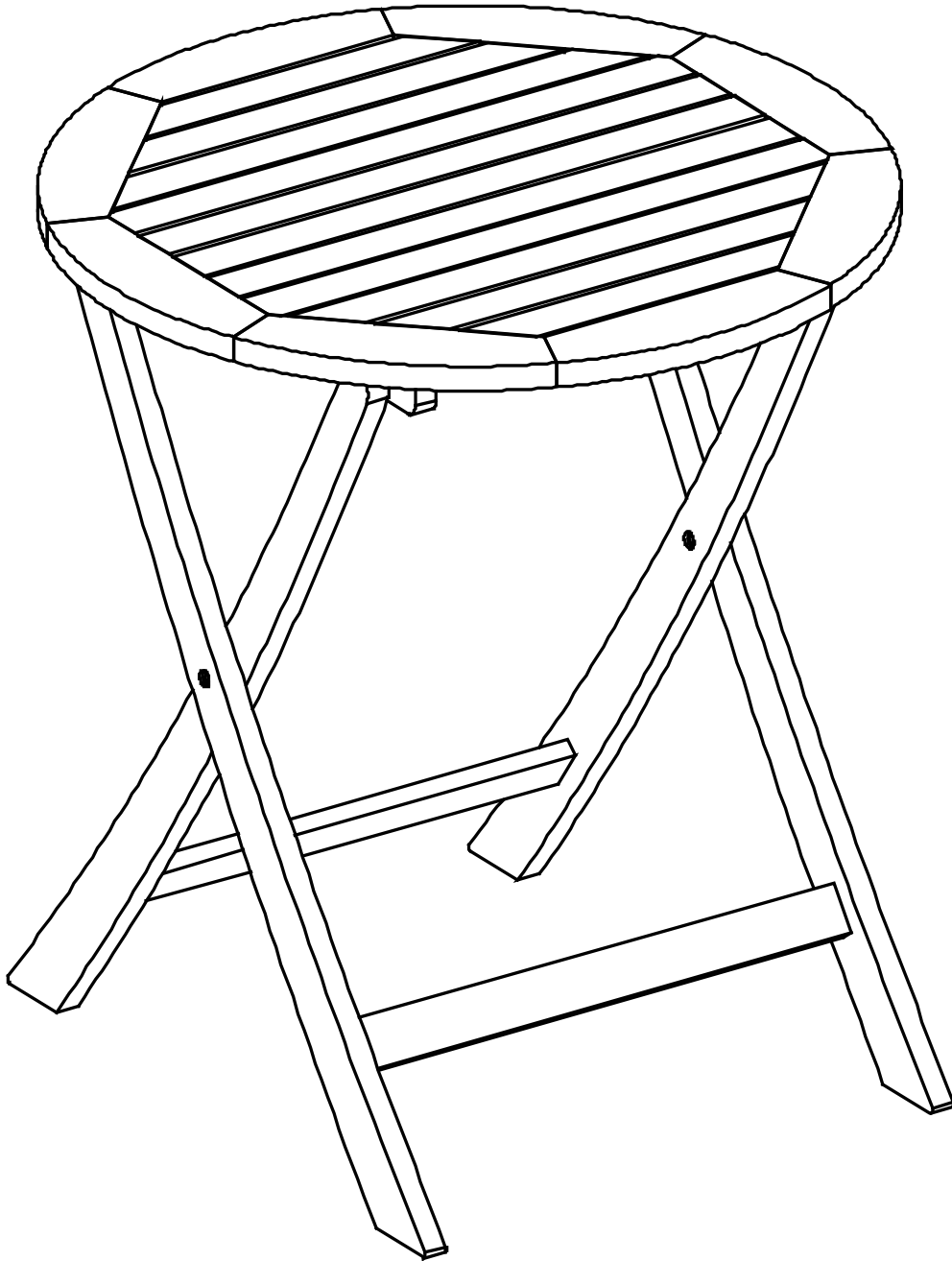


Operating Instructions

Caution: You must read this before you proceed

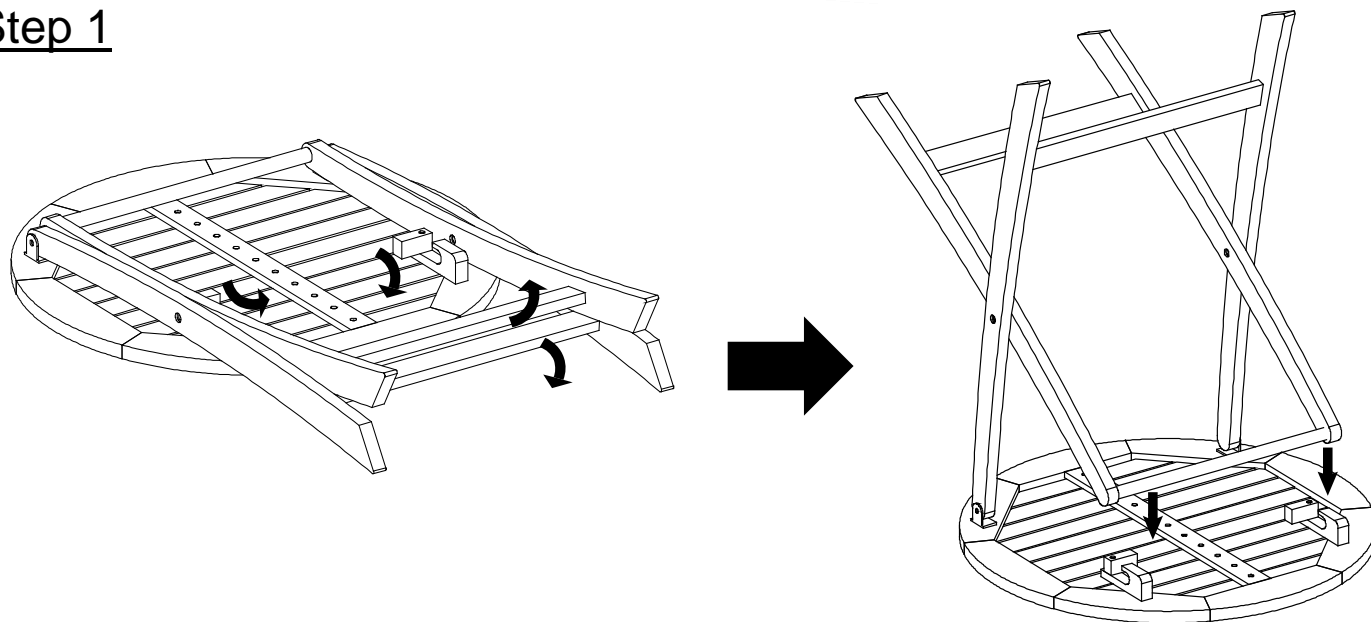
Round Table



Caution: This Table is NOT a TOY.
Keep your child/children at bay when opening or folding the Table.

Operating Instructions

Step 1

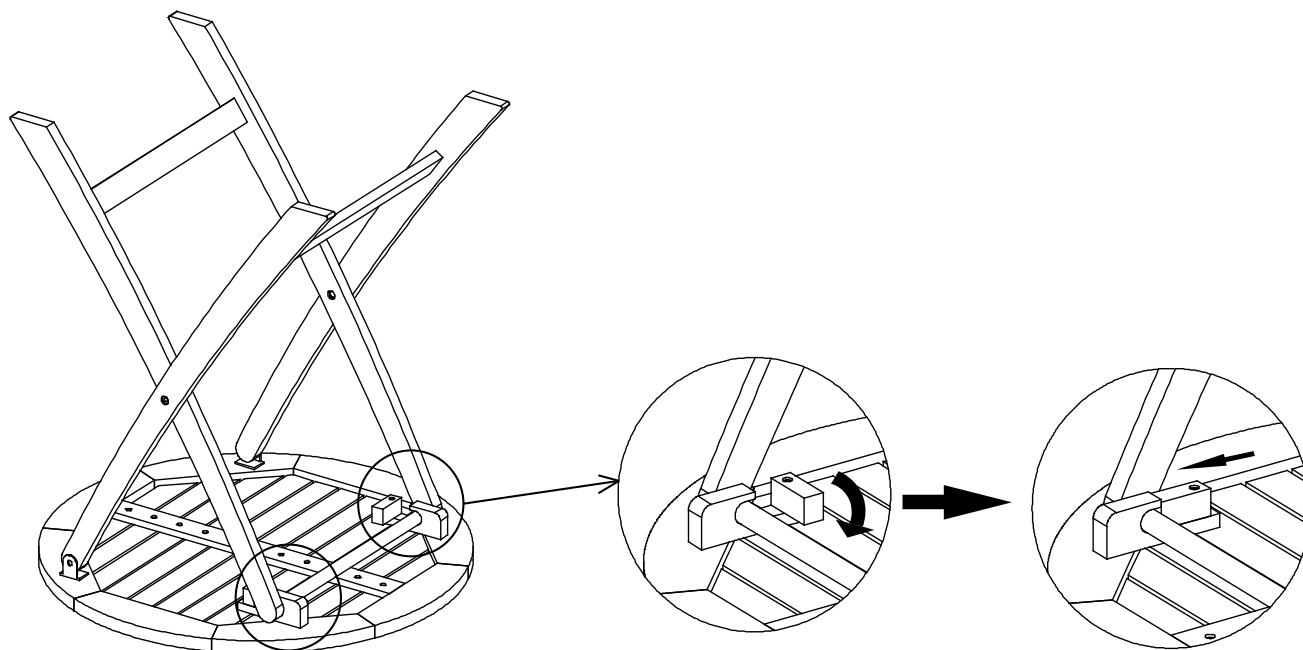


Position the Table facedown on a clean, non-marring surface.

To open:

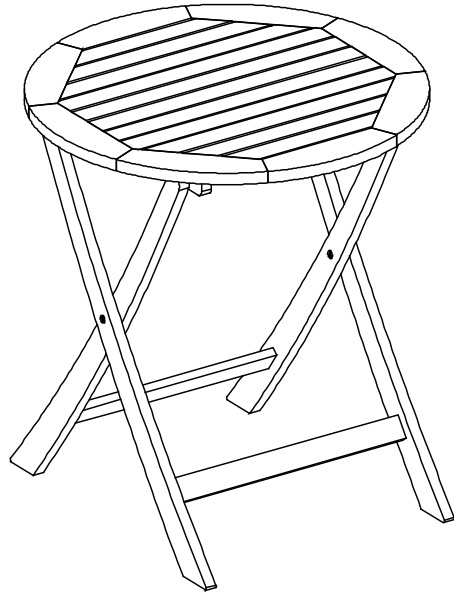
Lift the leg frame upward opening the Iron Leg Frame by hand until the frame folds out, into the position as indicated by the arrows.

Step 2



There are Wooden Locks, when the leg frame is in the correct position, rotate the Wooden Locks 90 degrees as pictured above.

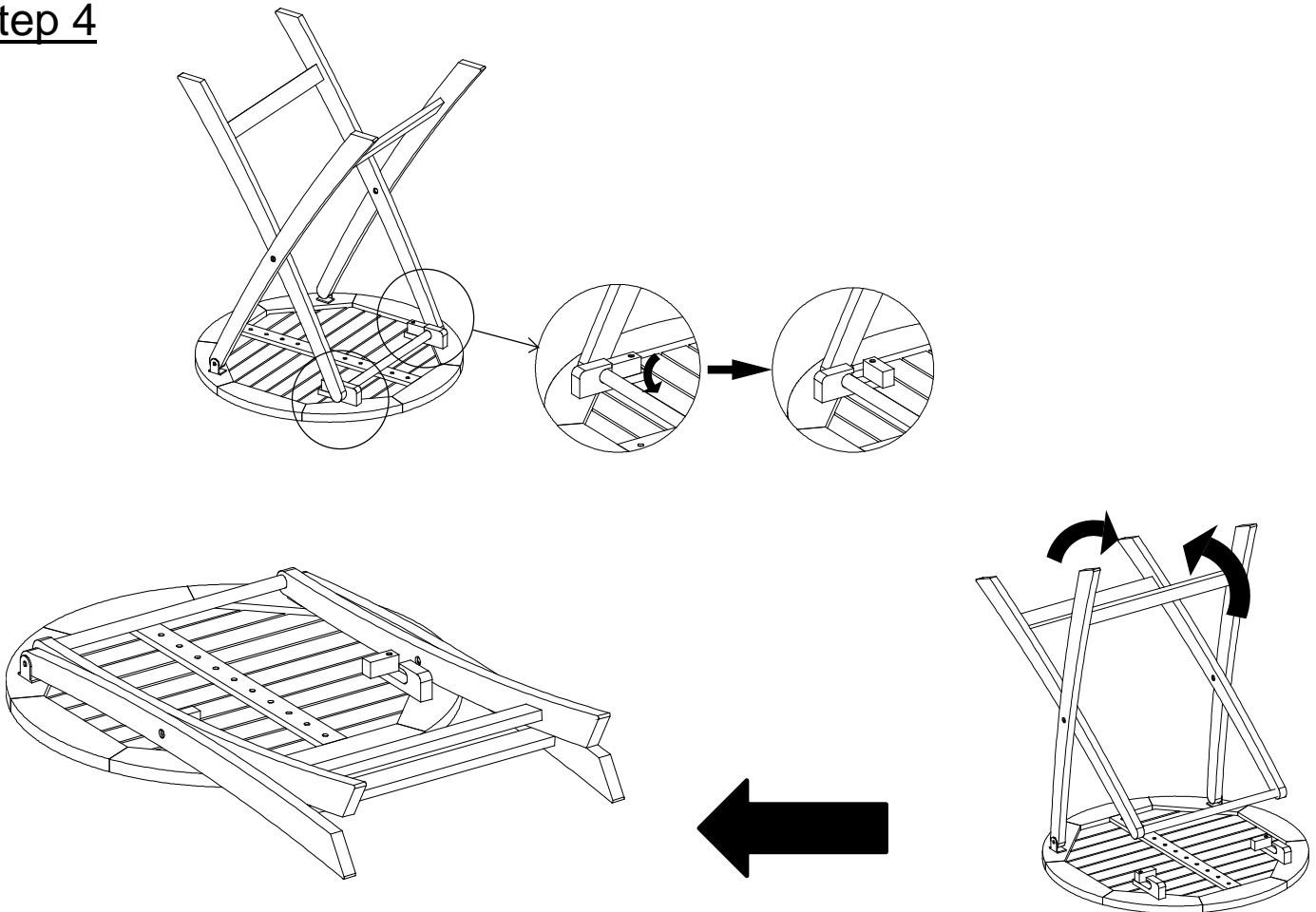
Step 3



Your Table is ready for use.

This Table can only be used on a flat, level surface.

Step 4


















To close:

Turn the Table over, rotate the Wooden Locks 90 degrees. Use two hands to fold the Leg Frame into the Table.

Note: There are Wooden Locks under the Table face, rotate them 90 degrees to unlock before pulling at the Leg Frame.

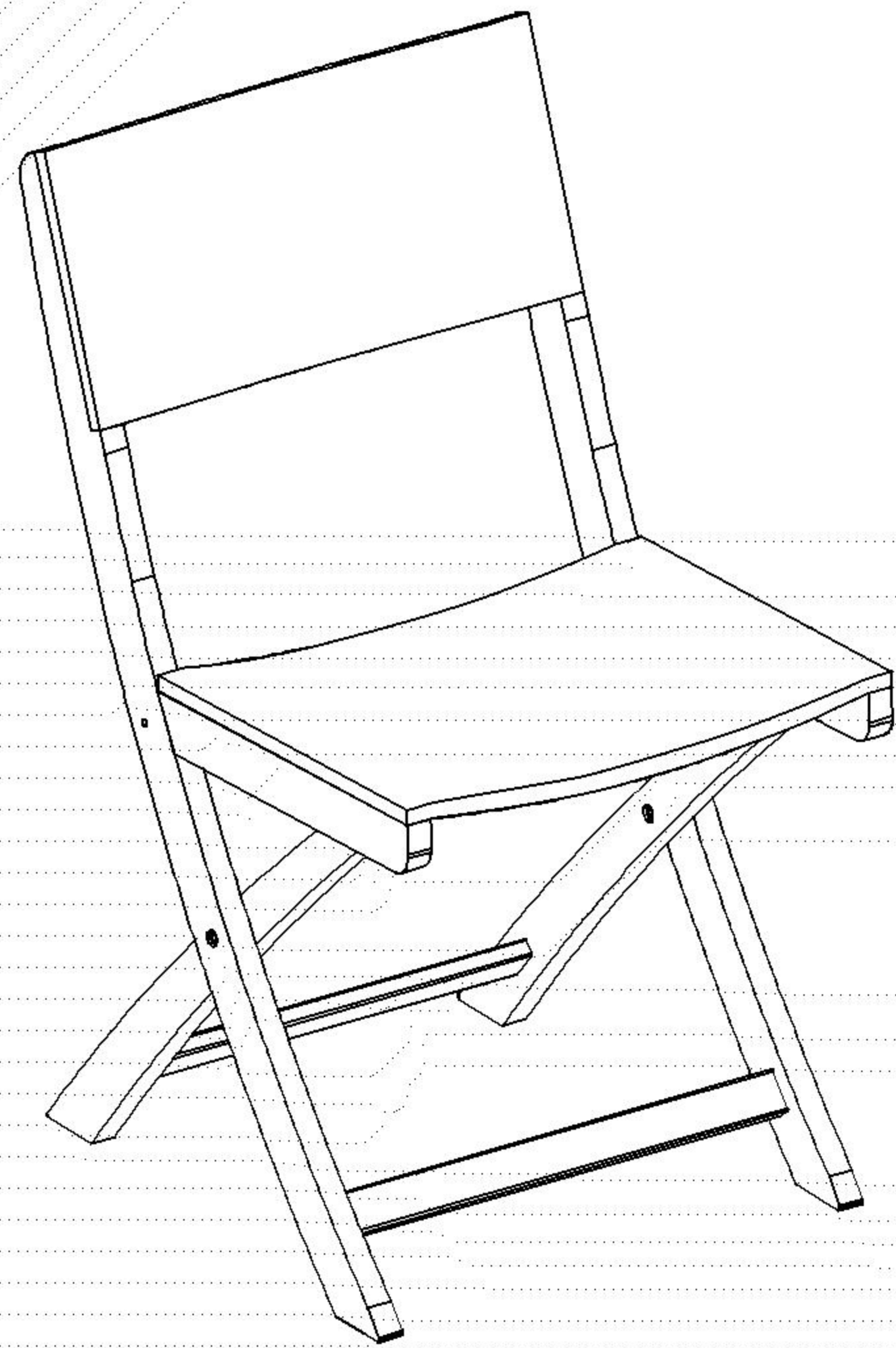
Care & Maintenance

-   ● Do not put hot items directly on furniture surface
 -   ● Do not clean furniture with harsh cleansers or polish.
 - ✓  ● To obtain the longest lifespan of your outdoor products, minimizing exposure to direct sunlight is recommended.
 -   ● Children should not climb or jump on the furniture.
 -   ● Do not write on furniture without a padded barrier to protect the surface.
 - ✓  ● To obtain the longest lifespan of your outdoor products, avoid extended and lengthy exposure to rain, snow, and direct sunshine. Whenever possible cover the product and /or place under patio or awnings.
 -   ● Not for commercial use. For residential use only .
 -   ● Stains may be removed with mild soap solution and damp cloth.
-
- ✓  ● Dust and pick-up spills using a clean, non-colored, lint-free cloth .

Operating Instructions

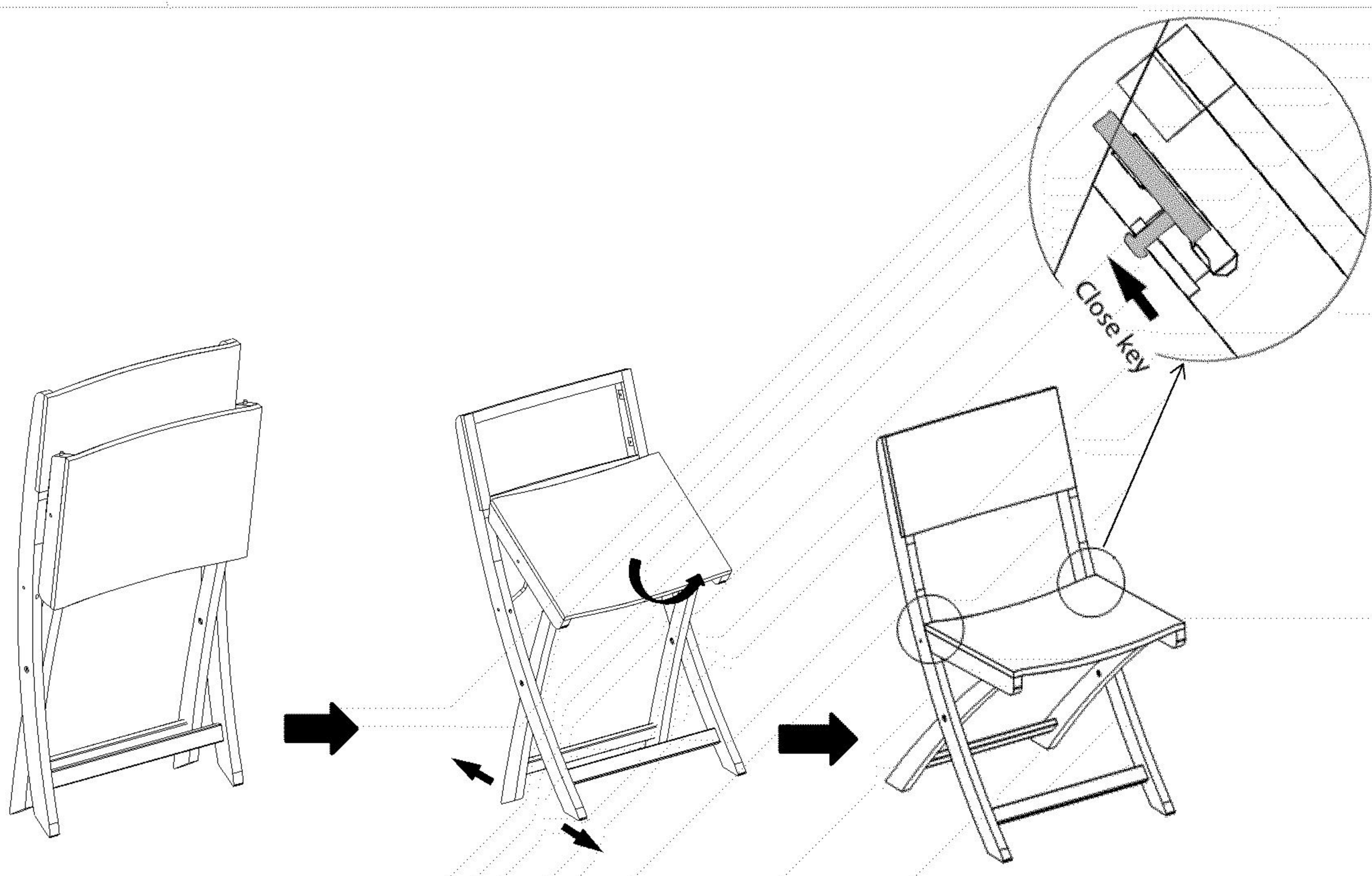
Caution: You must read this before you proceed

Chair



Operating Instructions

Step 1



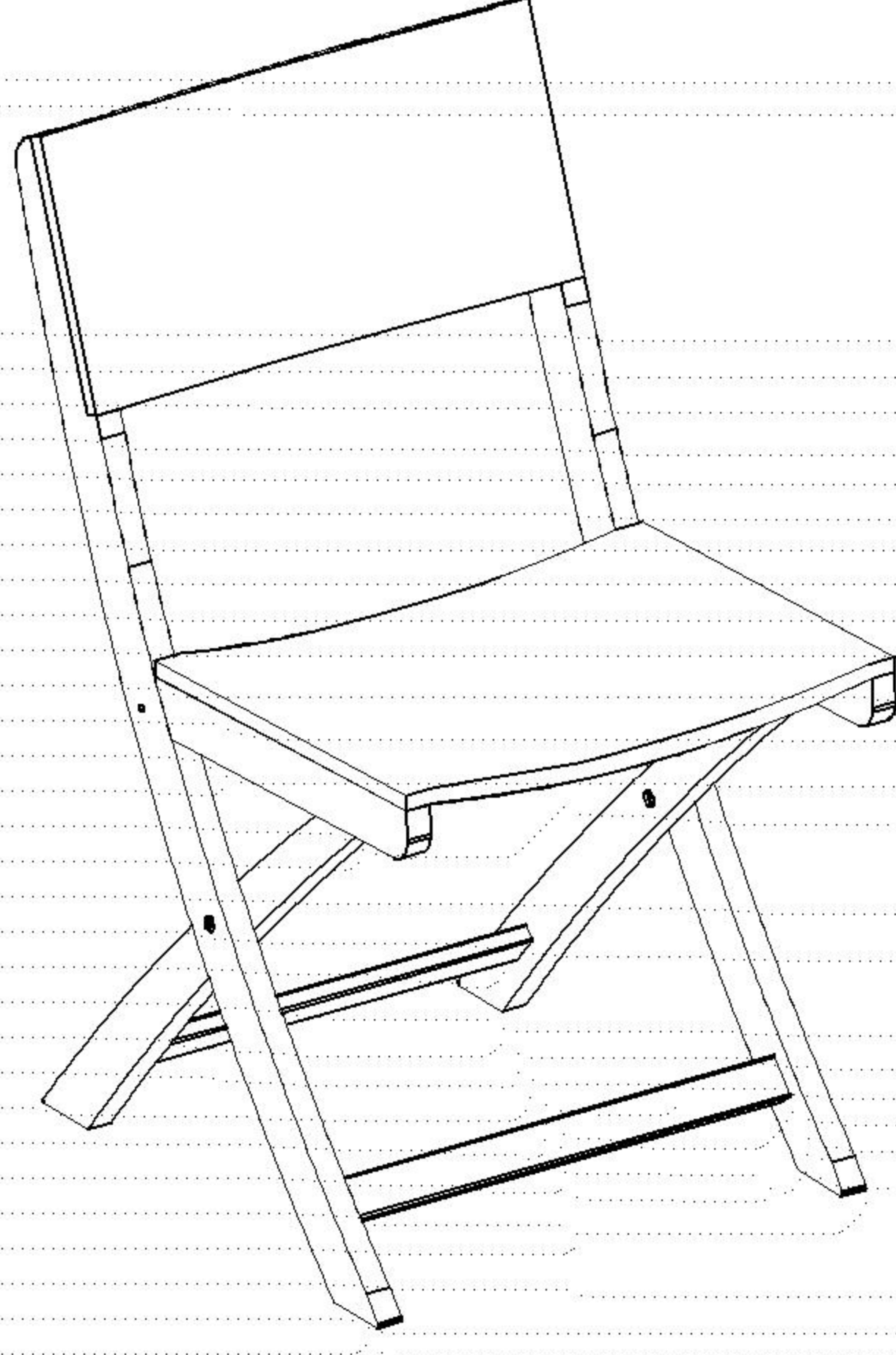
Position the Chair as pictured.

To open:

Pull the Seat forward with one hand and steady the Chair with your other hand. Unfold Leg Frame as indicated by the arrows, until the Chair folds out and locks into position.

Note: There is a iron latch under the Seat Frame, pull this up by hand to lock/unlock the iron dowel into position.

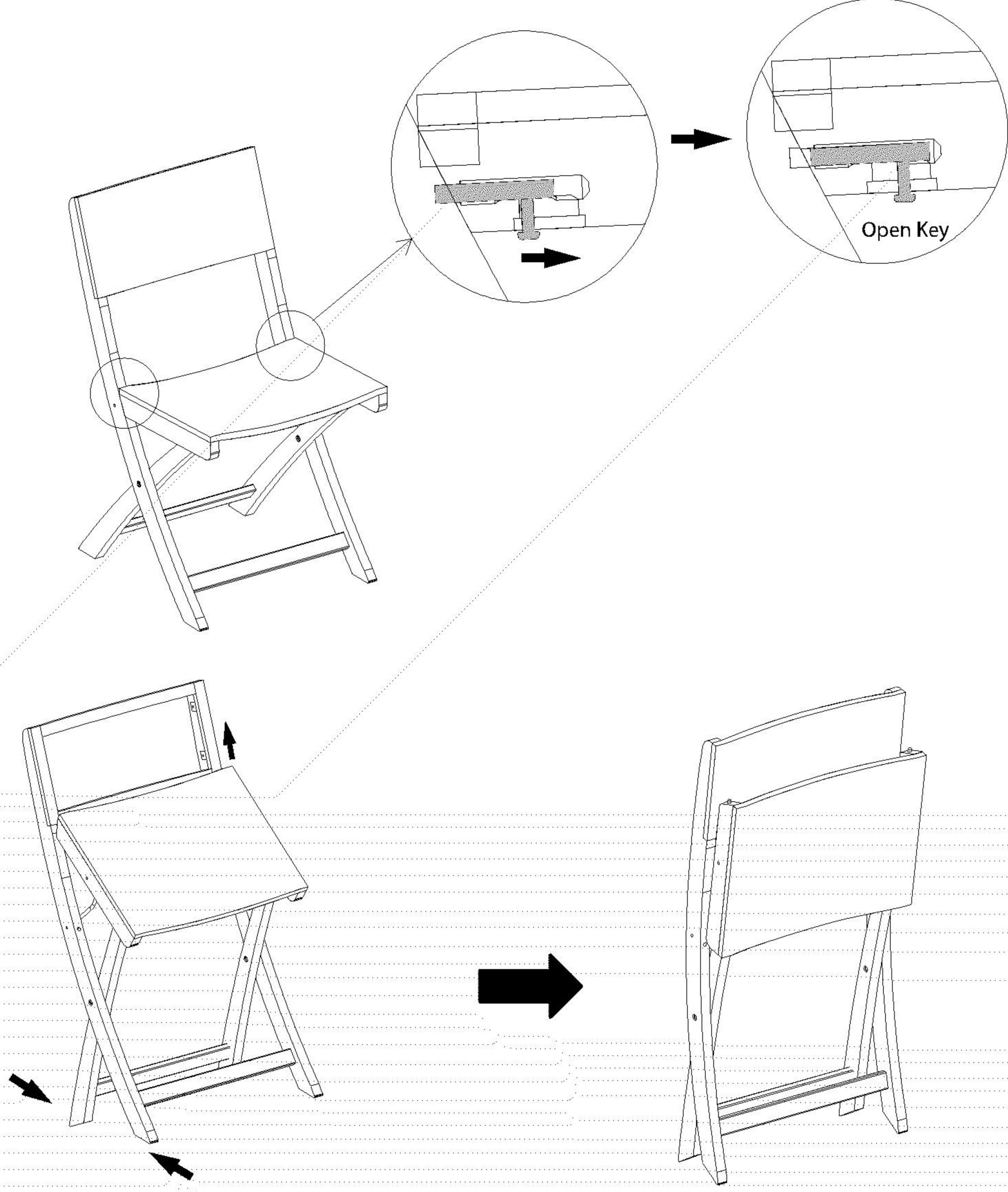
Step 2



Your Chair is ready for use.

This Chair can only be used on a flat, level surface.

Step 3



To close:

Pull the Seat up and fold Iron Leg Frame as indicated by the arrows, by hand, until the Chair folds shut.

Note: There is a iron latch under the Seat Frame, pull this up by hand to lock/unlock the iron dowel into position.

Care & Maintenance

- Do not put hot items directly on furniture surface
- Do not clean furniture with harsh cleansers or polish.
- To obtain the longest lifespan of your outdoor products, minimizing exposure to direct sunlight is recommended.
- Children should not climb or jump on the furniture.
- Do not write on furniture without a padded barrier to protect the surface.
- To obtain the longest lifespan of your outdoor products, avoid extended and lengthy exposure to rain, snow, and direct sunshine. Whenever possible cover the product and /or place under patio or awnings.
- Not for commercial use. For residential use only .
- Stains may be removed with mild soap solution and damp cloth.
- Keep away from sources of ignition.
- Dust and pick-up spills using a clean, non-colored, lint-free cloth.