

Assembly Instructions

Caution : You must read this before you proceed

Care & Maintenance



- Not for commercial use. For residential use only.



- Furniture may scratch floors. We recommend using furniture pads to protect your floors.



- Do not put hot items directly on furniture surface.



- Do not clean furniture with harsh cleansers or polish.



- Do not place furniture under direct sunlight.



- Do not place furniture near heating or cooling vents.



- Do not write on furniture without a padded barrier to protect the surface.



- Do not place furniture outside . For indoor use only.



- Stains may be removed with mild soap solution and damp cloth.



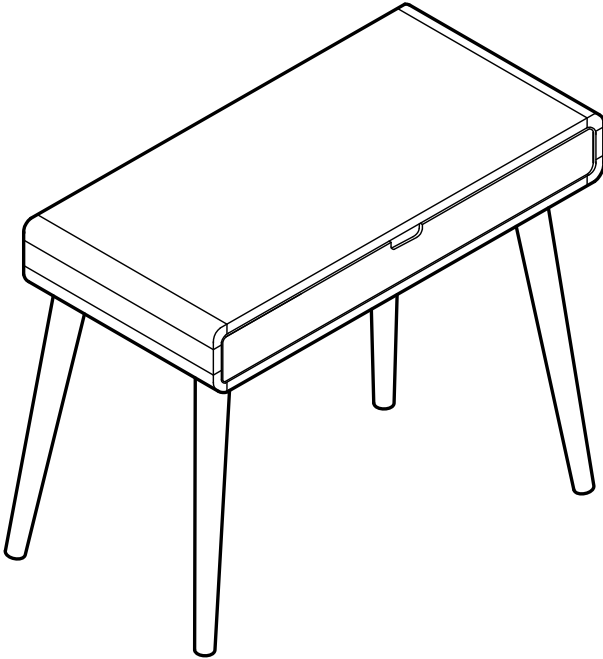
- Children should not climb or jump on the furniture.



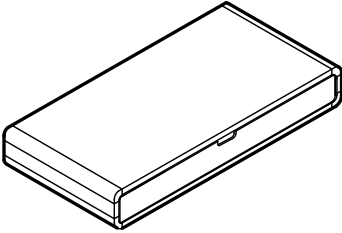

- Dust and pick-up spills using a clean, non-colored, lint-free cloth.

Please look in the inner carton inside the Desk Top (A) for hardware packs and legs. Sets often ship in multiple boxes and may arrive a day or two apart.

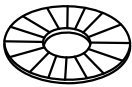
Desk



Part List

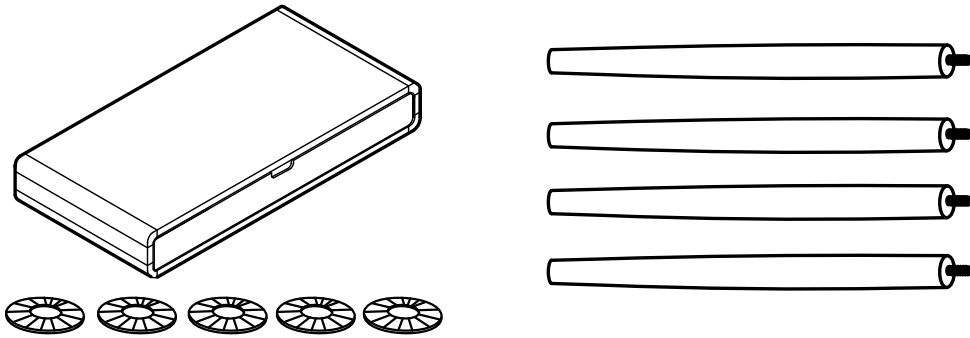
Label	Picture	Description	QTY
A		Desk Top	1
B		Leg	4






Hardware

Label	Picture	Description	QTY
①		Gasket	5

Assembly Preparation

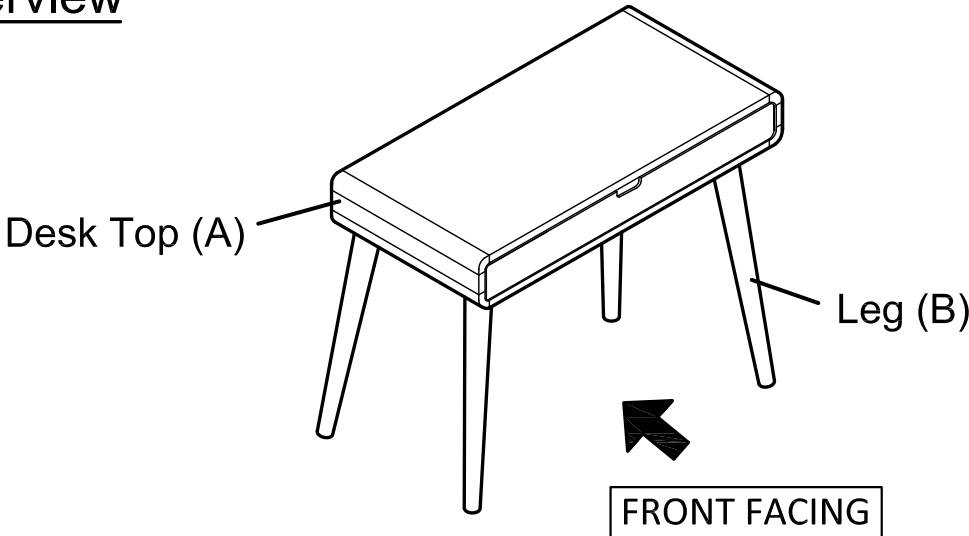
Before Beginning Assembly:



- 
• Read instructions, cover to cover-
- 
• Have 2 adults on hand for assembly-
- 
• Do not assemble on flooring or carpet-
- 
• Assemble on a clean non-marring surface (packing foam)-
- 
• Save all packaging until finished-

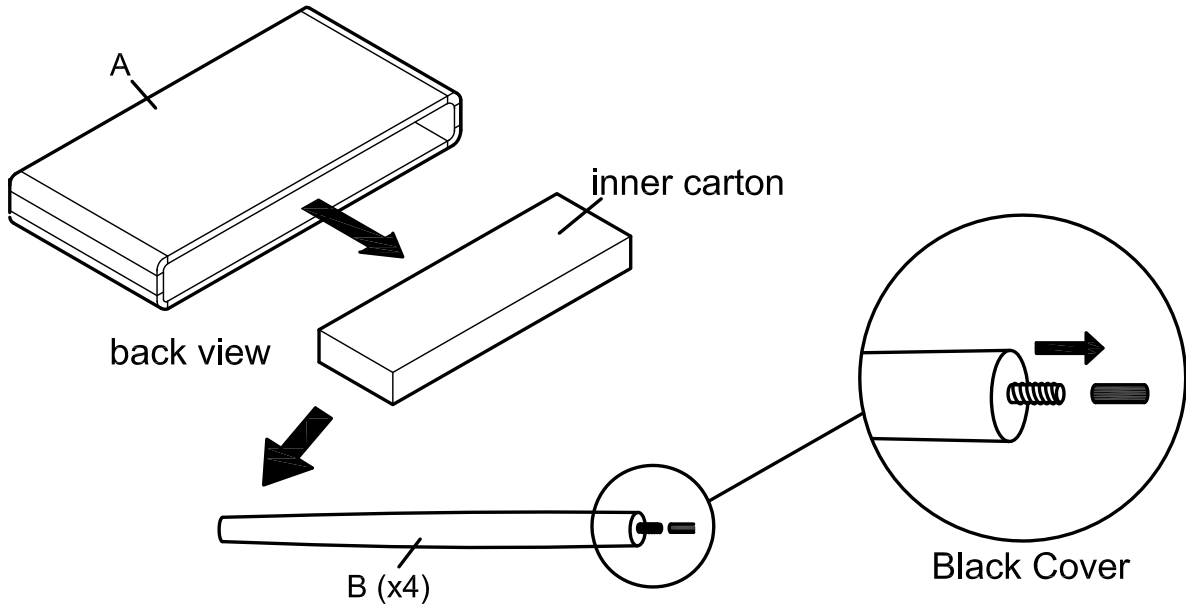
Assembly Steps

Overview



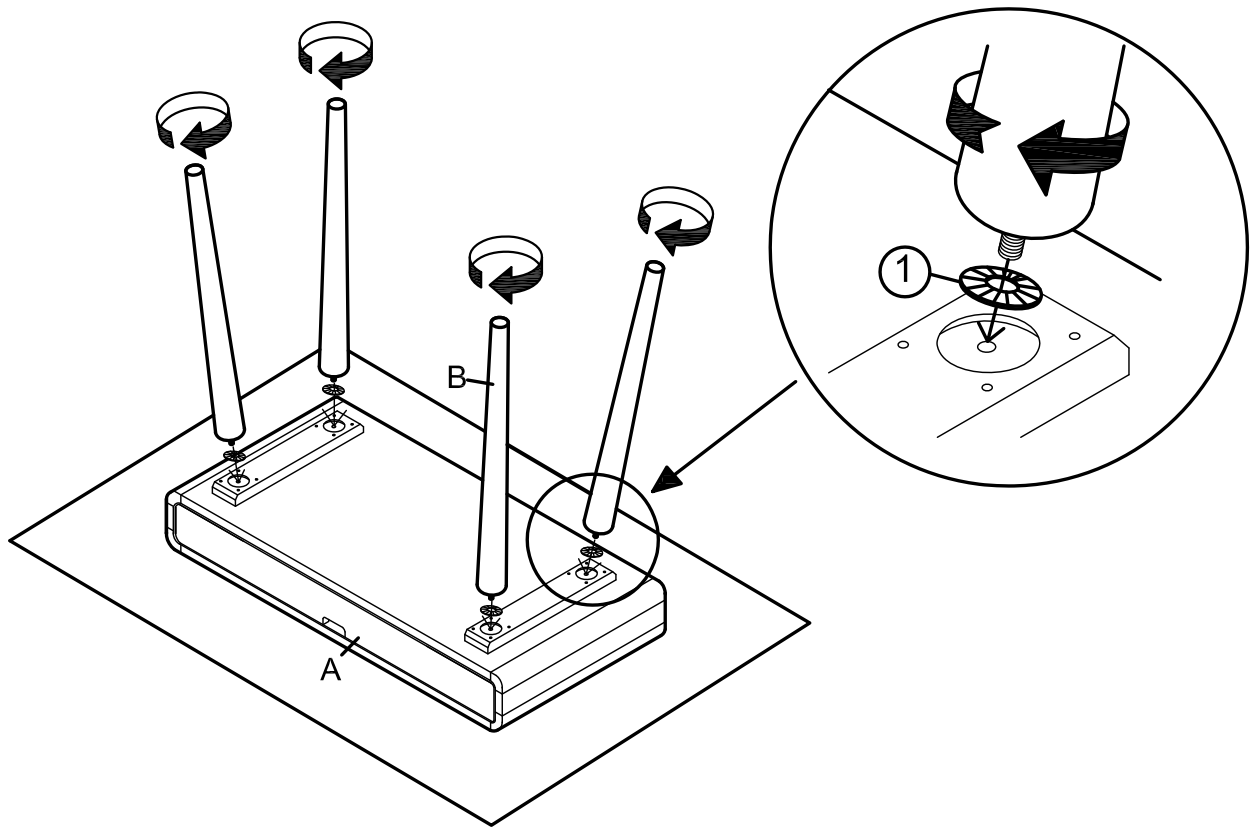
This Desk has multiple parts and may require up to 30 minutes to assemble. To give you an overview of the Desk parts, the above picture is to help you put the various parts into perspective. Please read through the instructions below to familiarise yourself with the parts and steps before assembly.

Step 1



Open the carton and place all parts onto a clean, non-marring surface. Remove the inner carton inside the Desk Top (A). Open the inner carton and take out the 4 wooden legs (B) provided then remove the plastic covers of Legs (B).

Step 2



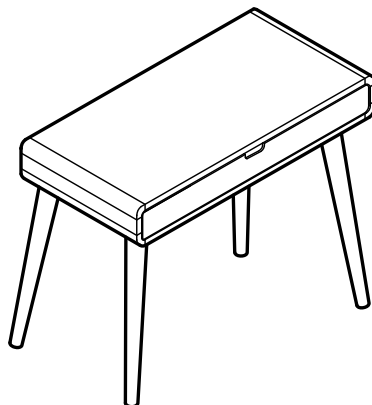
Place Desk Top (A) facedown as pictured above.
Install Leg (B) into Desk Top(A) by putting a Gasket (①) onto the threaded stem.
Then insert the threaded stem of the Leg (B) into the threaded housing at the bottom of the Desk Top (A) as pictured above.
Tighten by turning Leg clockwise.
Repeat the same process to install the remaining three Legs.

Note:The use of the Gaskets are **OPTIONAL** and are especially useful to help alleviate slight wobbles.

Some legs may need more than one gasket whilst some legs may not need any. recommended.

Using more than two gaskets on any single leg is not recommended.

Step 3



Your Desk is now ready for use.

This Desk can be only used on a flat, level surface.