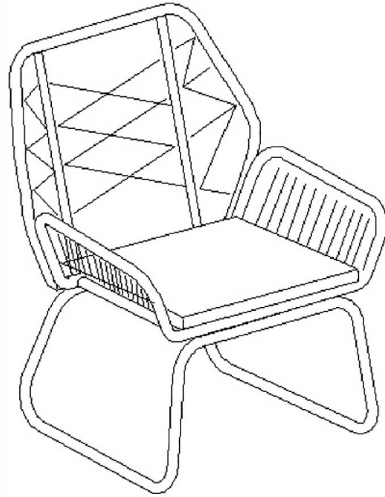


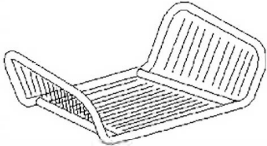
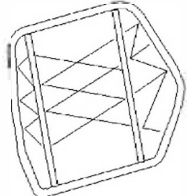
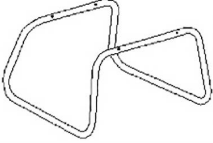

Assembly Instructions

Caution : You must read this before you proceed

Chair



Part List

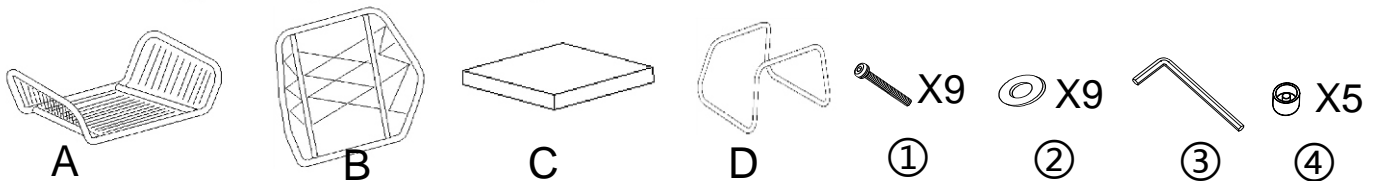
Label	Picture	Description	QTY
A		Seat	1
B		Backrest	1
C		Seat Base	1
D		Seat Cushion	1

Hardware

Label	Picture	Description	QTY
①		Bolt (M6*40mm)	9
②		Washer	9
③		Allen Wrench	1
④		PE Cap	5

Assembly Preparation

Before Beginning Assembly:



- Read instructions, cover to cover-



- Have 2 adults on hand for assembly-



- Do not assemble on flooring or carpet-

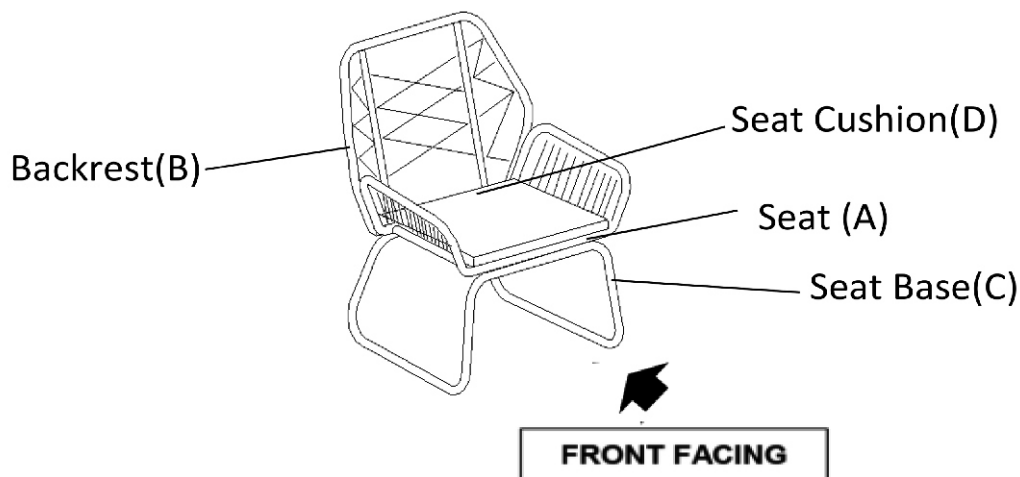


- Assemble on a clean non-marring surface (packing foam)-



- Save all packaging until finished-

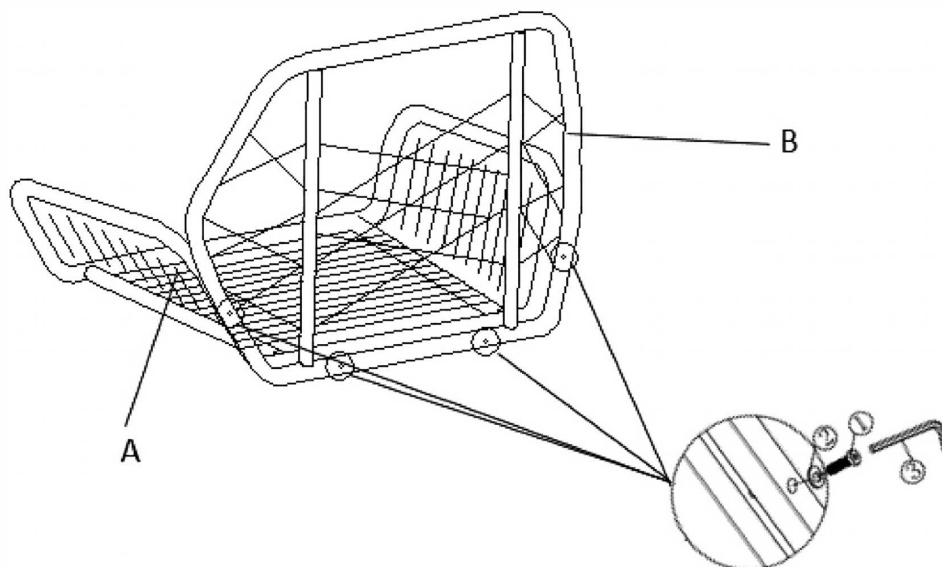
Assembly Steps



This Chair has multiple parts and may require up to 30 minutes to assemble. To give you an overview of the Swivel Chair parts, the above picture is to help you put the various parts into perspective. Please read through the instructions below to familiarise yourself with the parts and steps before assembly.

Assembly Steps

Step 1



Open the carton and place all the parts onto a clean, non-marring surface.

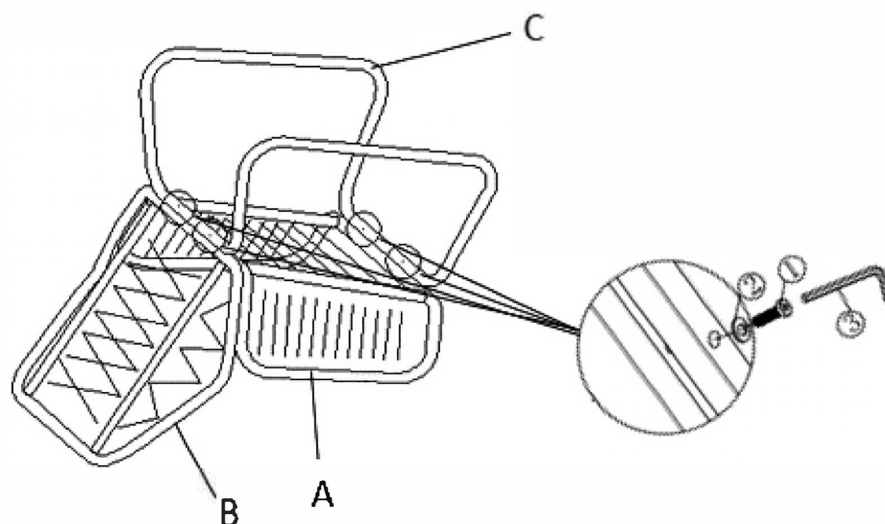
Align the Backrest(B) with Seat (A),

Attach Backrest(B) to Seat (A) using Bolts(①) and Washers(②) with Allen Wrench(③).

Do not fully tighten the Bolts.

Note: Occasionally some of the PE wicker will cover the Bolt points, preventing easy assembly, the PE wicker should not be cut but moved away from the mounting positions.

Step 2

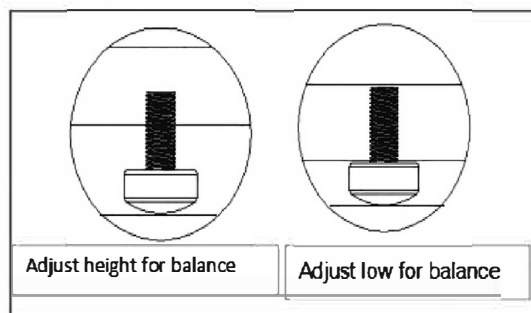
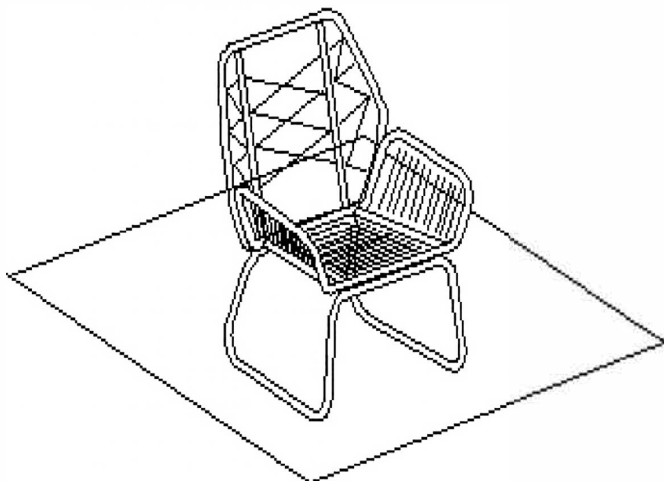


Turn down the Backrest and Seat

Attach Seat Base(C) to Seat Base using Bolts(①) and Washers(②) with Allen Wrench(③) as shown above.

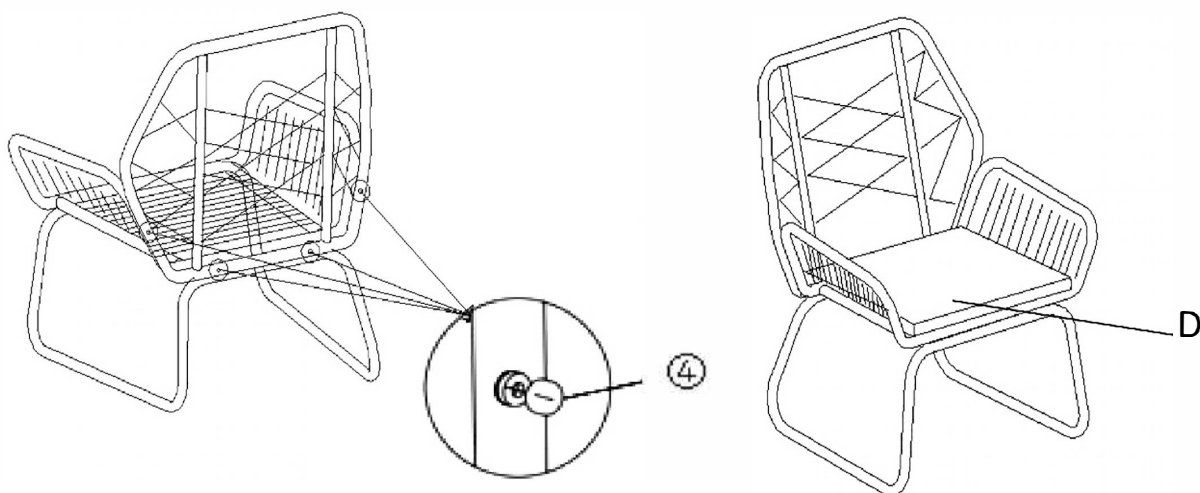
Do not fully tighten the Bolts.

Step 3














Place the Chair on a **LEVEL SURFACE** to check for wobbles. Then, with the assistance from an adult partner, stand the Chair upright. Adjust the Pre-installed Levellers until the Chair is level with the ground. To adjust the Levellers, with the assistance from an adult partner, tilt the Chair to rest on two feet. Adjust the levellers to the desired height to avoid wobbles.

Step 4



Put the PE Cap(④) on the bolts as the picture show above.
Place the Seat Cushion(D) Chair.
Your Chair is ready for use.
This Chair can only be used on a flat, level surface.

Care & Maintenance

- ⊘  ● Prolonged exposure to rain may cause rusting which can stain floors.
- ⊘  ● Do not put hot items directly on furniture surface.
- ⊘  ● Do not clean furniture with harsh cleansers or polish.
- ✓  ● To obtain the longest lifespan of your outdoor products, minimizing exposure to direct sunlight is recommended.
- ⊘  ● Children should not climb or jump on the furniture.
- ⊘  ● Do not write on furniture without a padded barrier to protect the surface.
- ✓  ● To obtain the longest lifespan of your outdoor products, avoid extended and lengthy exposure to rain, snow, and direct sunshine. Whenever possible cover the product and /or place under patio or awnings.
- ⊘  ● Not for commercial use. For residential use only.
- ⊘  ● Stains may be removed with mild soap solution and damp cloth.
- ✓  ● Keep away from sources of ignition.
- ✓  ● Dust and pick-up spills using a clean, non-colored, lint-free cloth.