

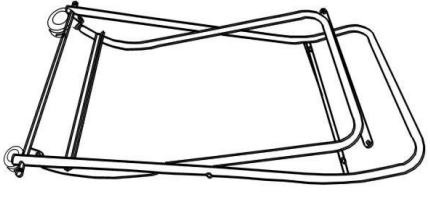
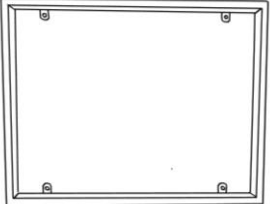
Assembly Instructions

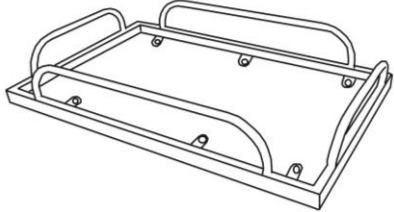
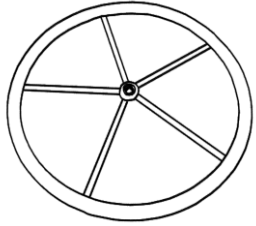


Caution: You must read this before you proceed.

Barcart



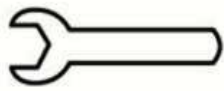



Part List

Label	Picture	Description	QTY
A		Iron Frame	1
B		Bottom Shelf	1

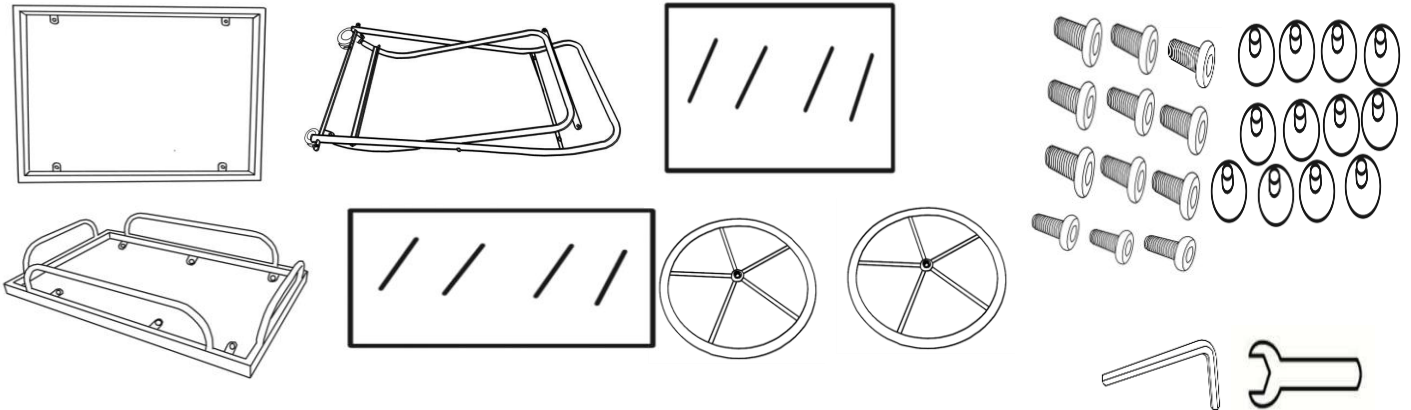
C		Top Shelf	1
D		Wheel	2
E		Top Glass	1
F		Bottom Glass	1

Hardware

Label	Picture	Description	QTY
①		Allen Key (M6)	1
②		Bolt (M6*16mm)	12
③		Spanner (M10)	1
④		Glass Suction Cup	12

Assembly Preparation

Before Beginning Assembly:



- Read instructions, cover to cover-



- Have 2 adults on hand for assembly-



- Do not assemble on flooring or carpet-



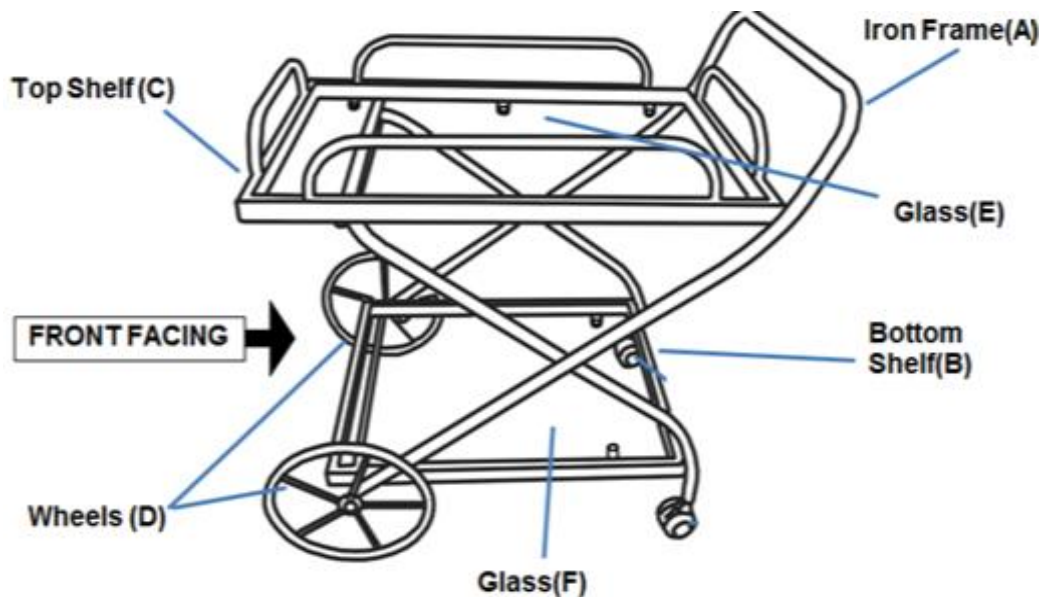
- Assemble on a clean non-marring surface (packing foam)-



- Save all packaging until finished-

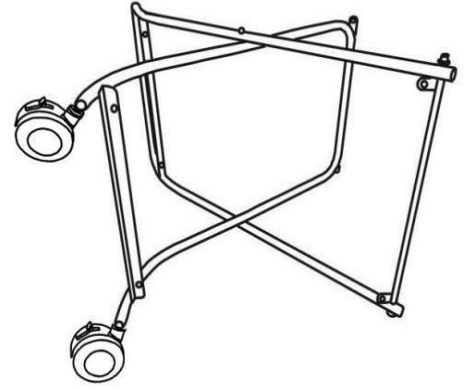
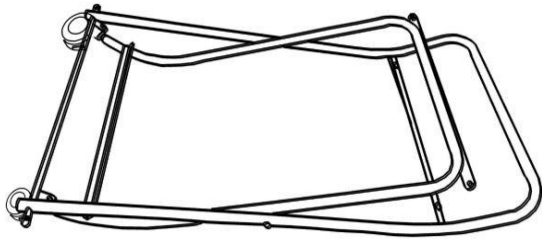
Assembly Steps

Overview



This Barcart has multiple parts and may require up to 30 minutes to assemble. To give you an overview of the Barcart parts, the above picture is to help you put the various parts into perspective. Please read through the instructions below to familiarise yourself with the parts and steps before assembly.

Step 1



(A)

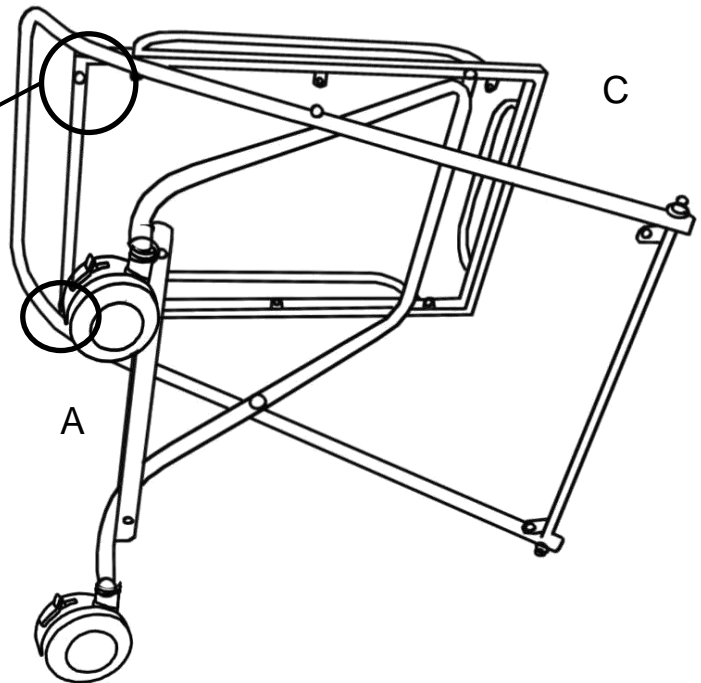
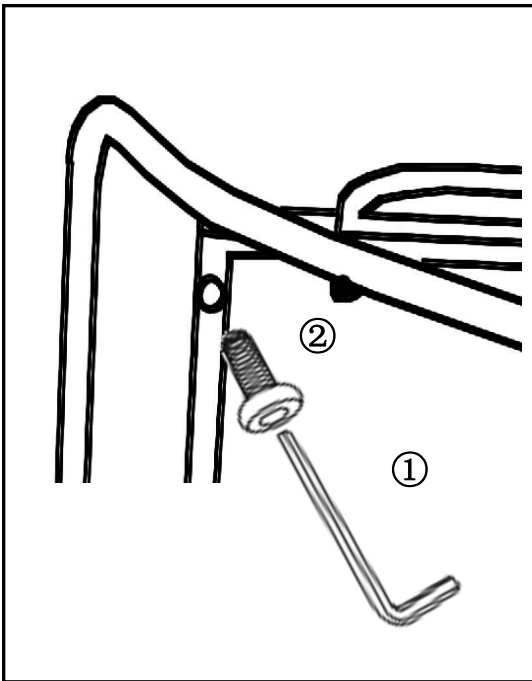
Unpack all parts and place on a clean, non-marring surface.

With assistance from your adult partner, unfold Iron Frame(A) in both up and down directions.

Then put it side down on the floor.

Caution: Please don't put your hand in the middle of the gap to avoid any hurt.

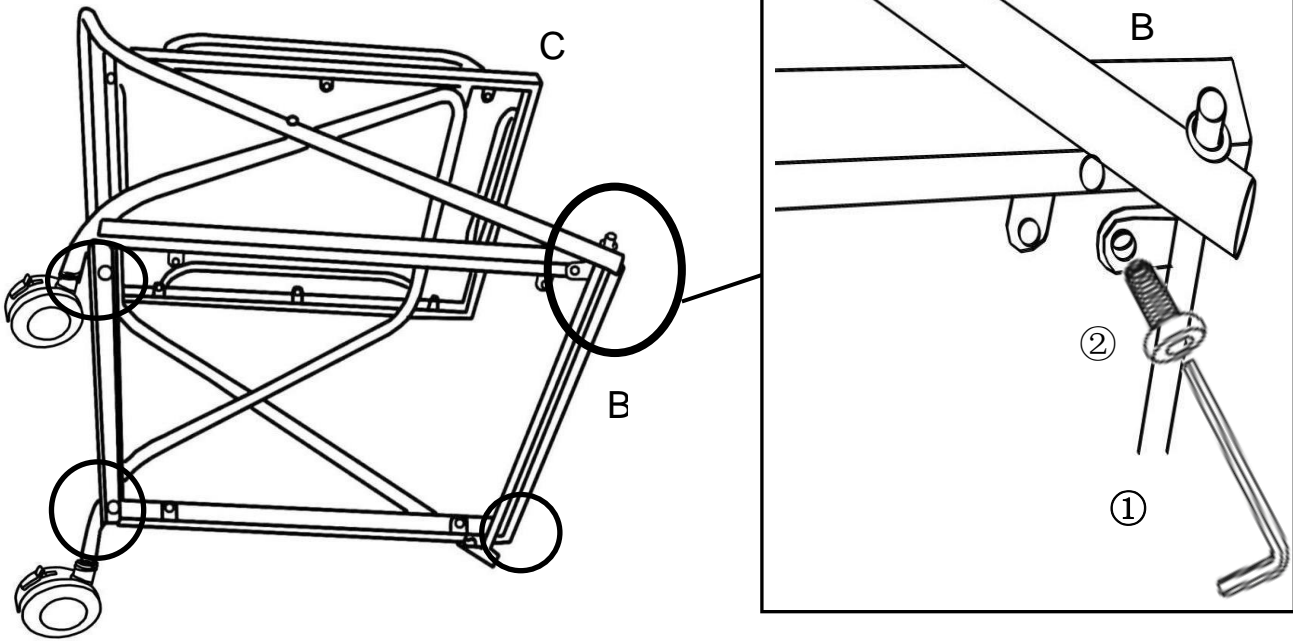
Step 2



Attach Top Shelf(C) to Iron Frame(A) using Bolts(2) with Allen Key(1).

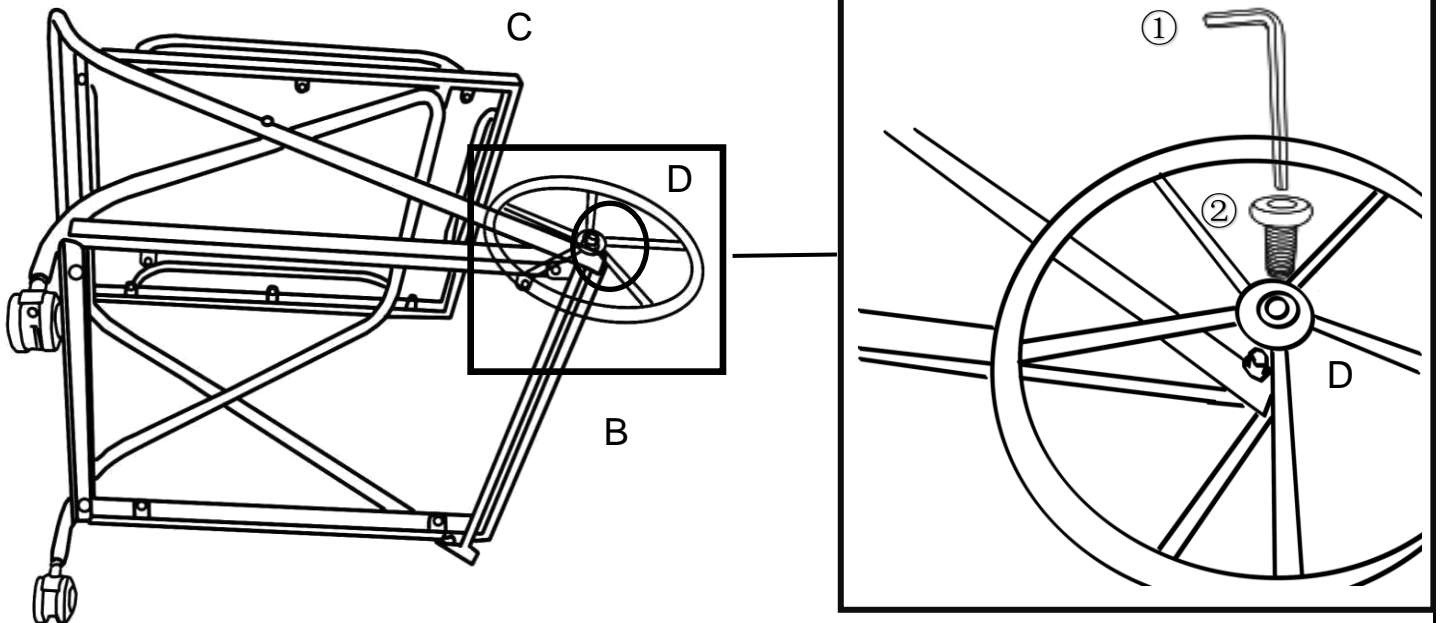
Do not fully tighten the Bolts.

Step 3



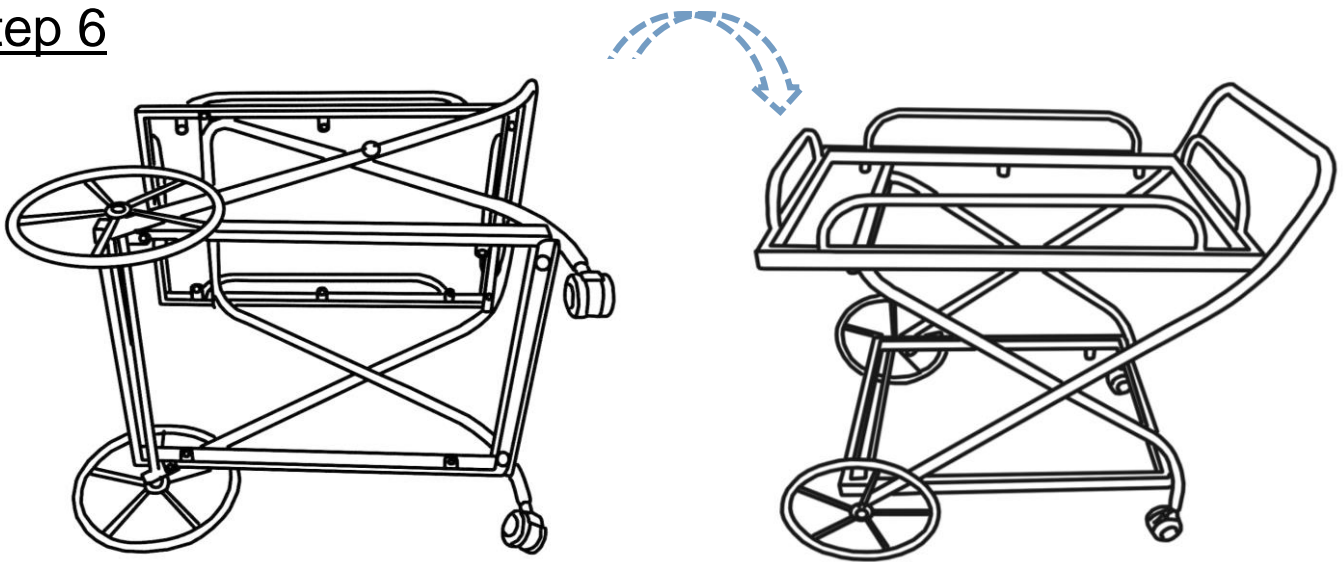
Attach Bottom Shelf(B) to Iron Frame(A) using Bolts(2) with Allen Key(1).
Do not fully tighten the Bolts.

Step 4



Attach Wheels(D) to Iron frame(A) using Bolts(2) with Allen Key(1).
Note: You may need to Tap the Bolt(2) hard, to get it into the mounting position.
Do not fully tighten the Bolts.

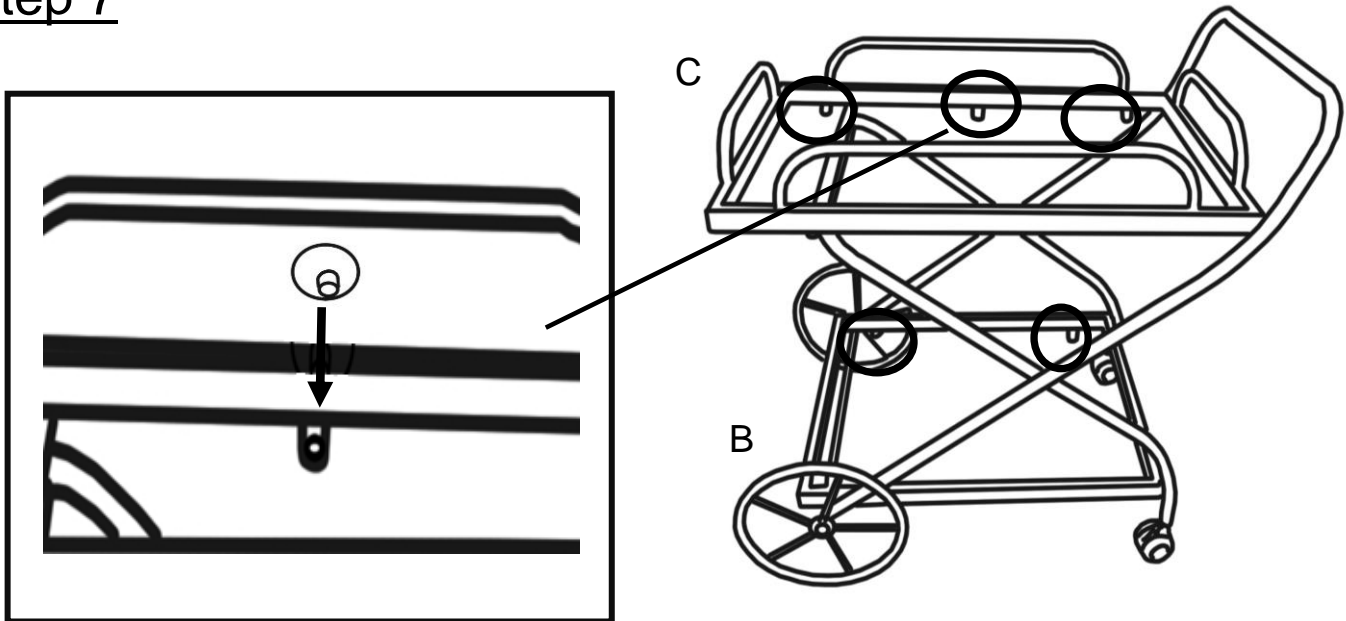
Step 6



Stand the Barcart up.

Now fully tighten all Bolts at all joints in a sequential manner.

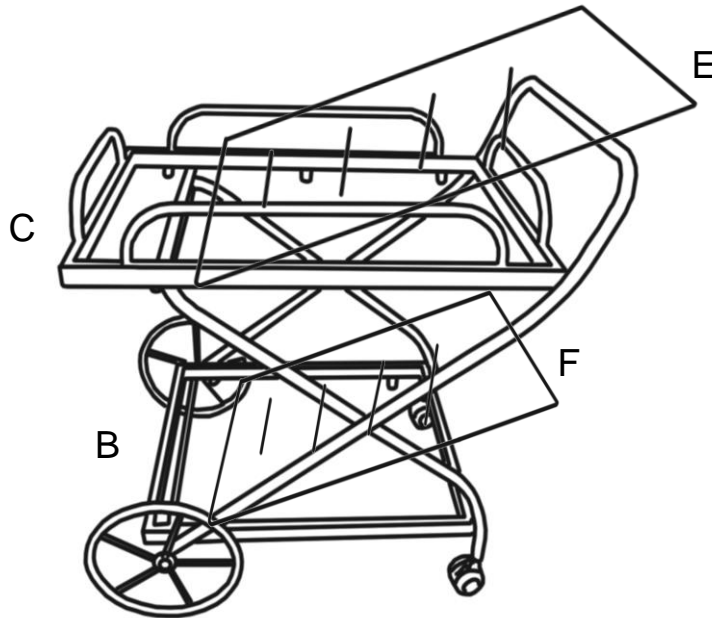
Step 7



Insert Glass Suction Cups(⑤) into Top Shelf(C) and Bottom Shelf(B) as shown.

Note: You can press the Glass Suction Cups(⑤) with Allen Key(①) if they do not assemble easily.

Step 8



Place Top Glass(E) onto Top Shelf(C).

Place Bottom Glass(F) onto Bottom Shelf(B).

Gently press down on the Glass Shelves after you put them into the frame.










Step 9



Your Barcart is ready for use.

This Barcart can only be used on a flat, level surface.

Care & Maintenance

- ⊘  • Do not put hot items directly on furniture surface.
 - ⊘  • Do not clean furniture with harsh cleansers or polish.
 - ✓  • To obtain the longest lifespan of your outdoor products, minimizing exposure to direct sunlight is recommended.
 - ⊘  • Children should not climb or jump on the furniture.
 - ⊘  • Do not write on furniture without a padded barrier to protect the surface.
 - ✓  • To obtain the longest lifespan of your outdoor products, avoid extended and lengthy exposure to rain, snow, and direct sunshine. Whenever possible cover the product and /or place under patio or awnings.
 - ⊘  • Not for commercial use. For residential use only .
 - ⊘  • Stains may be removed with mild soap solution and damp cloth.
-
- ✓  • Dust and pick-up spills using a clean, non-colored, lint-free cloth .