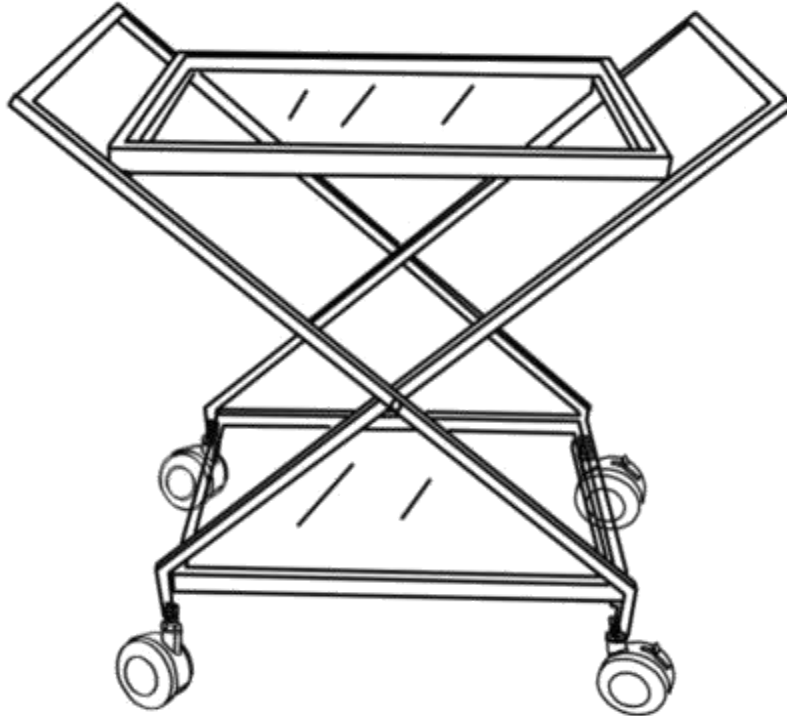





Assembly Instructions



Caution: You must read this before you proceed

Bar Cart



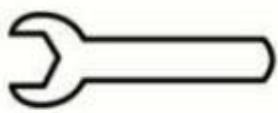



Parts List

Label	Picture	Description	QTY
A		Iron Frame	1
B		Shelf Frame	2
C		Glass Shelf	2

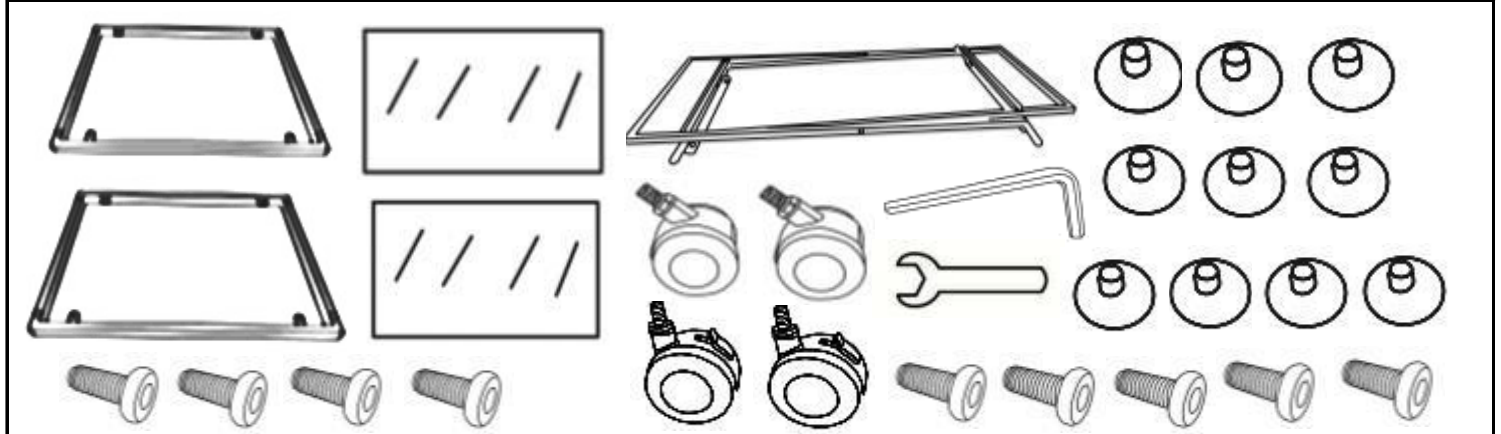
D		Wheel	2
E		Wheel with Brake	2

Hardware

Label	Picture	Description	QTY
①		Allen Key	1
②		Bolt (M6*20MM)	9
③		Spanner	1
④		Glass Suction Cup	10

Assembly Preparation

Before Beginning Assembly:



- Read instructions, cover to cover-



- Have 2 adults on hand for assembly-



- Do not assemble on flooring or carpet-



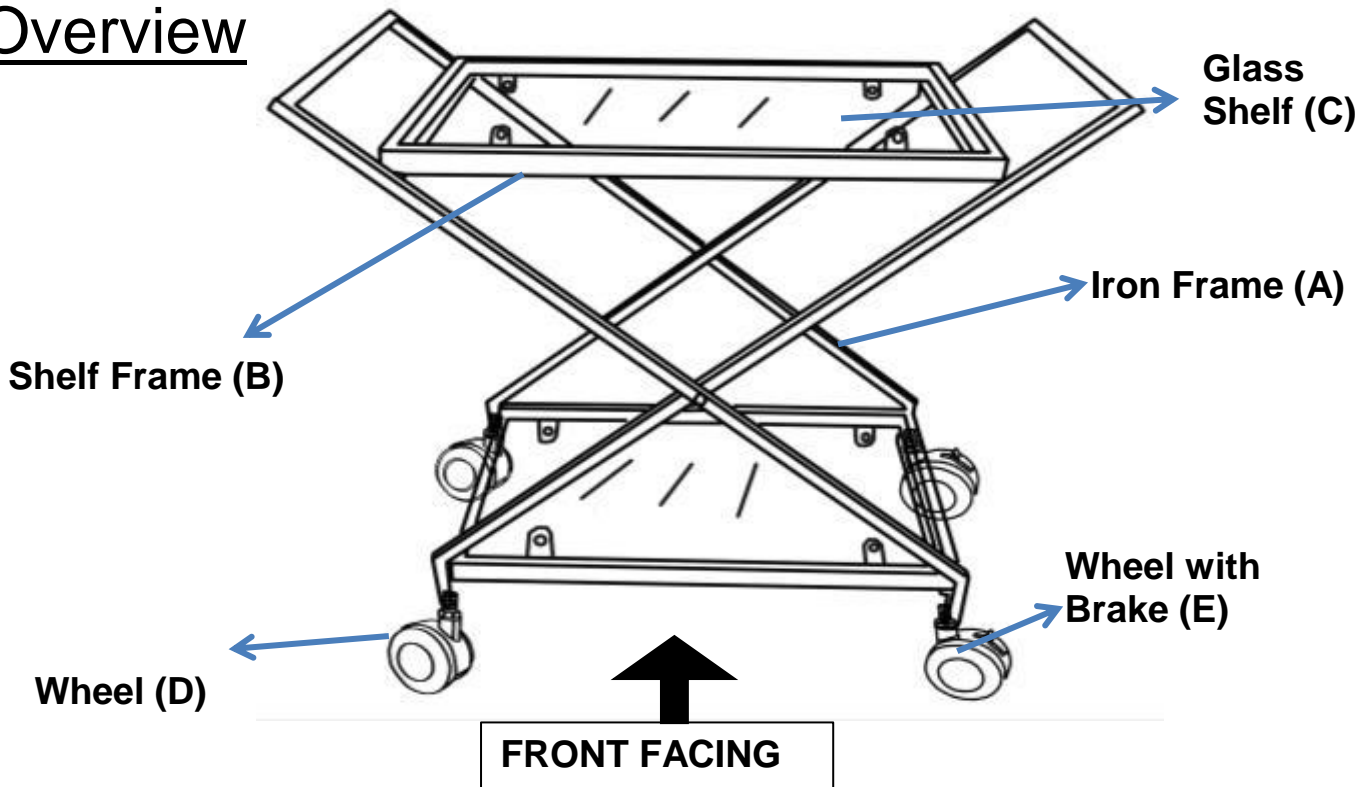
- Assemble on a clean non-marring surface (packing foam)-



- Save all packaging until finished-

Assembly Steps

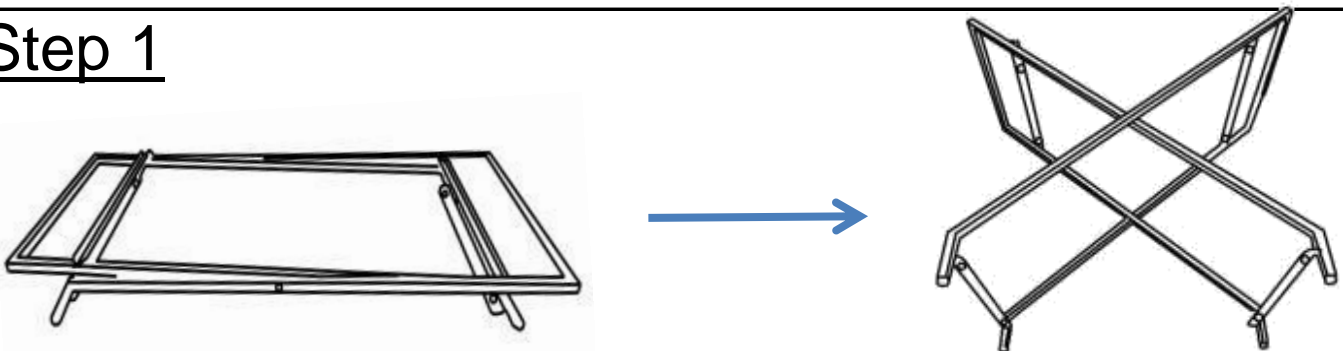
Overview



This Bar Cart has multiple parts and may require up to 30 minutes to assemble. To give you an overview of the Bar Cart parts, the above picture is to help you put the various parts into perspective.

Please read through the instructions below to familiarise yourself with the parts and steps before assembly.

Step 1



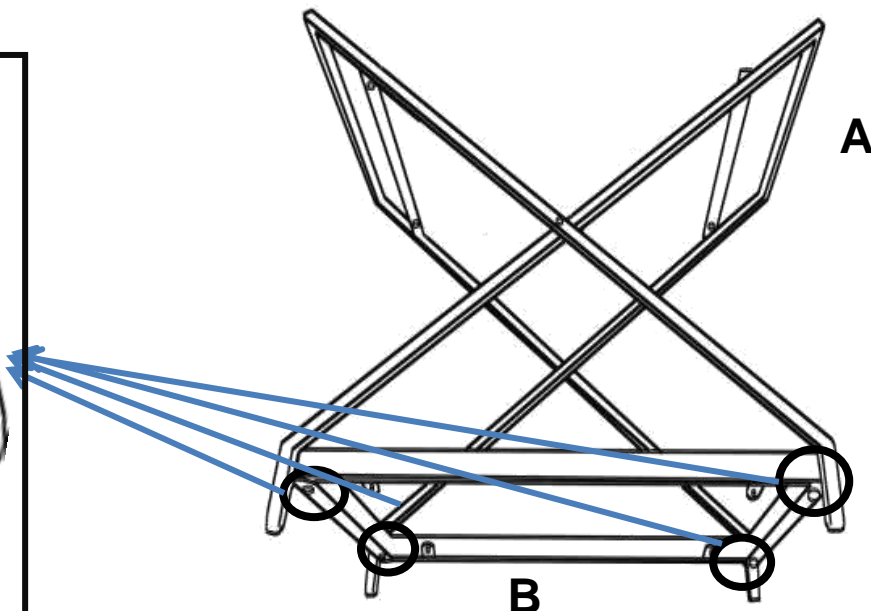
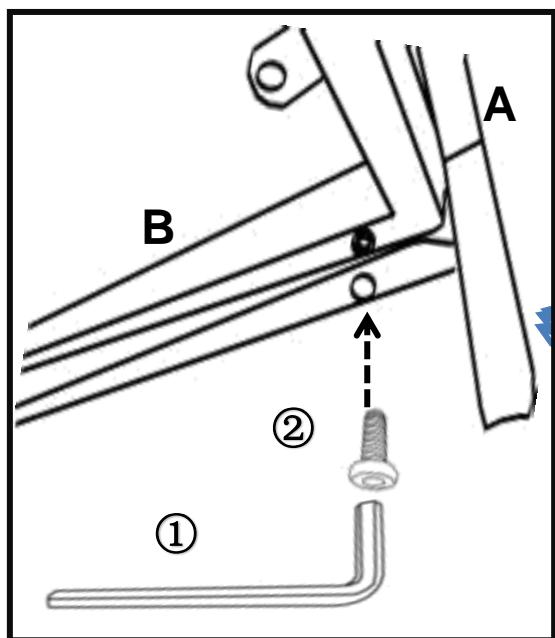
Unpack all parts and place on a clean, non-marring surface.

Unfold Iron Frame(A) in both up and down directions.

Then put it facedown on the floor.

Note: The Iron Frame folds, always have a second adult to assist you whenever lifting or moving it; at the same time, please don't put your hands or fingers in the pinch points.

Step 2

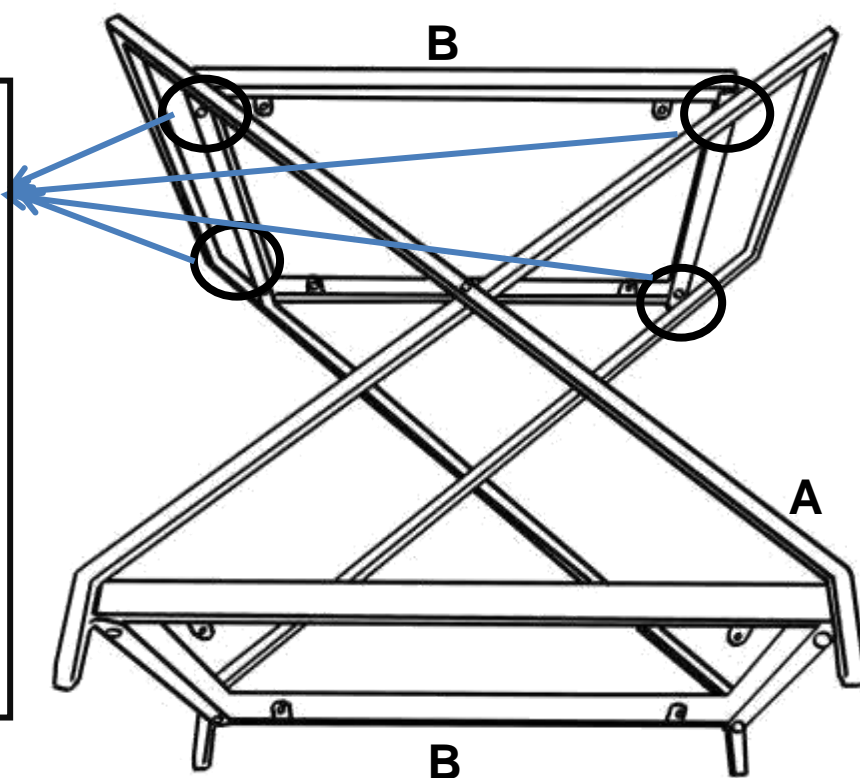
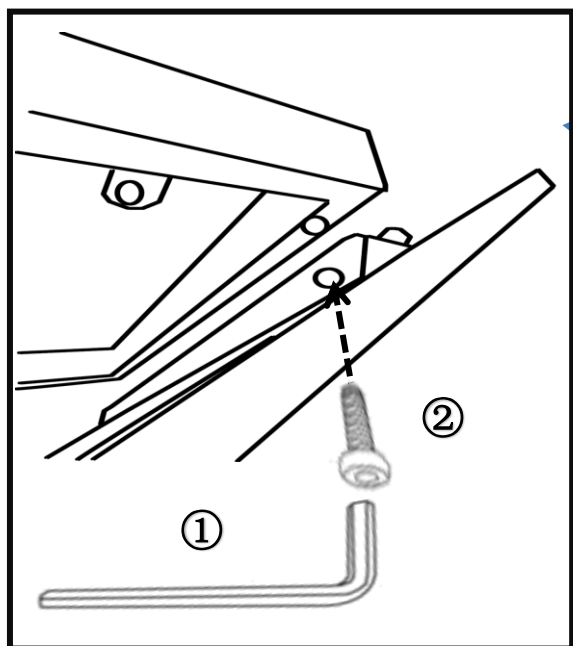


Attach Shelf Frame(B) to Iron Frame(A) using Bolts(2) with Allen Key(1).

Note: This step requires a second adult. One person to do the assembly, the other to hold the Frame.

Do not fully tighten the Bolts.

Step 3

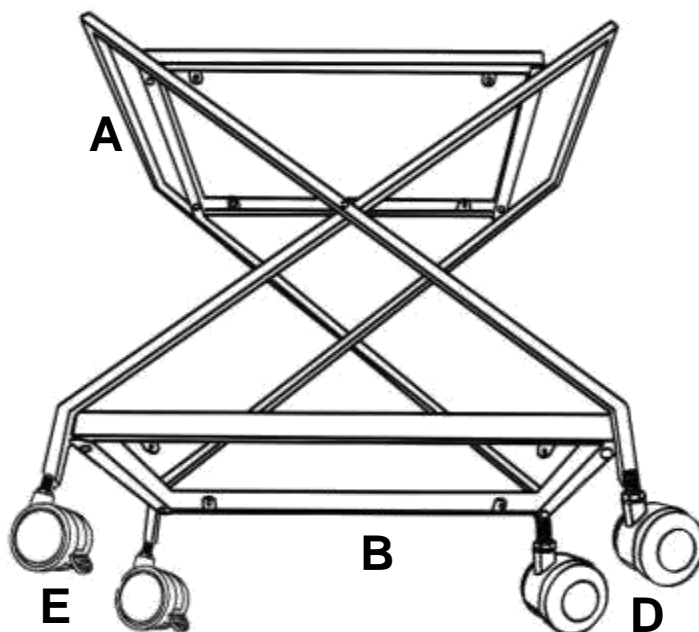
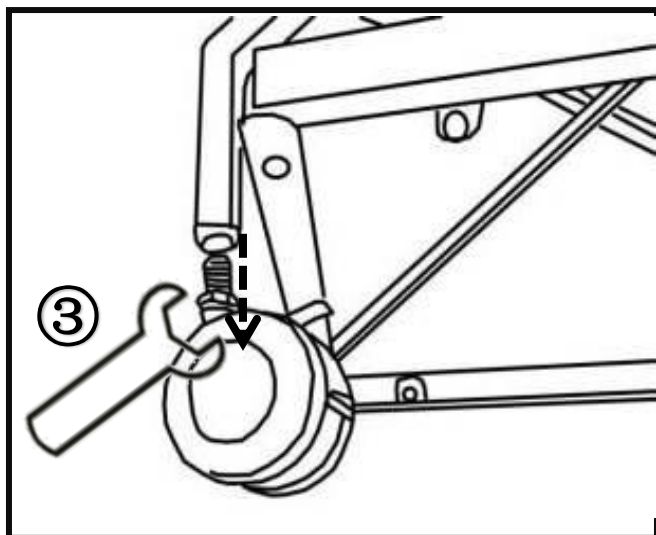


Attach Shelf Frame(B) to Iron Frame(A) using Bolts(2) with Allen Key(1).

Note: This step requires a second adult. One person to do the assembly, the other to hold the Frame.

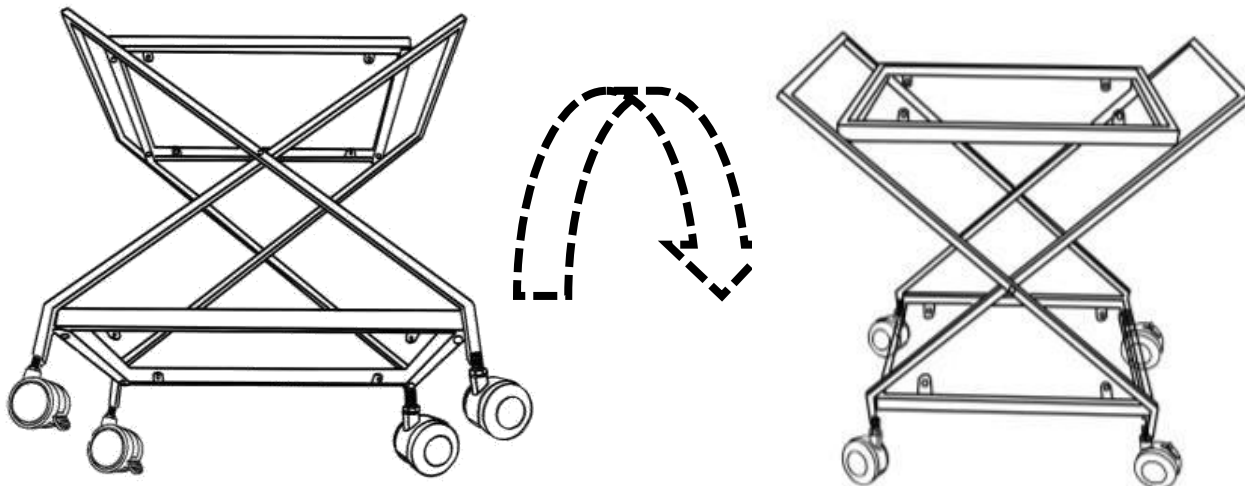
Do not fully tighten the Bolts.

Step 4



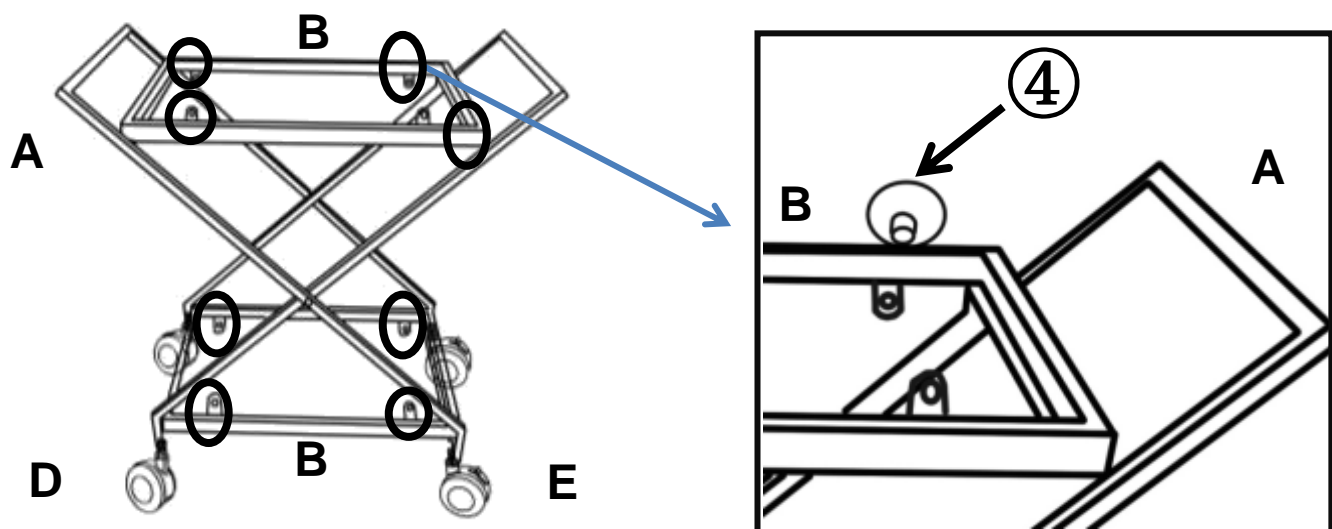
Attach Wheels(D) and Wheels with Brakes(E) to Iron Frame(A) using Spanner(③).
Fully tighten all Bolts at all joints in a sequential manner.

Step 5



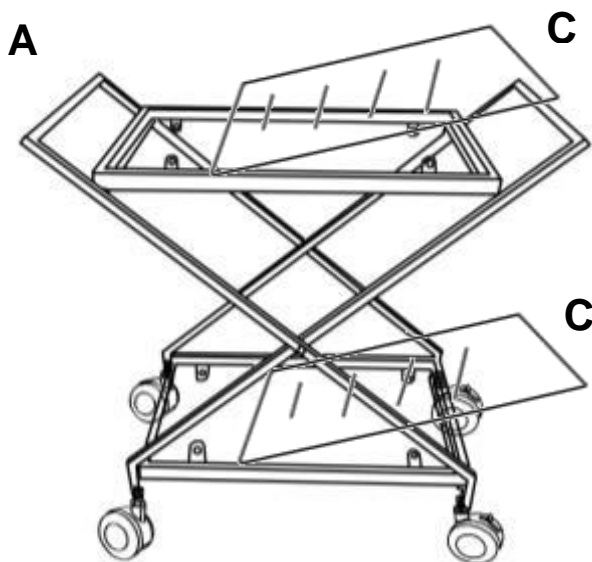
Stand the Bar Cart up, as shown.

Step 6



Attach Glass Suction Cups(④) to Shelf Frames(B), as shown.

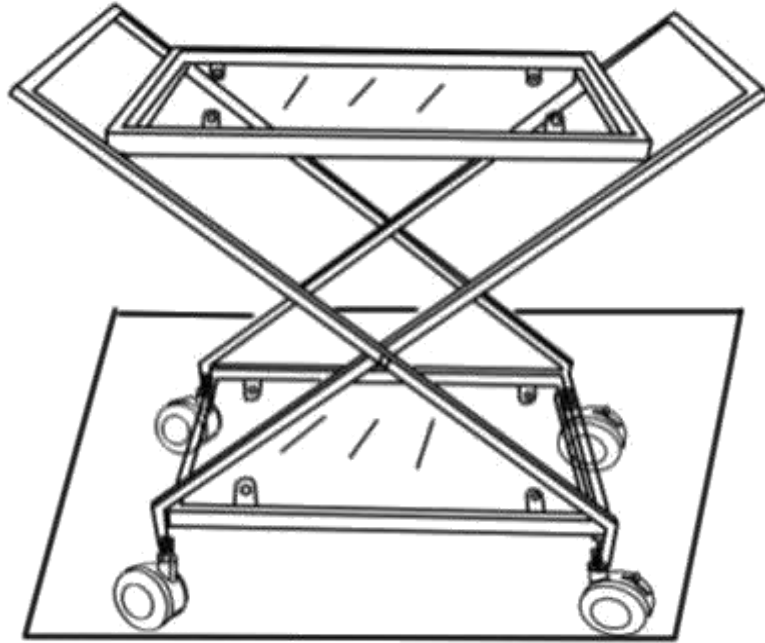
Step 7



Carefully, insert Glass Shelves(C) into Shelf Frames(B).

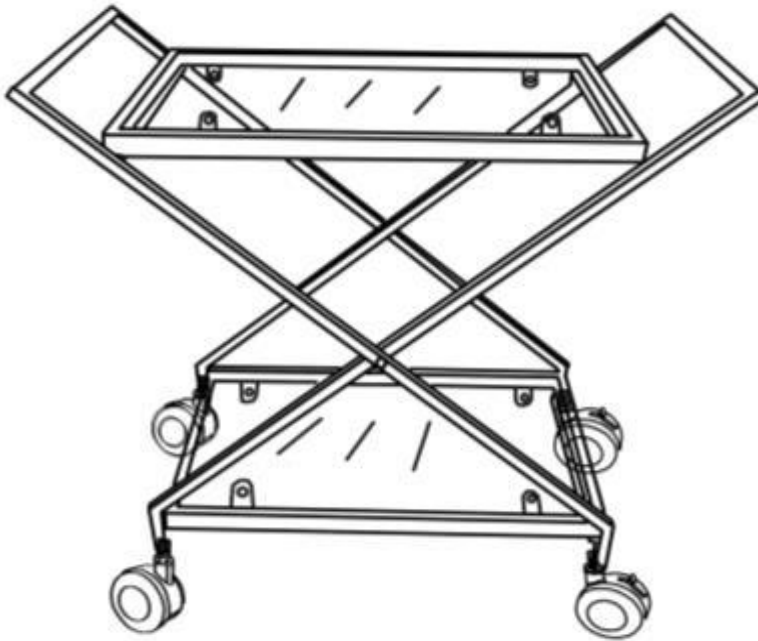
Gently press down on the Glass Shelves after you put them into the frame.

Step 8



Upon checking there is wobble,loosely tighten all nuts and adjust the frame until the Bar cart is level to the ground.Then ,tighten all Nuts, in a sequential manner.










Step 9



Your Bar Cart is ready for use.

This Bar Cart can only be used on a flat, level surface.

Care & Maintenance

- ⊘  • Do not put hot items directly on furniture surface.
 - ⊘  • Do not clean furniture with harsh cleansers or polish.
 - ✓  • To obtain the longest lifespan of your outdoor products, minimizing exposure to direct sunlight is recommended.
 - ⊘  • Children should not climb or jump on the furniture.
 - ⊘  • Do not write on furniture without a padded barrier to protect the surface.
 - ✓  • To obtain the longest lifespan of your outdoor products, avoid extended and lengthy exposure to rain, snow, and direct sunshine. Whenever possible cover the product and /or place under patio or awnings.
 - ⊘  • Not for commercial use. For residential use only .
 - ⊘  • Stains may be removed with mild soap solution and damp cloth.
-
- ✓  • Dust and pick-up spills using a clean, non-colored, lint-free cloth .