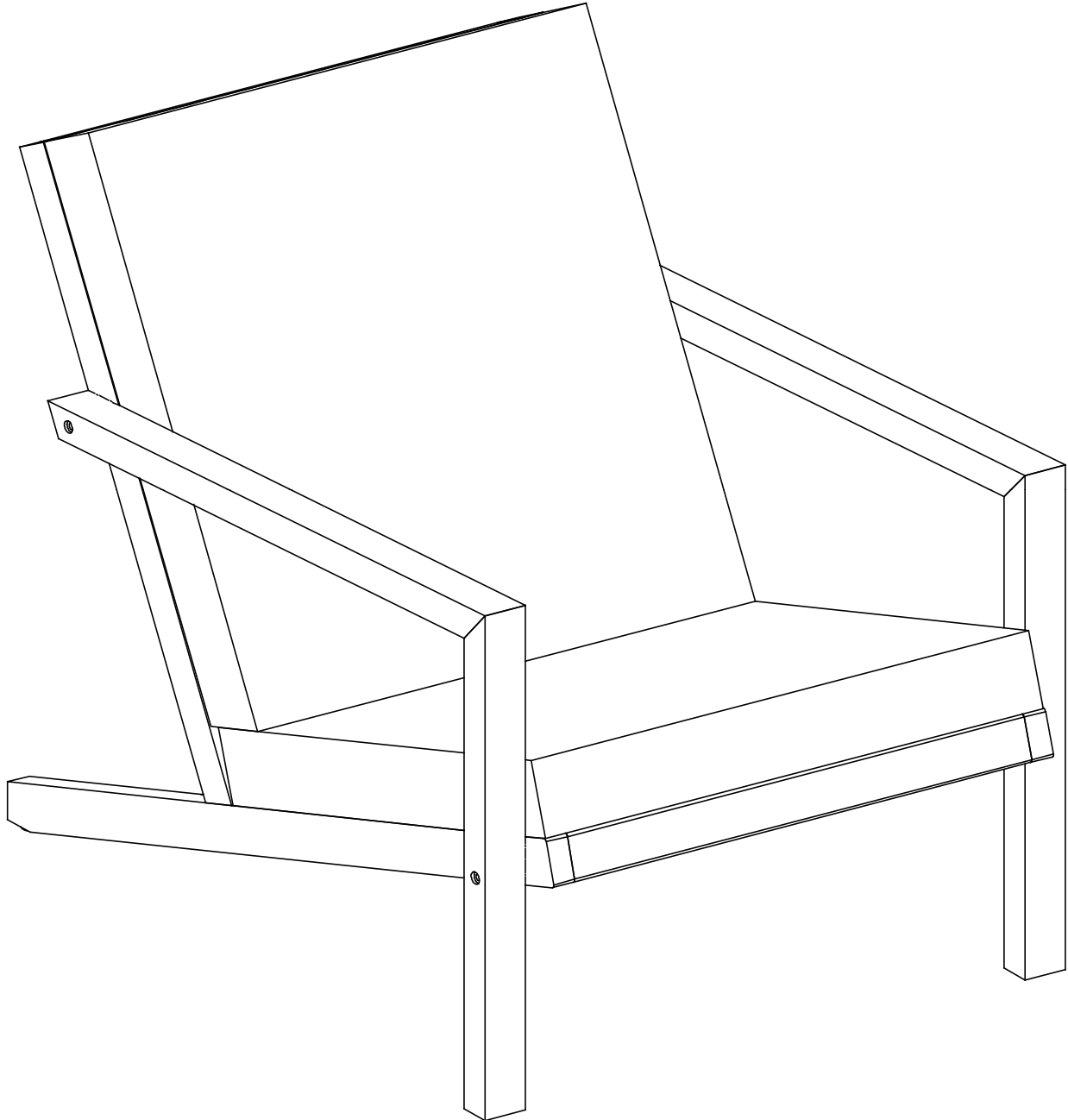


# Assembly Instructions

**CAUTION: You must read this before you proceed.**

Please look in the Table Top for hardware packs.

## **Arm Chair**



**CAUTION :** This Chair is NOT a TOY.

Keep your child / children at bay in the process of assembly.

For turning the Counter Chair and to prevent damage to the Chair, 02 persons may be needed to execute this action.



# Assembly Preparation

## Before Beginning Assembly:



Read instructions, cover to cover.



Have 2 adults on hand for assembly.



Do not assemble on flooring or carpet.



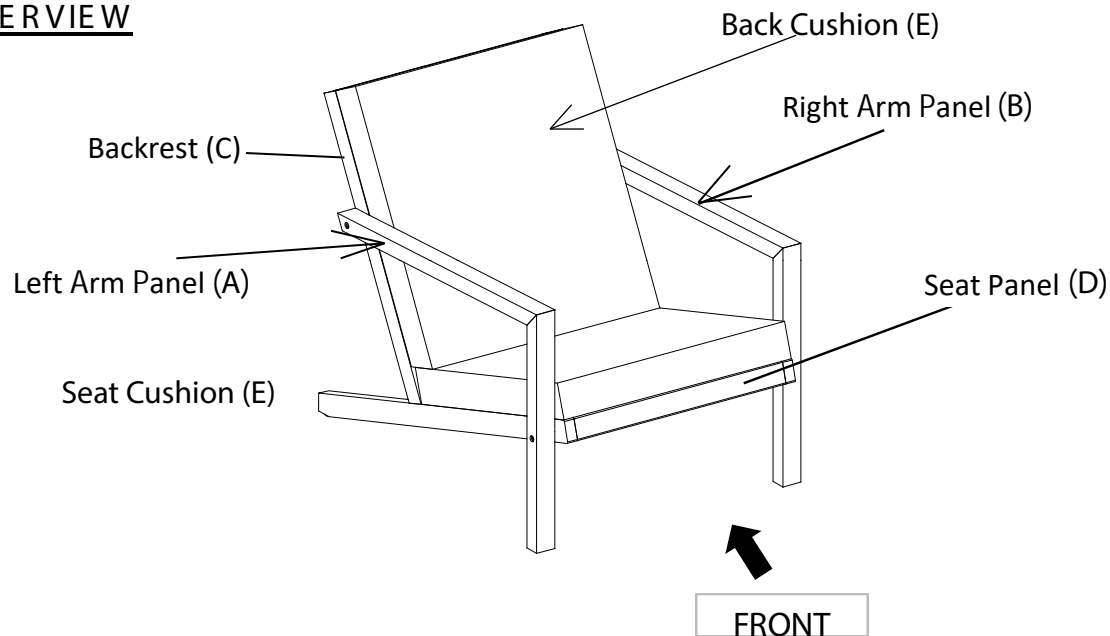
Assemble on a clean non-marring surface (packing foam).



Save all packaging until finished.

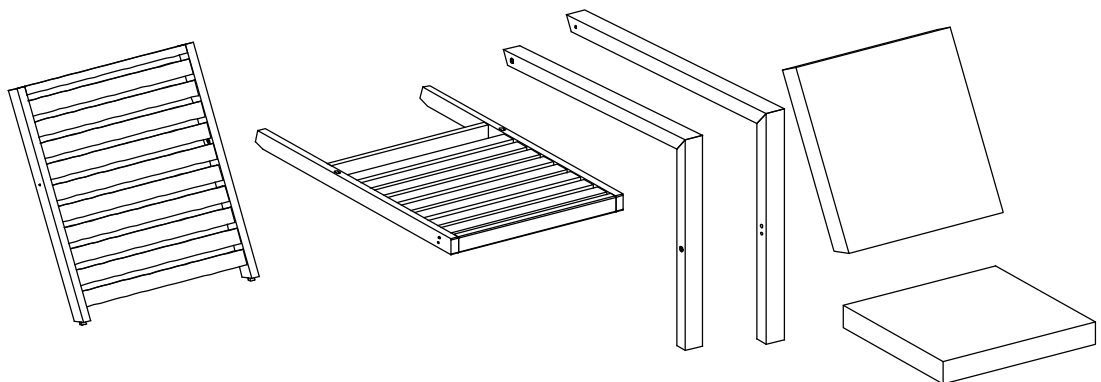
## Assembly Steps

### OVERVIEW



This Counter Chair has multiple parts and may require up to 30 minutes to assemble. To give you an overview of the Counter Chair parts, the above picture is to help you put the various parts into perspective. Please read through the instructions herebelow to familiarise the parts and steps before assembly.

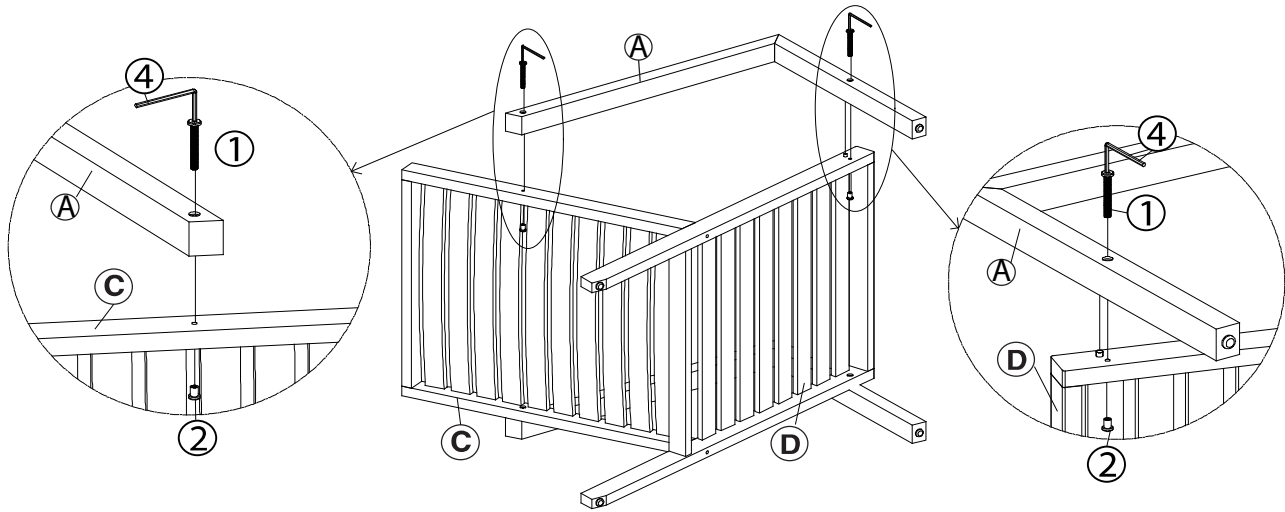
### Step 1



Unpack and place all parts on a clean, non-marring surface.



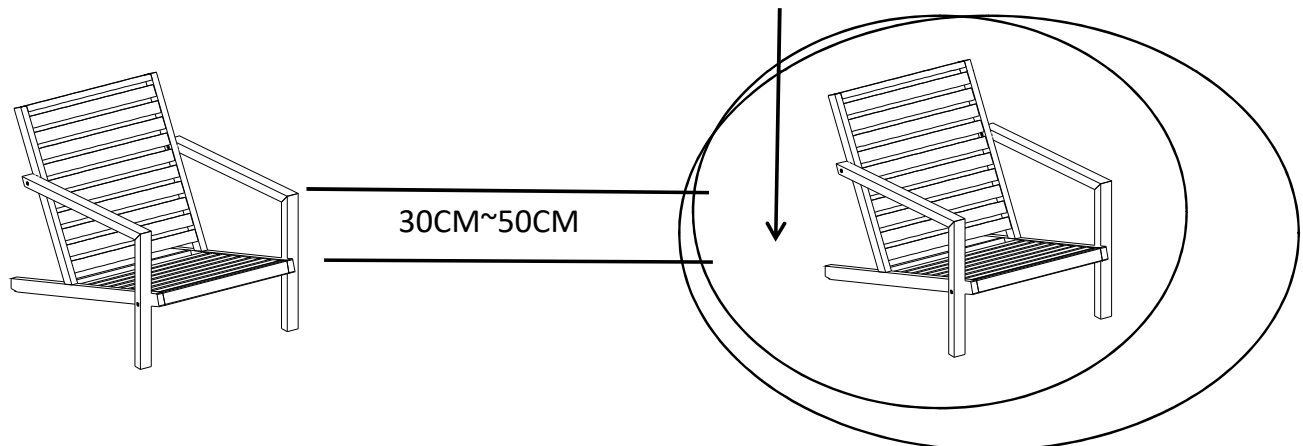
## Step 4



Turn the chair to reverse side.

Repeat Step 3 to attach Left Armrest (A) with the assembled frame in step 3 as shown in picture.  
Do not fully tighten the Bolts.

## Step 5



Turn the Chair right side up

Place the Chair on a LEVEL SURFACE to see if it wobbles.

If it wobbles, lift the Chair to some 30cm to 50cm height from the ground.

Keep your feet and toes well away from the drop zone.

Drop the Chair freely and vertically with the four legs, hitting the ground, at the same time.

This Drop Test will help to ensure that all the screws and gaps to all reach full alignment status.

Test again for evenness on a LEVEL SURFACE.

If no wobbles found, proceed to tighten all the bolts/screws.

**CAUTION:** When tightening these bolts/screws, tighten sequentially.

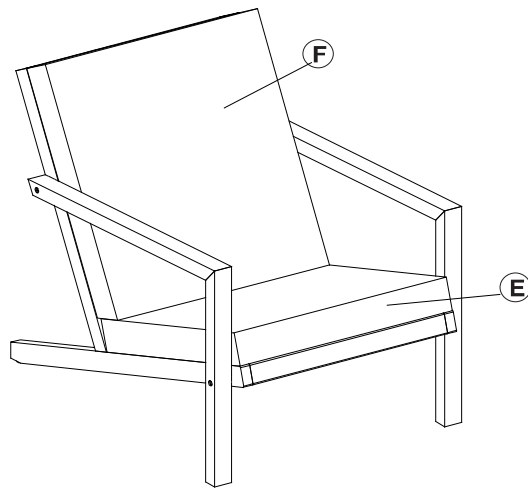
**DO NOT** tighten any bolts/screws fully and then towards the next one.

This would cause the frame to warp.

If there is still wobbles, loosen the bolts/screws and execute this same drop tests.

**WARNING!** IF THE CHAIR IS NOT STABLE , IT COULD LEAD TO DAMAGE THE PRODUCT.

## **Step 6**





















Inspect the Chair and make sure all parts are connected.

Place Back cushion (F) and Seat cushion (E) onto the chair as shown picture.

Your Chair is ready for use.

**Caution: This Chair can only be used on a flat, level surface.**

## Care & Maintenance

-   ● Do not put hot items directly on furniture surface
  -   ● Do not clean furniture with harsh cleansers or polish.
  -   ● To obtain the longest life span of your outdoor products, minimizing exposure to direct sunlight is recommended.
  -   ● Children should not climb or jump on the furniture.
  -   ● Do not write on furniture without a padded barrier to protect the surface.
  -   ● To obtain the longest lifespan of your outdoor products, avoid extended and lengthy exposure to rain, snow, and direct sunshine. Whenever possible cover the product and /or place under patio or awnings.
  -   ● Not for commercial use. For residential use only .
  -   ● Stains may be removed with mild soap solution and damp cloth.
- 
-   ● Dust and pick-up spills using a clean, non-colored, lint-free cloth .