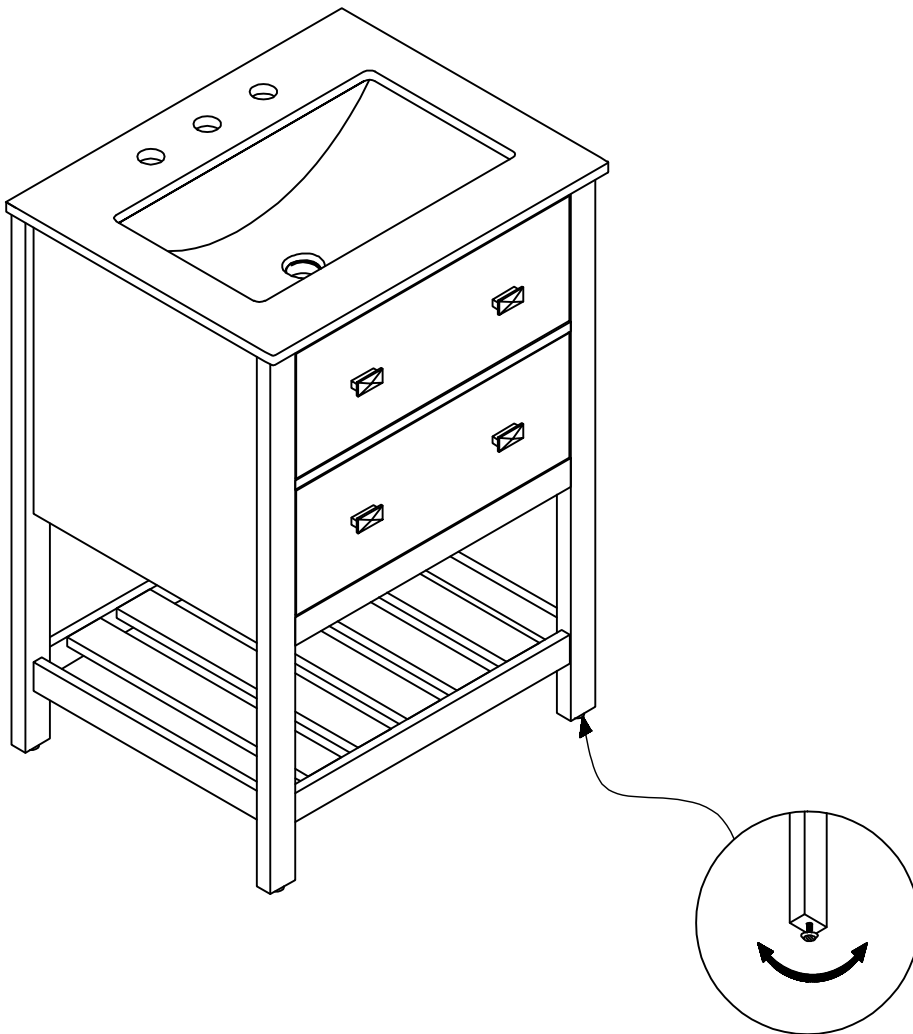


# Leveling Your Vanity

---

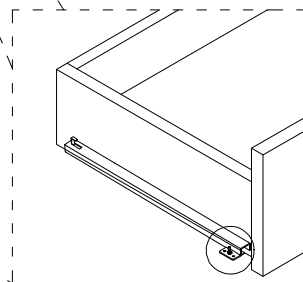
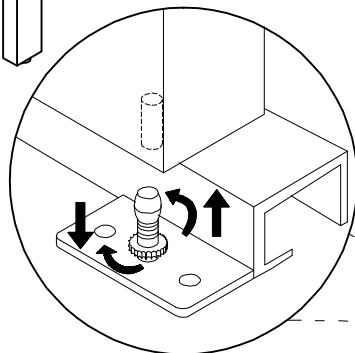
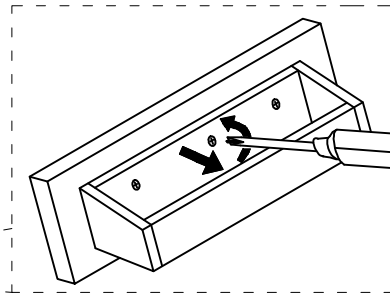
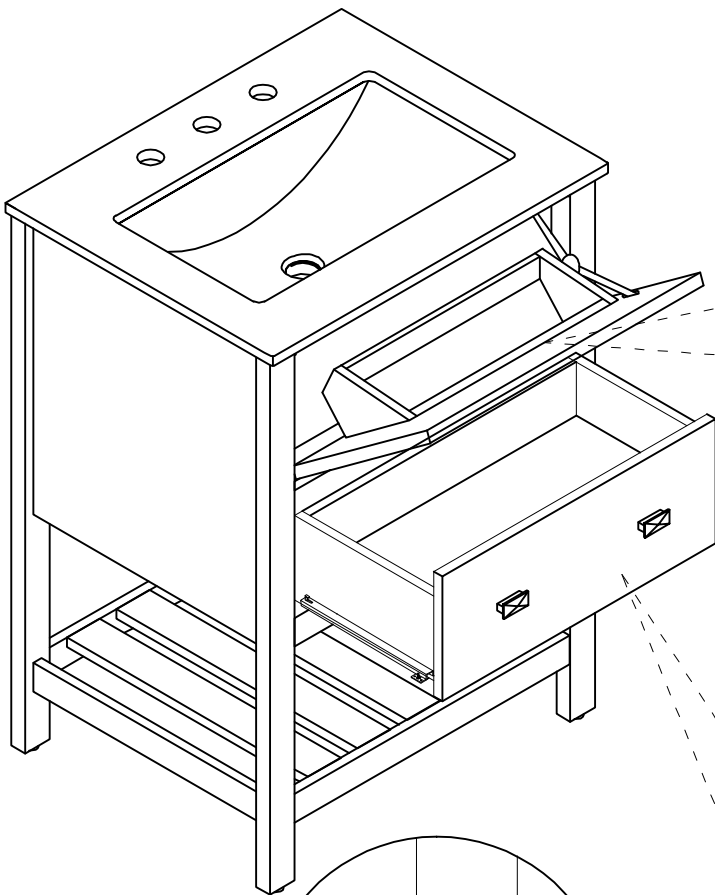
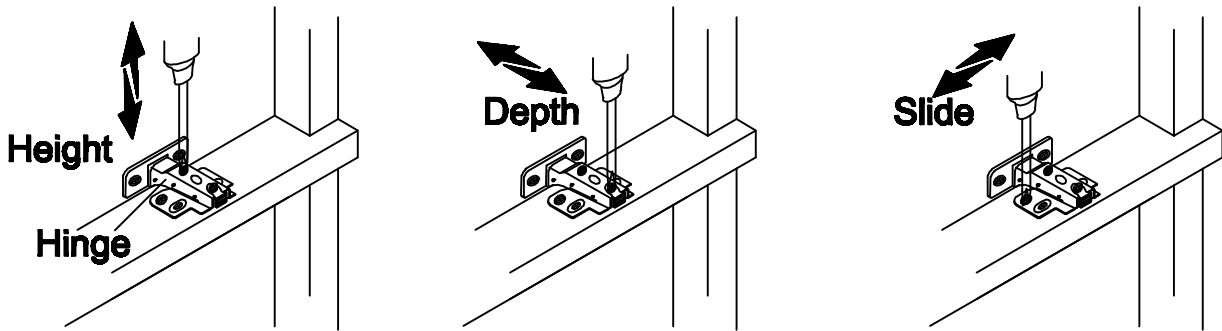
Use the Adjustable Leveler to level your Vanity



Use the Adjustable Leveler to level your Vanity

# Adjusting the drawers

Make sure the door is in the correct position, make adjustments, if necessary.

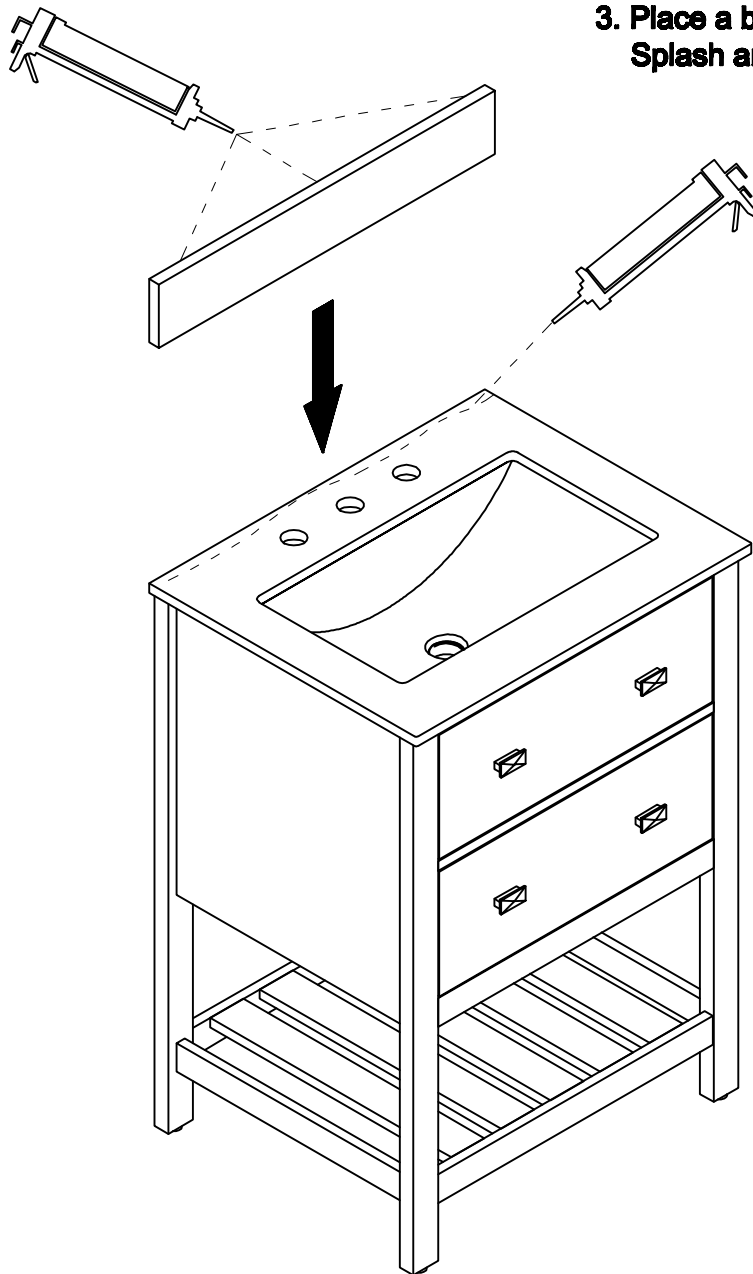


Adjust the drawers up and down

# Secure the Vanity Top and Back Splash to the Vanity

---

1. Center the Back Splash on the Basin.
2. Let the weight of the Back Splash rest on the Vanity Top to adhere to the Caulk
3. Place a bead of caulk along the top of the Back Splash and Wall



**Let the Caulk set for 24 hours**