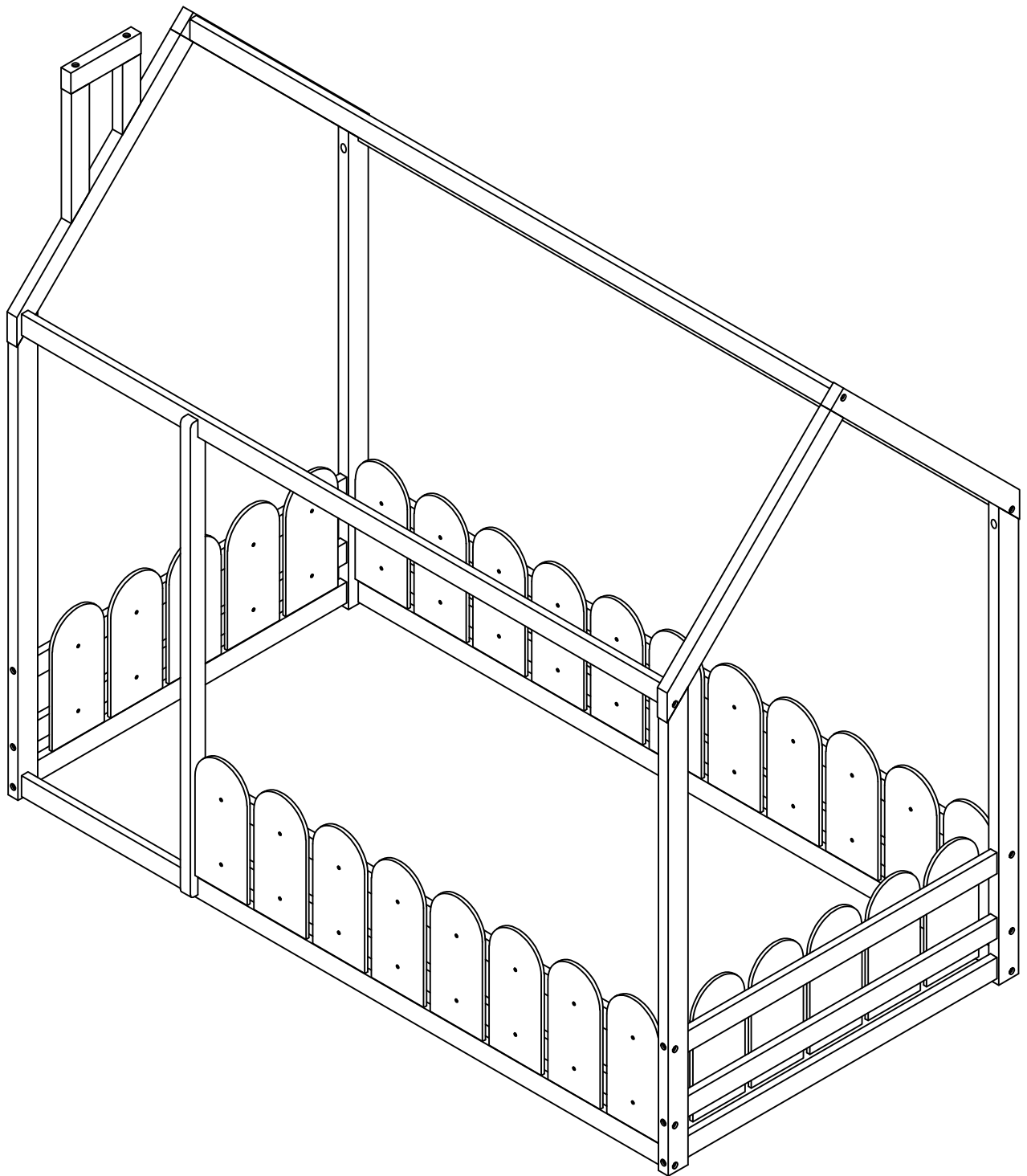


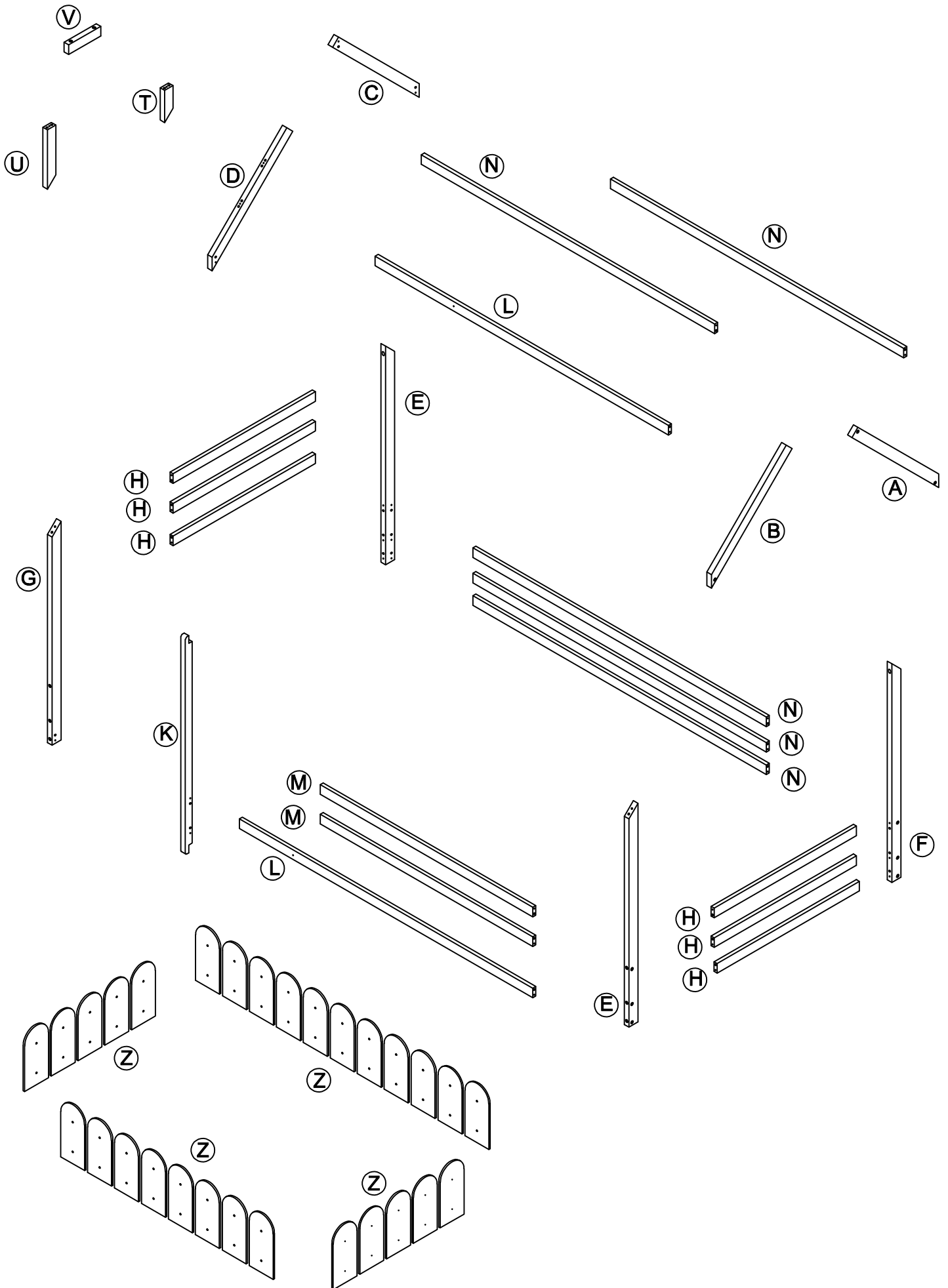
ASSEMBLY INSTRUCTIONS

TWIN SIZE - MONTESORI HOUSE BED WITH FENCE

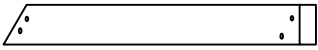
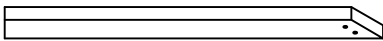
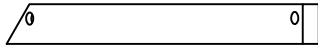
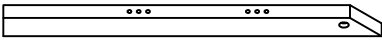
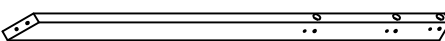
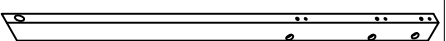
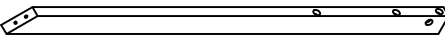
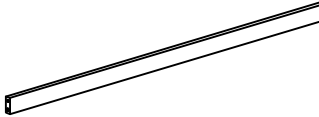
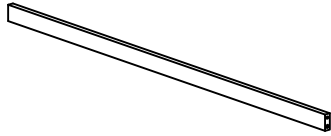
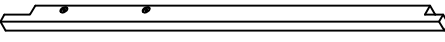
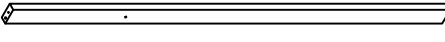

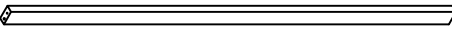
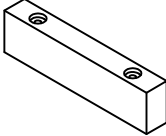
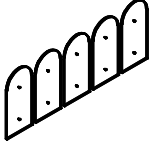
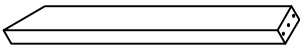



WF294208




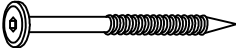



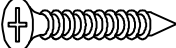
Detail View



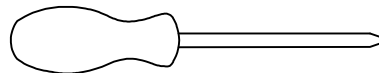
ASSEMBLY INSTRUCTIONS

A 	B 	C 
Cap for upper HB-1pc	Cap for lower HB-1pc	Cap for upper FB-1pc
D 	E 	F 
Cap for lower FB-1pc	Upper leg HB (L/R)-2pcs	Upper leg FB -1pc
G 	H 	M 
Upper leg FB -1pc	Horizontal bar HB&FB-6pcs	Front side panels - 2pcs
K 	L 	T 
Center upper leg -1pc	Front guard rails 2pc	Guard rail top 1pc
N 	V 	Z 
Back guard rails -5pcs	Guard rail top 1pc	Panel - 29pcs
U 	Q 	
Guard rail top 1pc	Distance bar (20mm) - 1pc	

ASSEMBLY INSTRUCTIONS

1  Ø10*30mm Wood dowel (42pcs)	2  Ø6" x 85 mm Wood Screws (4pcs)	3  Ø6" x 70 mm Wood Screws (18pcs)
4  Ø6" x 100 mm Wood Screws (14pcs)	5  Ø6" x 30 mm Wood Screws (2pcs)	6  (1/4")4.5*58mm Allen Key (1pc)
7  Ø6" x 50 mm Wood Screws (4pcs)	8  #4*25mm Screw (58pcs)	



ASSEMBLY TOOLS REQUIRED (N

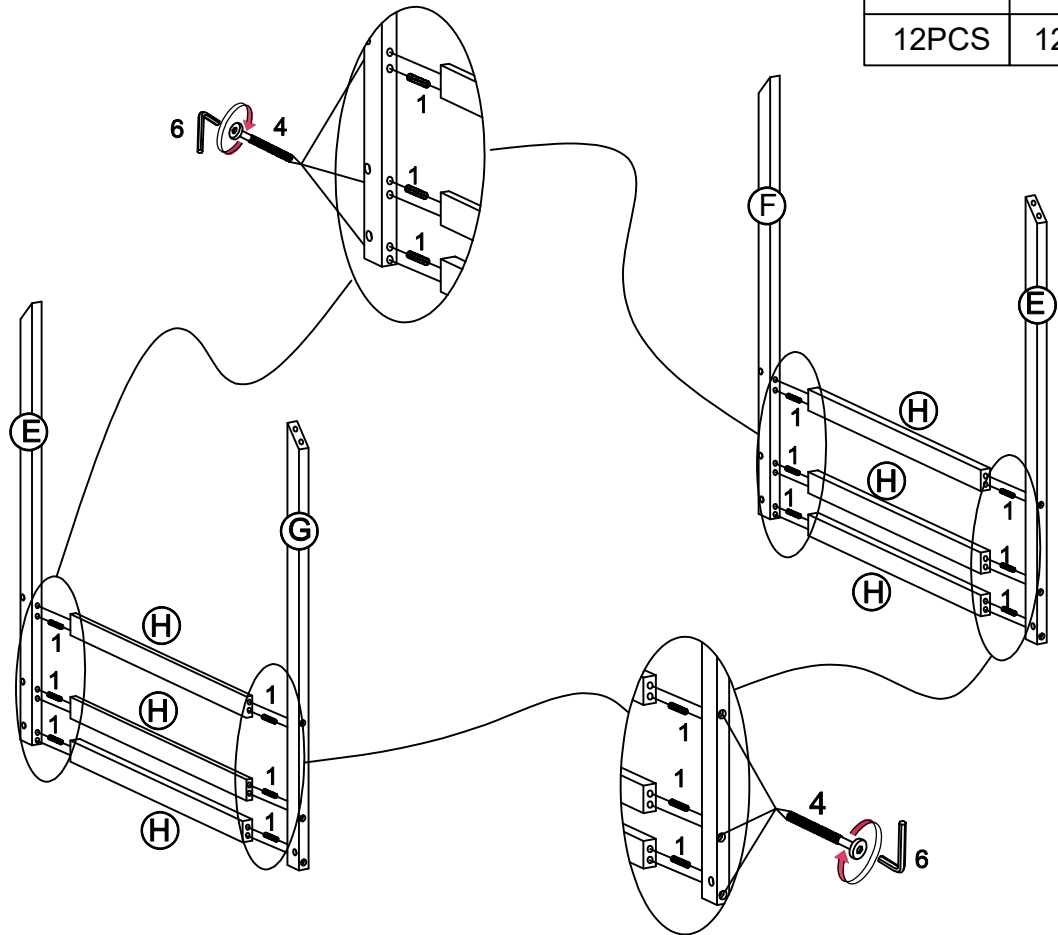


PLEASE BE CAREFUL DO NOT DAMAGE THE HOLE POSITION WHEN YOU USE POWER TOOLS !

STEP 1: Following below illustration Assembly FRAME #1.





Using hardware #1 & #4 connect E and G Front right-left leg with H Left horizontal (lower-upper)
 And using hardware #1 & #4 connect F and E Back right-left leg with H Left horizontal (lower-upper)
 to complete FRAME #1.

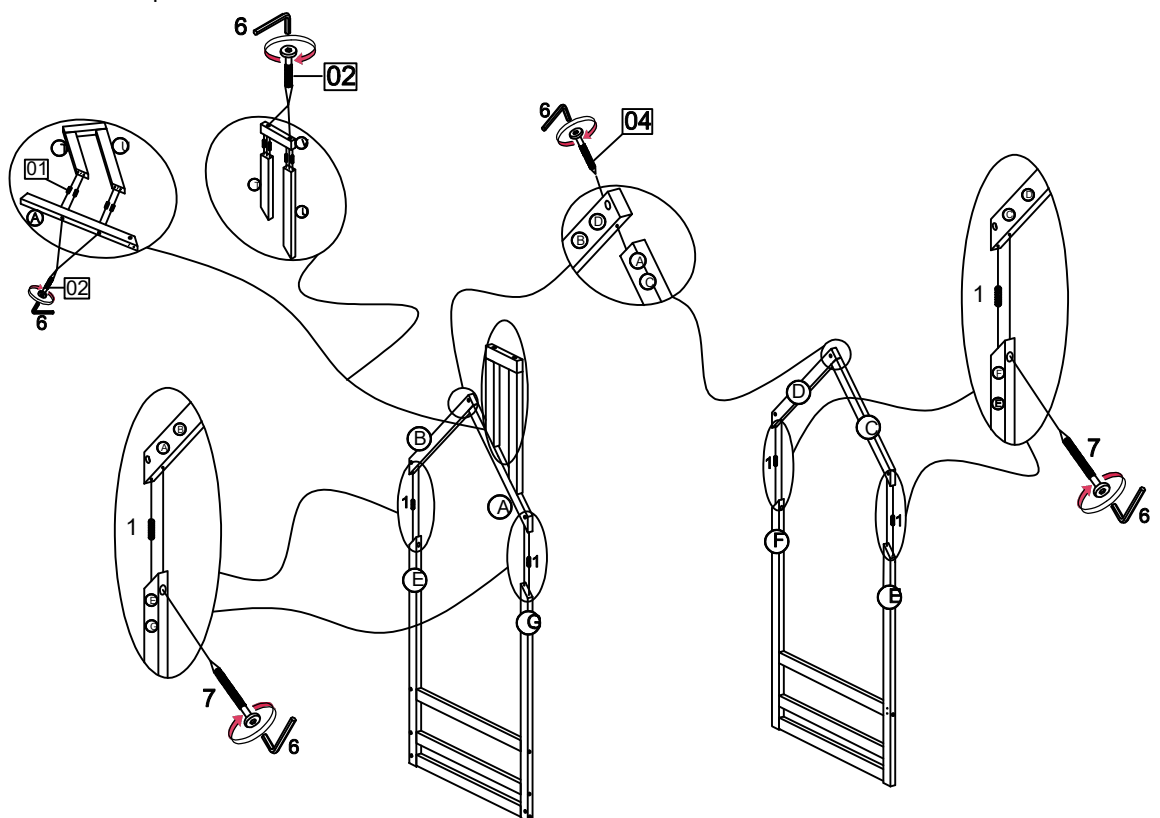
1		4	
12PCS		12PCS	



STEP 2: Following below illustration Assembly FRAME #2.



Using hardware #1 & #7 connect C and D Front right-left leg with F and E Left horizontal (lower-upper)
 And using hardware #1 & #7 connect A and B Back right-left leg with E and G Left horizontal (lower-upper)
 and using hardware #4 connect C and D & A and B . And using hardware #2 connect A and connect T & U & V to complete FRAME #2.

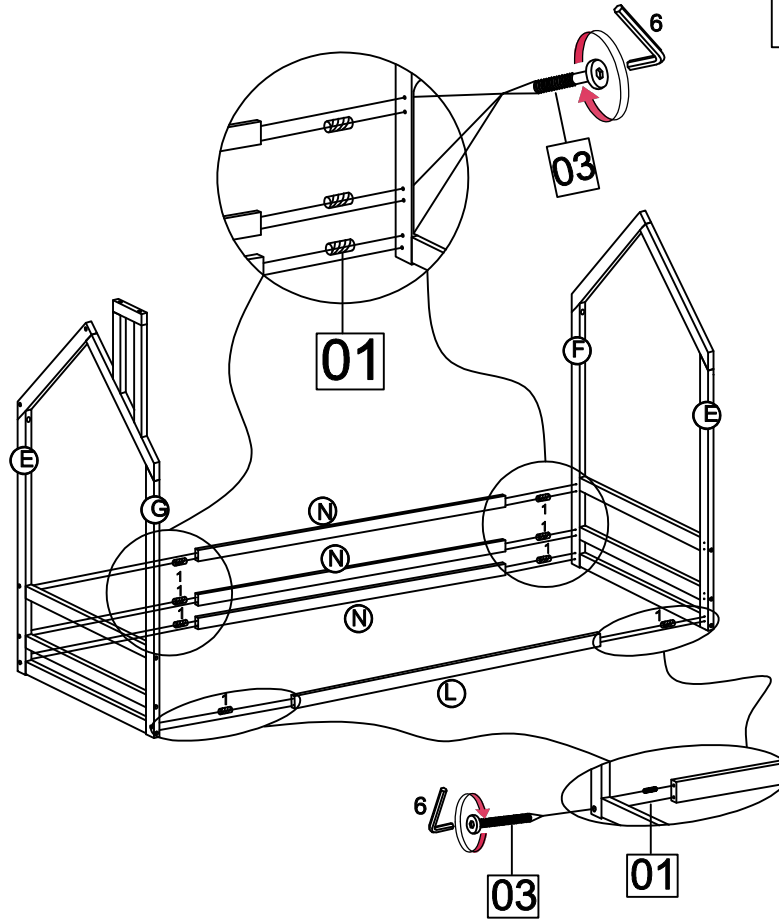
1		2		4		7	
12PCS		4PCS		2PCS		4PCS	



STEP 3: Following below illustration Assembly FRAME #3.



Using hardware #1 & # 3 connect E and G Front right-left leg with N and L Left horizontal (lower-upper)
And using hardware #1 & # 3 connect F and E Back right-left leg with N and L Left horizontal(lower-upper) to complete FRAME #3.

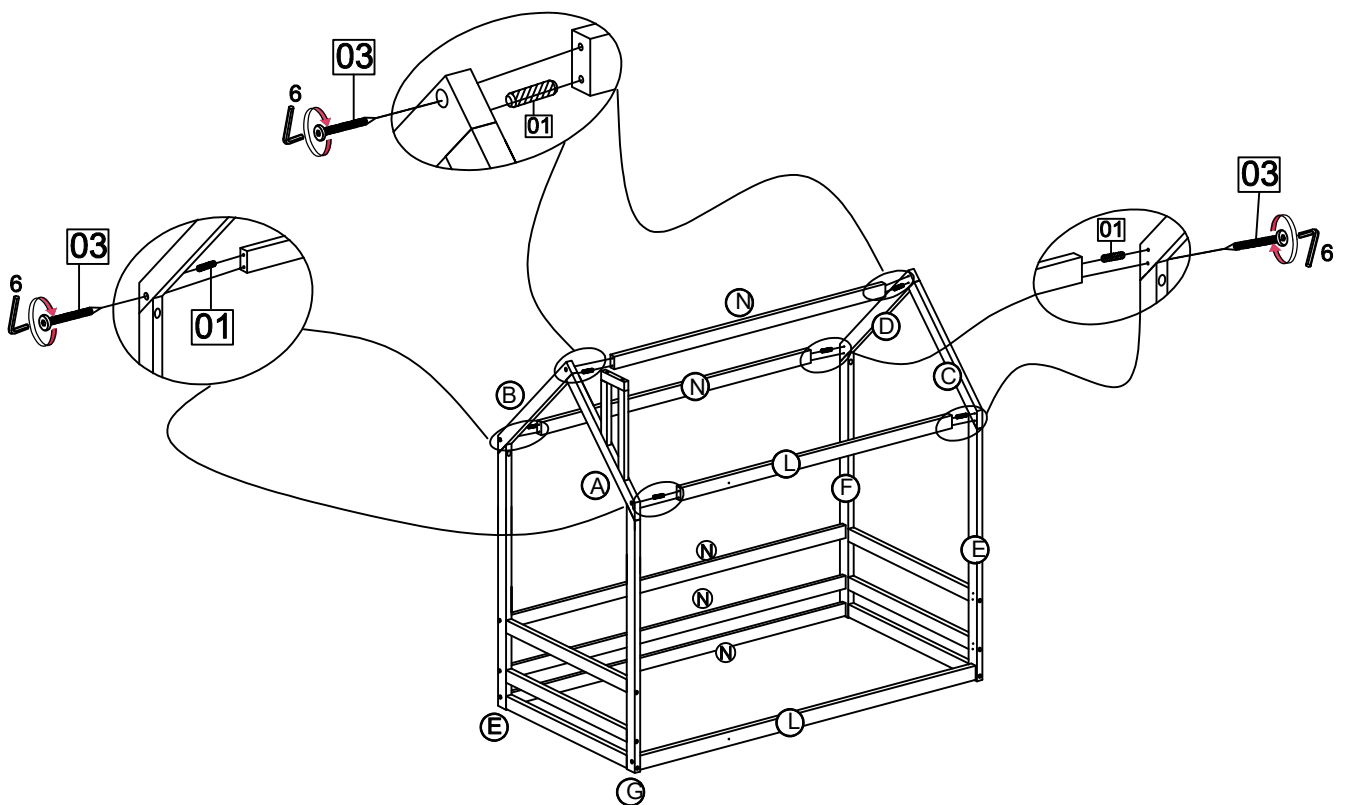
01		03	
8PCS		8PCS	



STEP 4: Following below illustration Assembly FRAME #4.



Using hardware #1 & # 3 connect C and D Front right-left leg with N and L Left horizontal (lower-upper)
And using hardware #1 & # 3 connect A and B Back right-left leg with N and L Left horizontal (lower-upper) to complete FRAME #4.

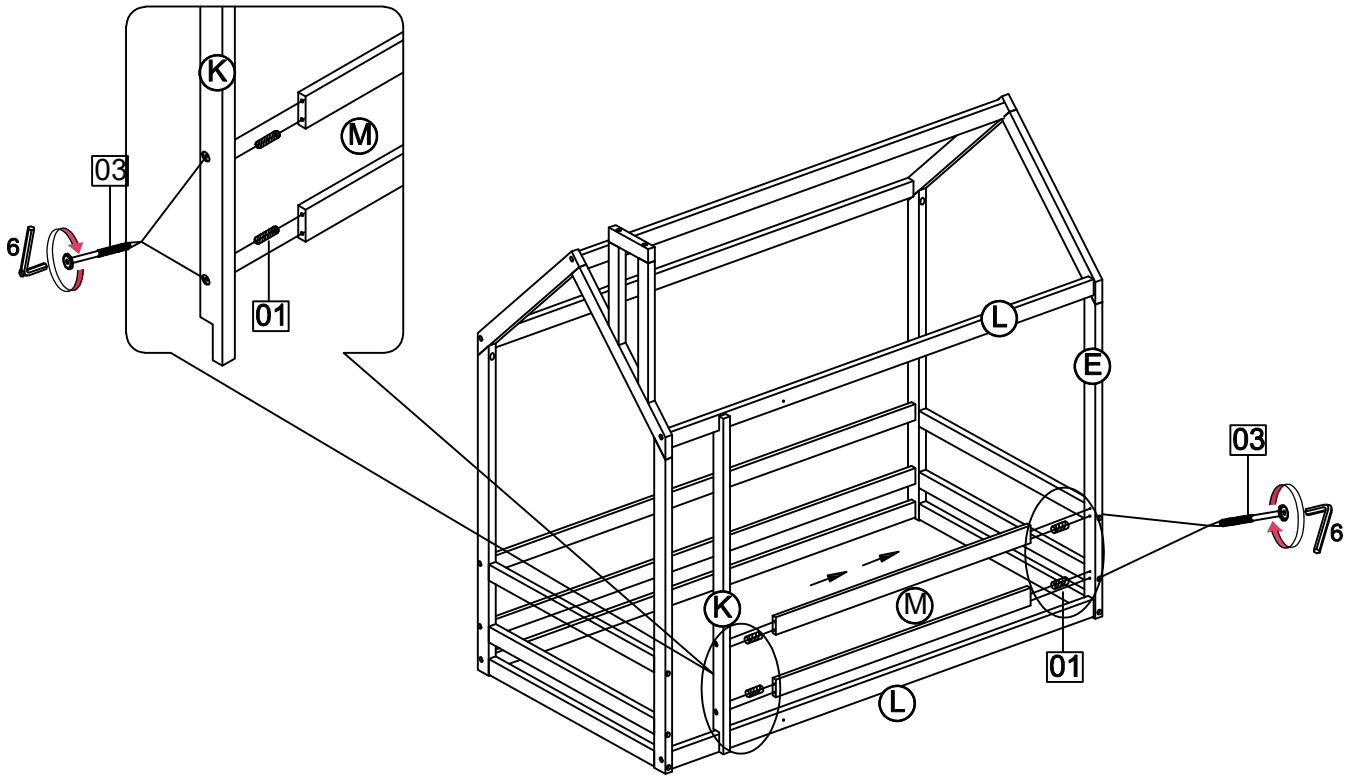
01		03	
6PCS		6PCS	



STEP 5: Following below illustration Assembly FRAME #5.


Using hardware #1 & # 3 connect K and M Front - left leg with E to complete FRAME #5

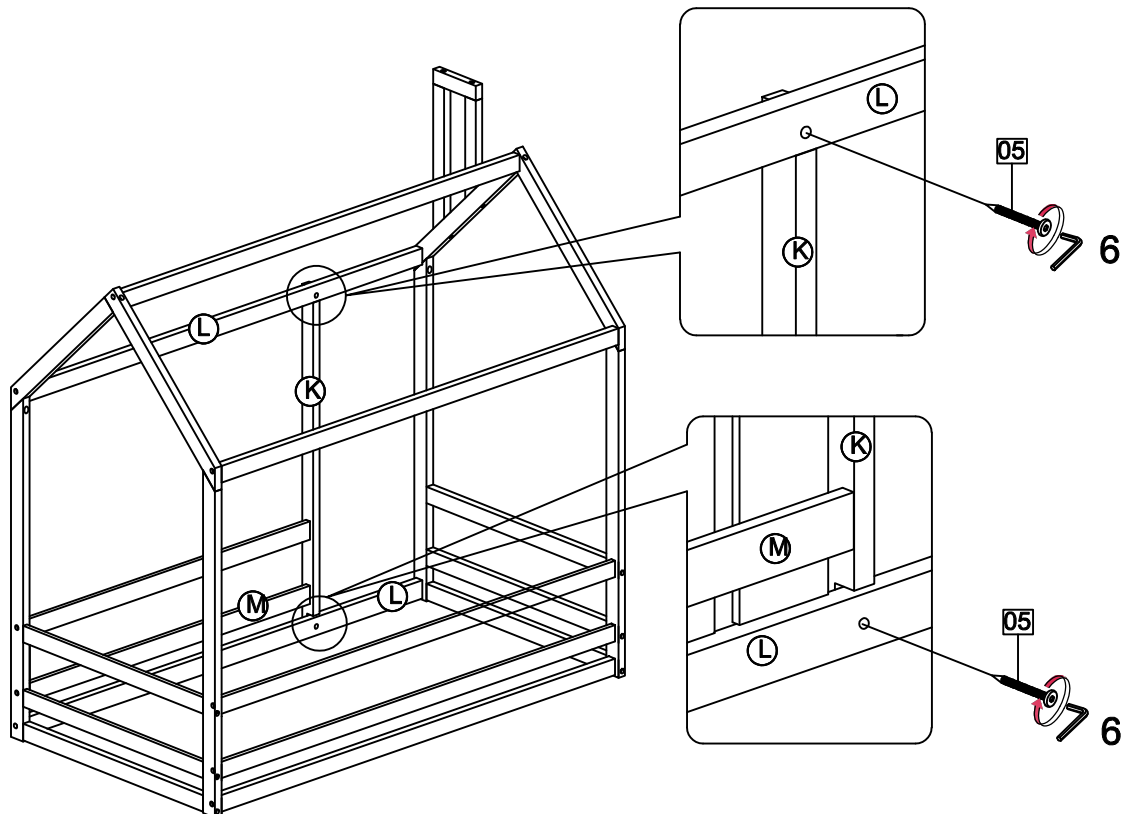
01		03	
4PCS		4PCS	



STEP 6: Following below illustration Assembly FRAME #6.


Using hardware #5 connect K and L to complete FRAME #6

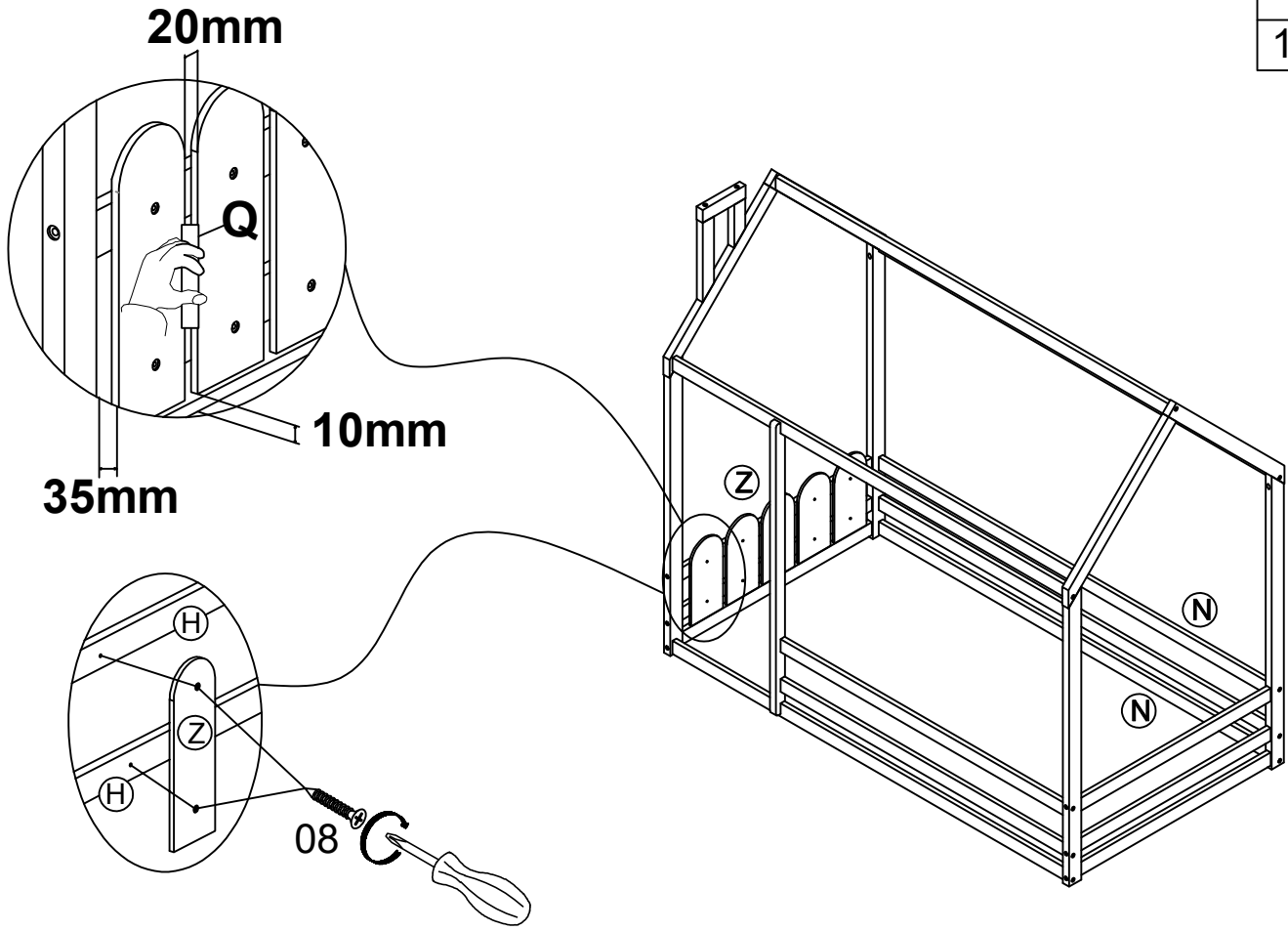
05	
2PCS	



STEP 7: Following below illustration Assembly FRAME #7.


Using hardware #8 connect Z Front - left leg with H to complete FRAME #7

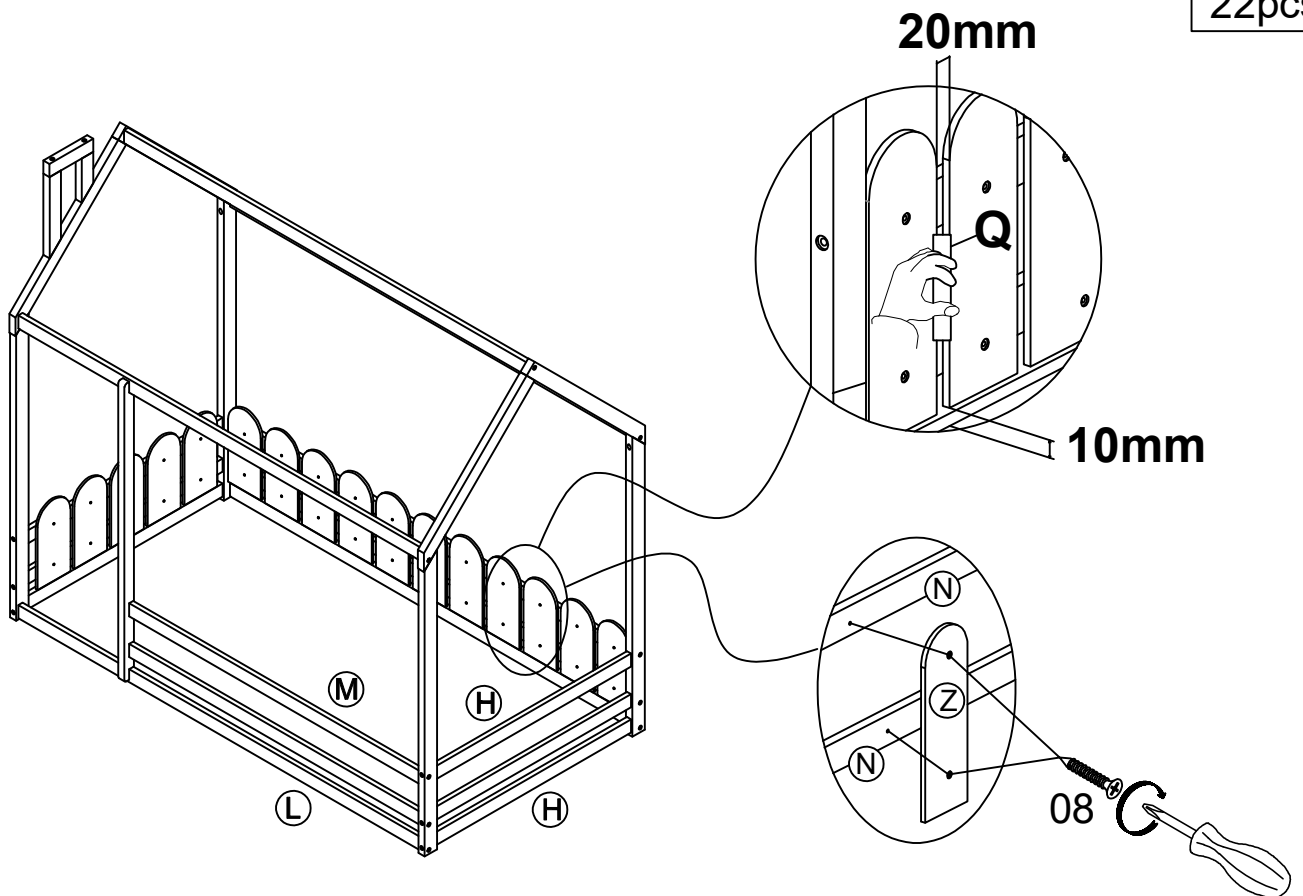
08 
10pcs



STEP 8: Following below illustration Assembly FRAME #8.


Using hardware #8 connect Z Front - left leg with N to complete FRAME #8

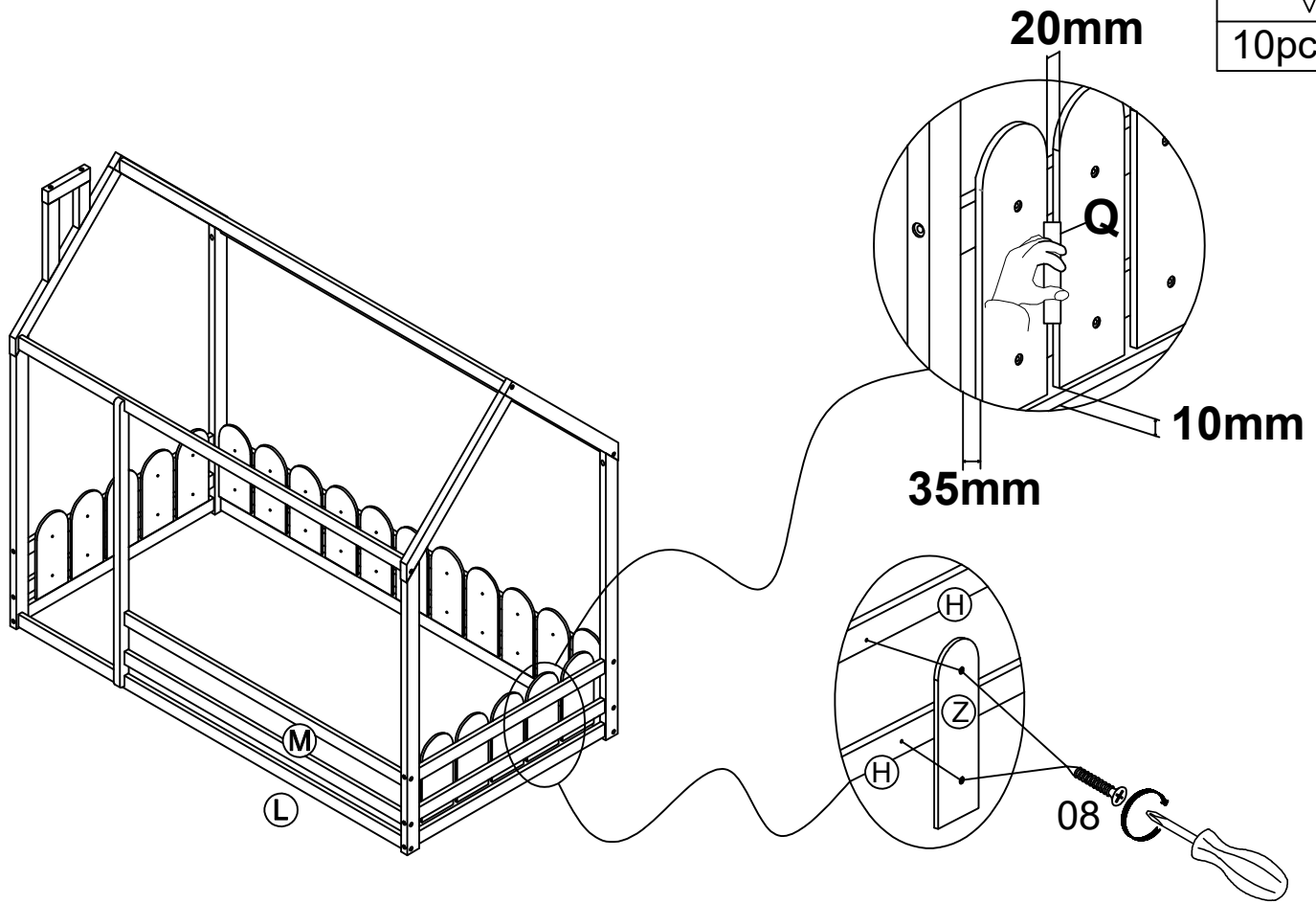
08 
22pcs



STEP 9: Following below illustration Assembly FRAME #9.


Using hardware #8 connect Z Front - left leg with H to complete FRAME #9

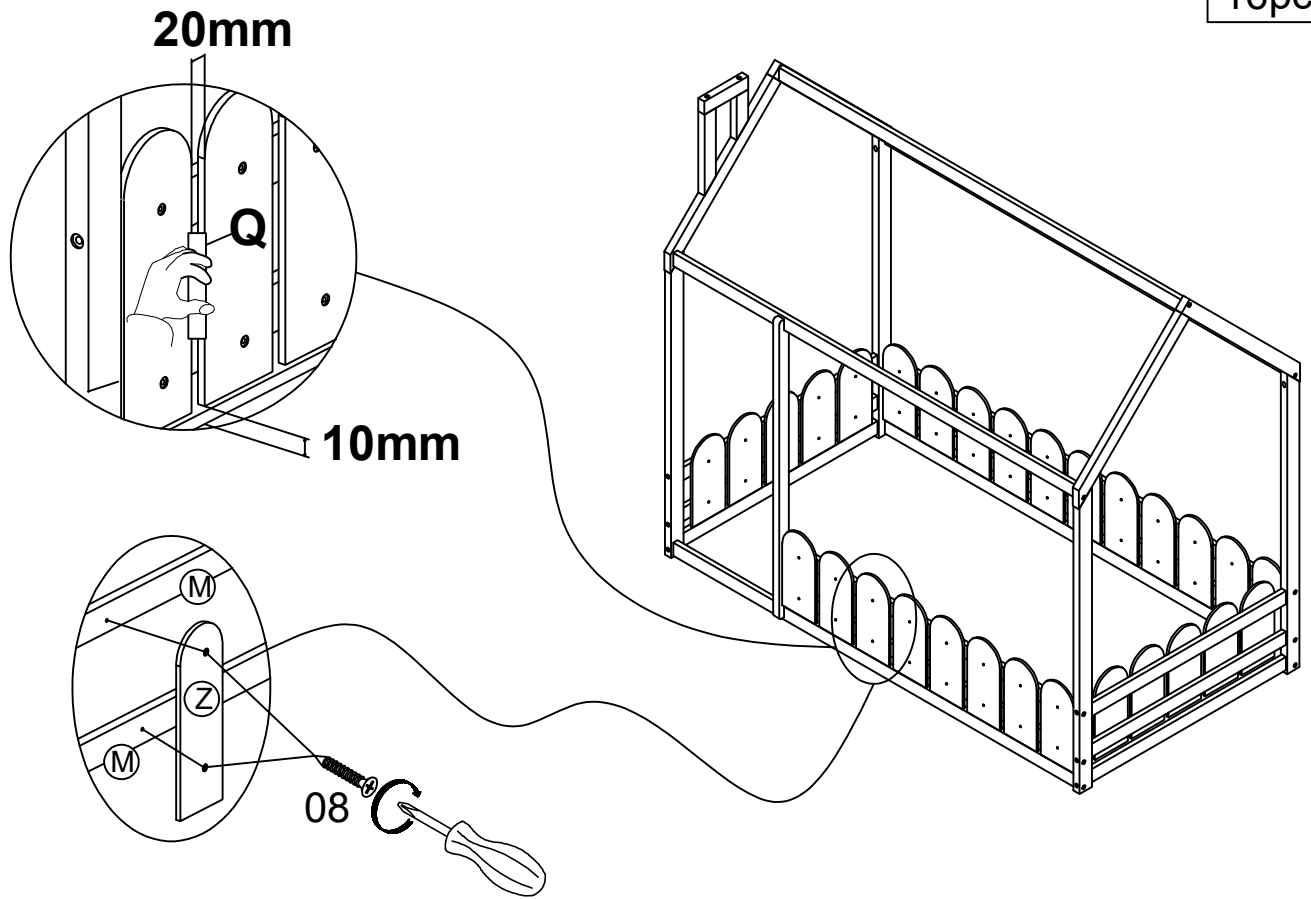
08 
10pcs



STEP 10: Following below illustration Assembly FRAME #10.

Using hardware #8 connect Z Front - left leg with M to complete FRAME #10

08 
16pcs



COMPLETED

