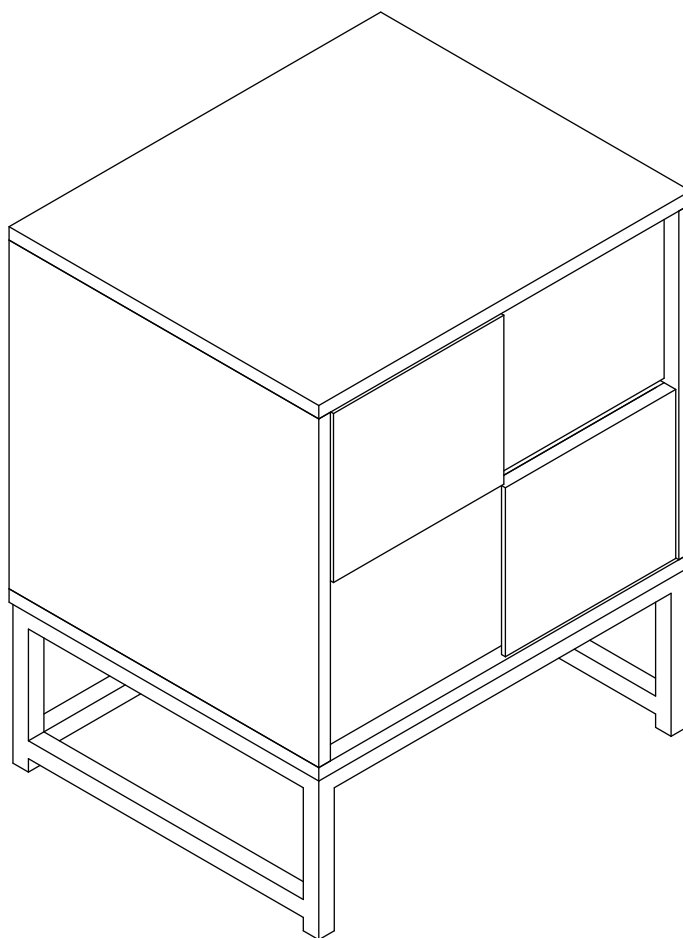


# Installation Instruction



---

**W68849638**

# Assembling

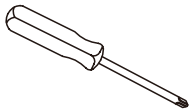
## Estimated time for assembly



**30 : 00**

## What you need

- Use the packaging carton as a working surface to prevent product damage during assembly
- Phillips head screwdriver



## Weight Limitation



**55**

lbs table top

**| 11**

lbs per drawer

# What's included

Code	Description	Qty
A	Cam Bolt M6X35MM	14
B	Cam Lock 15X12MM	6
C	Wooden Dowel M8X30MM	10
D	Cam Lock 15X10MM	8
E	Screw M5X40MM	4
F	Allen Key	1
G	Bolt M6X30MM	8
H	Bolt M6X35MM	6
I	Screw M4X14MM	2
J	Slide Sets	2
K	Screw M3.5X12MM	24
L	Plastic corner support	4
M	Screw M3X14MM	4
N	Wall plugs	2
O	Screw M4X35MM	10
P	Strip	2

# The Hardwares

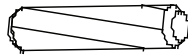
A



B



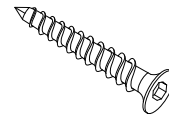
C



D



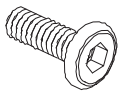
E



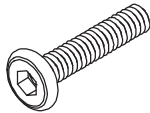
F



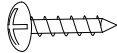
G



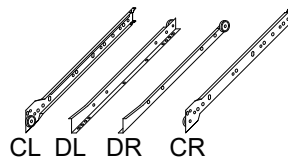
H



I



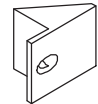
J



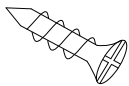
K



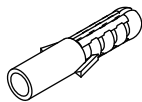
L



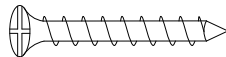
M



N



O



P



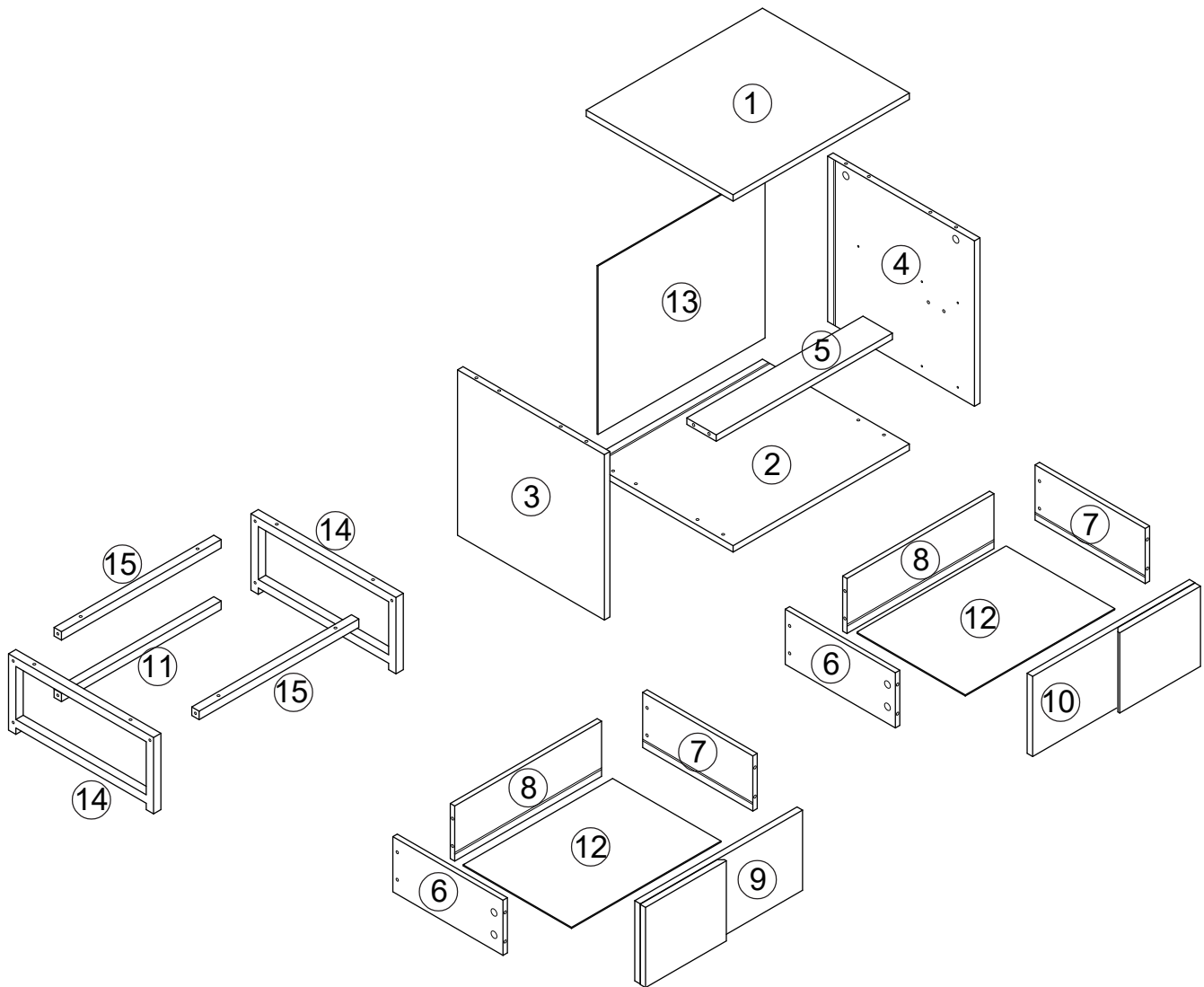
## IMPORTANT:

1. Do not tighten bolts / screws completely until all bolts / screws are lined up and inserted into holes.
2. Do not over tighten screws and bolts to avoid stripping.
3. Please use hand tools to assemble this product. Do not use power tools.

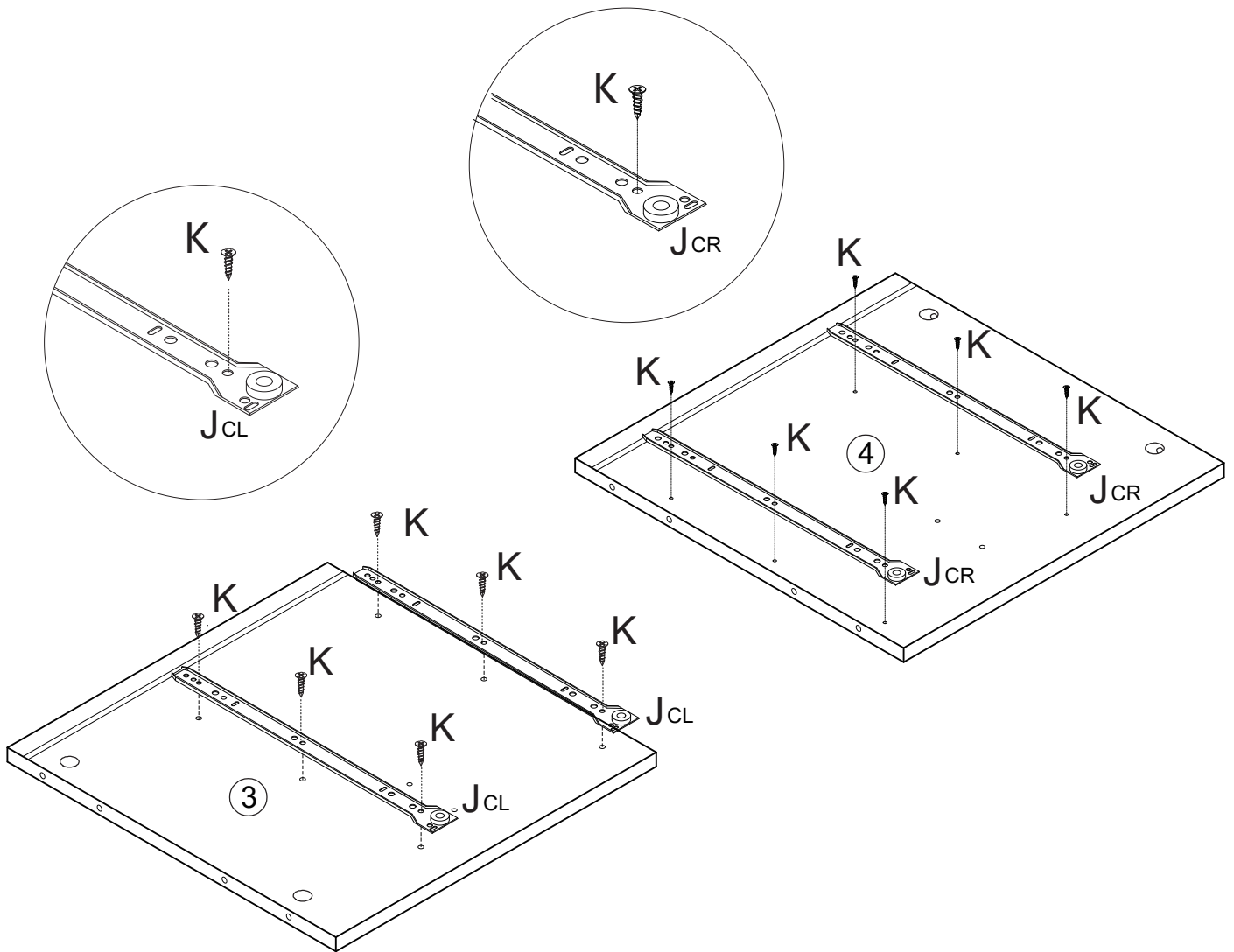
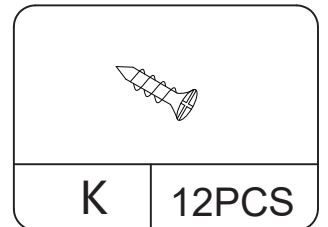
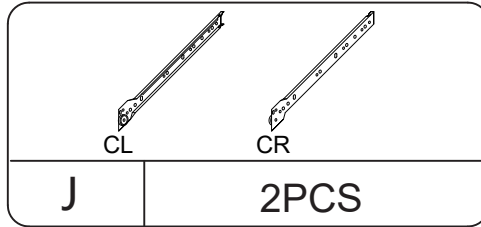
# Included Accessories

Code	Description	Qty
1	Cabinet Top	1
2	Bottom Panel	1
3	Left Side Panel	1
4	Right Side Panel	1
5	Intermediate Stretcher	1
6	Drawer Left Side Panel	2
7	Drawer Right Side Panel	2
8	Drawer Back Panel	2
9	Upper Drawer Front Panel	1
10	Bottom Drawer Front Panel	1
11	Bottom Metal Stretcher	1
12	Drawer Bottom Panel	2
13	Back Panel	1
14	Side frame	2
15	Upper Metal Stretcher	2

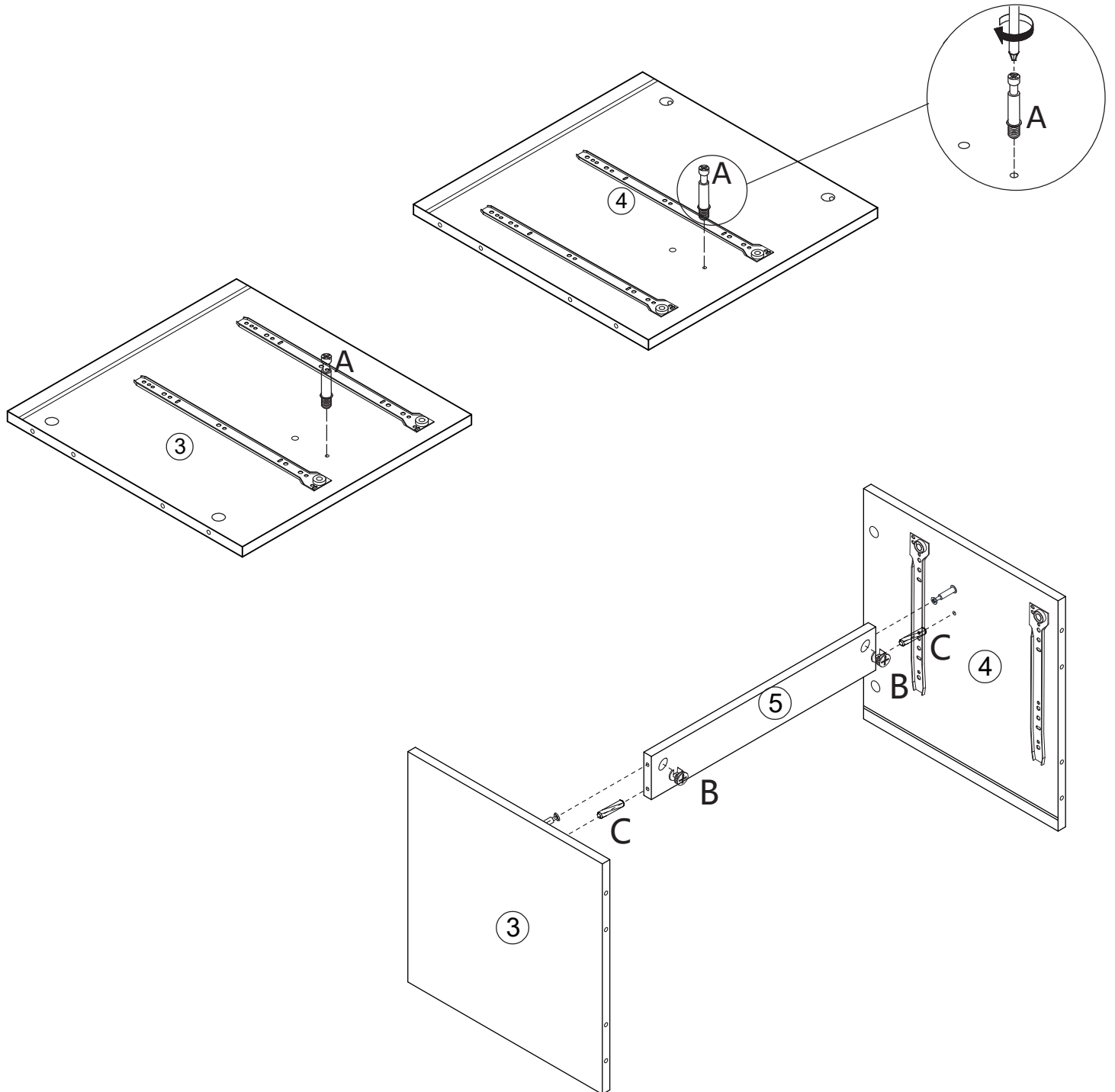
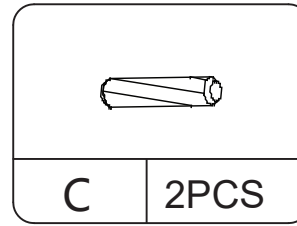
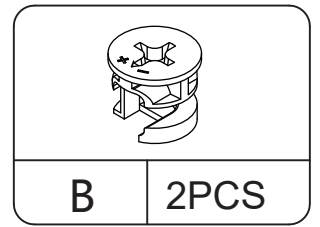
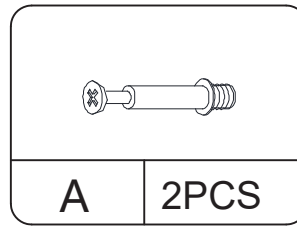
# The Accessoriess



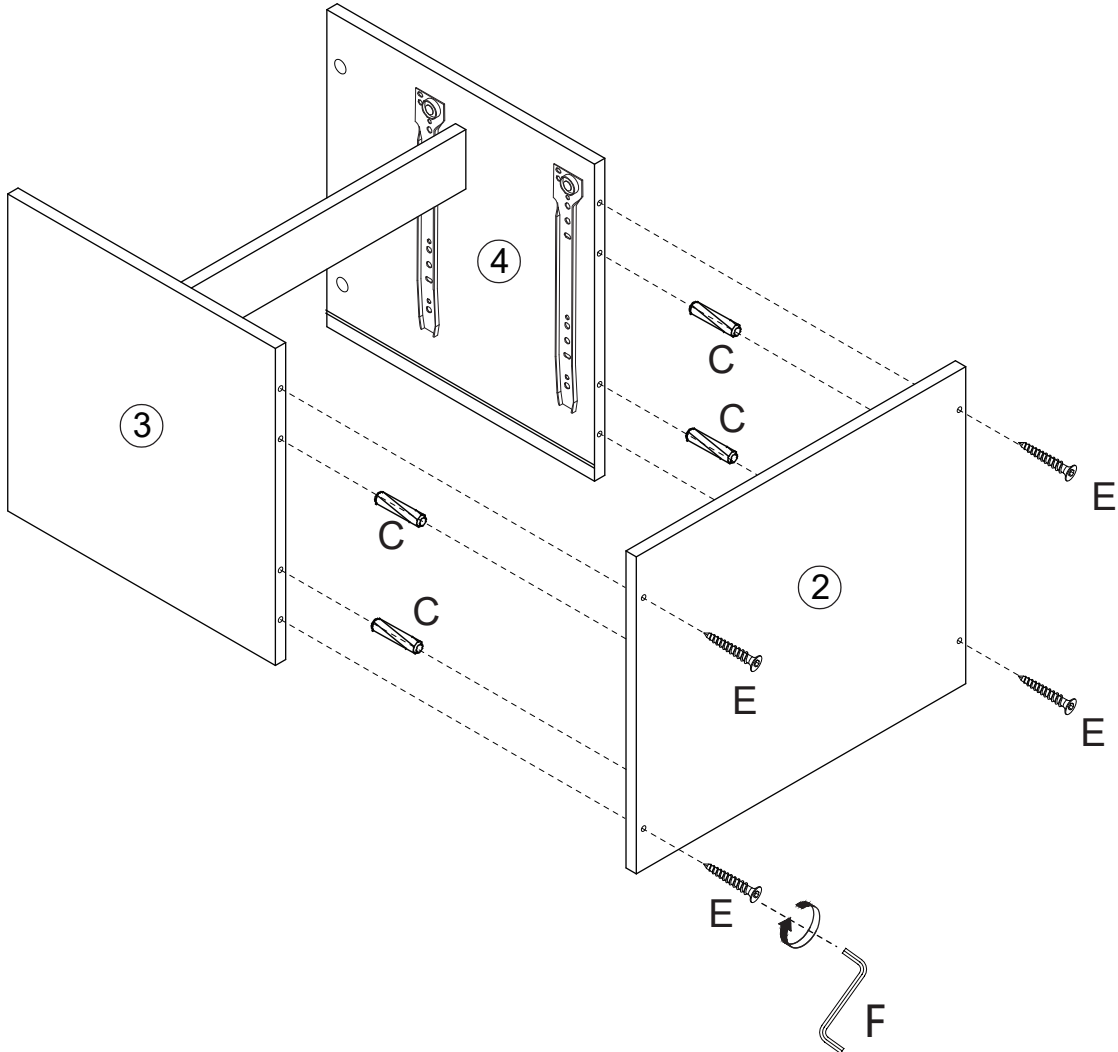
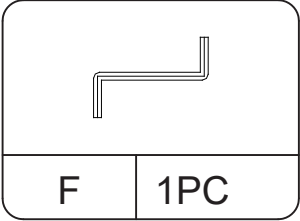
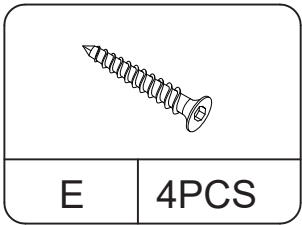
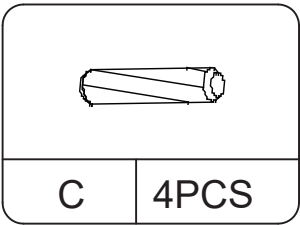
# Step 1



# Step 2

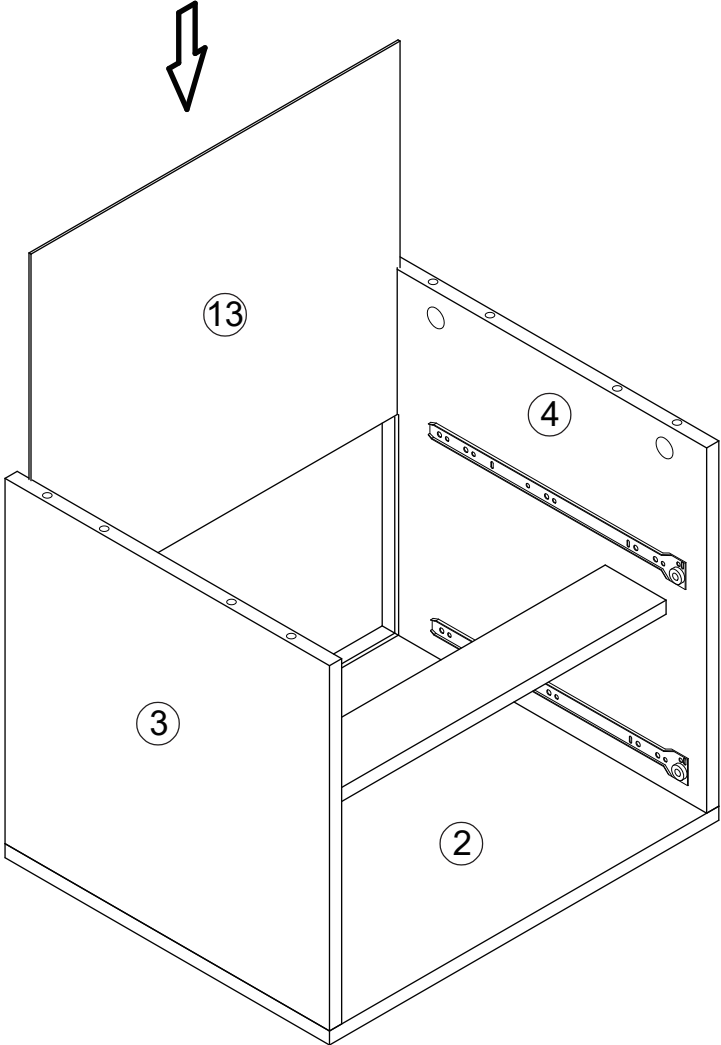


# Step 3

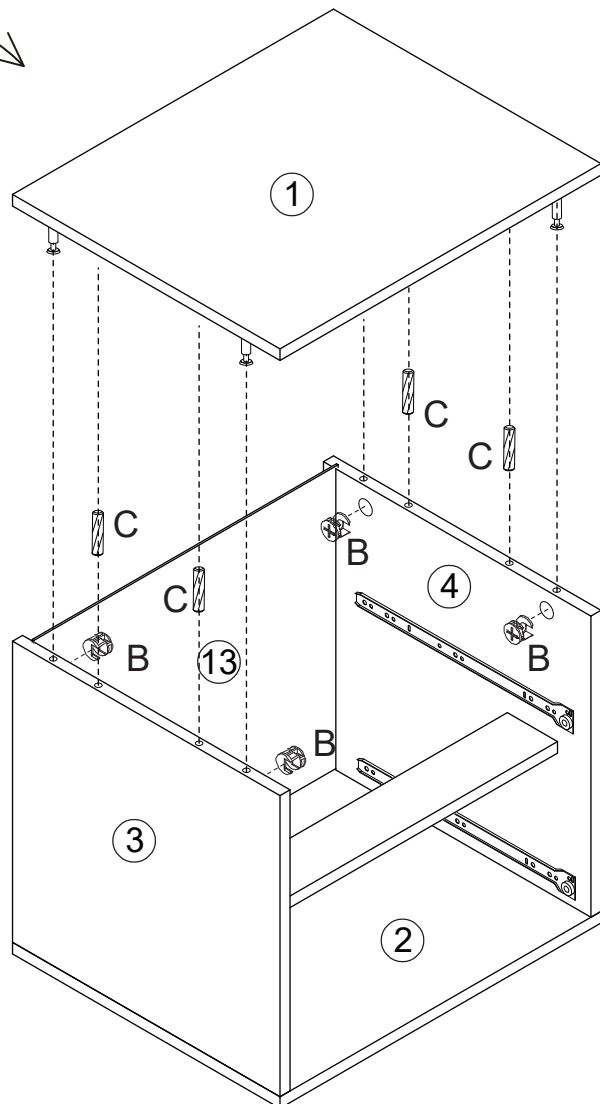
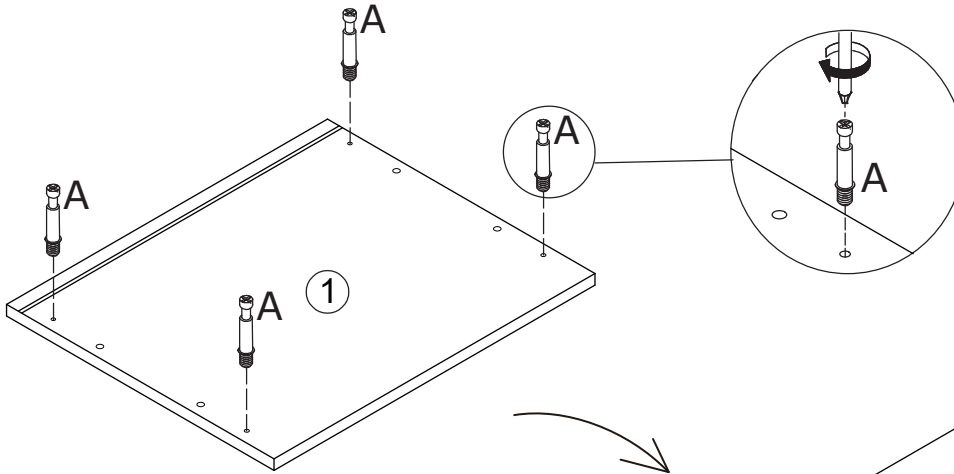
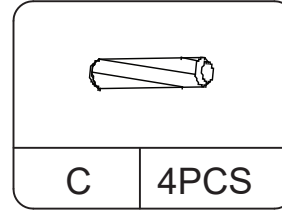
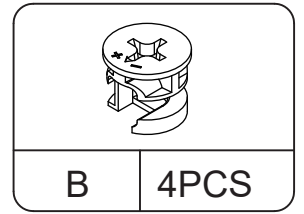
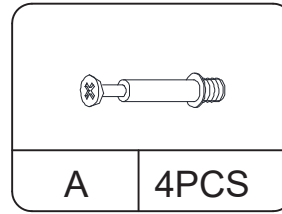




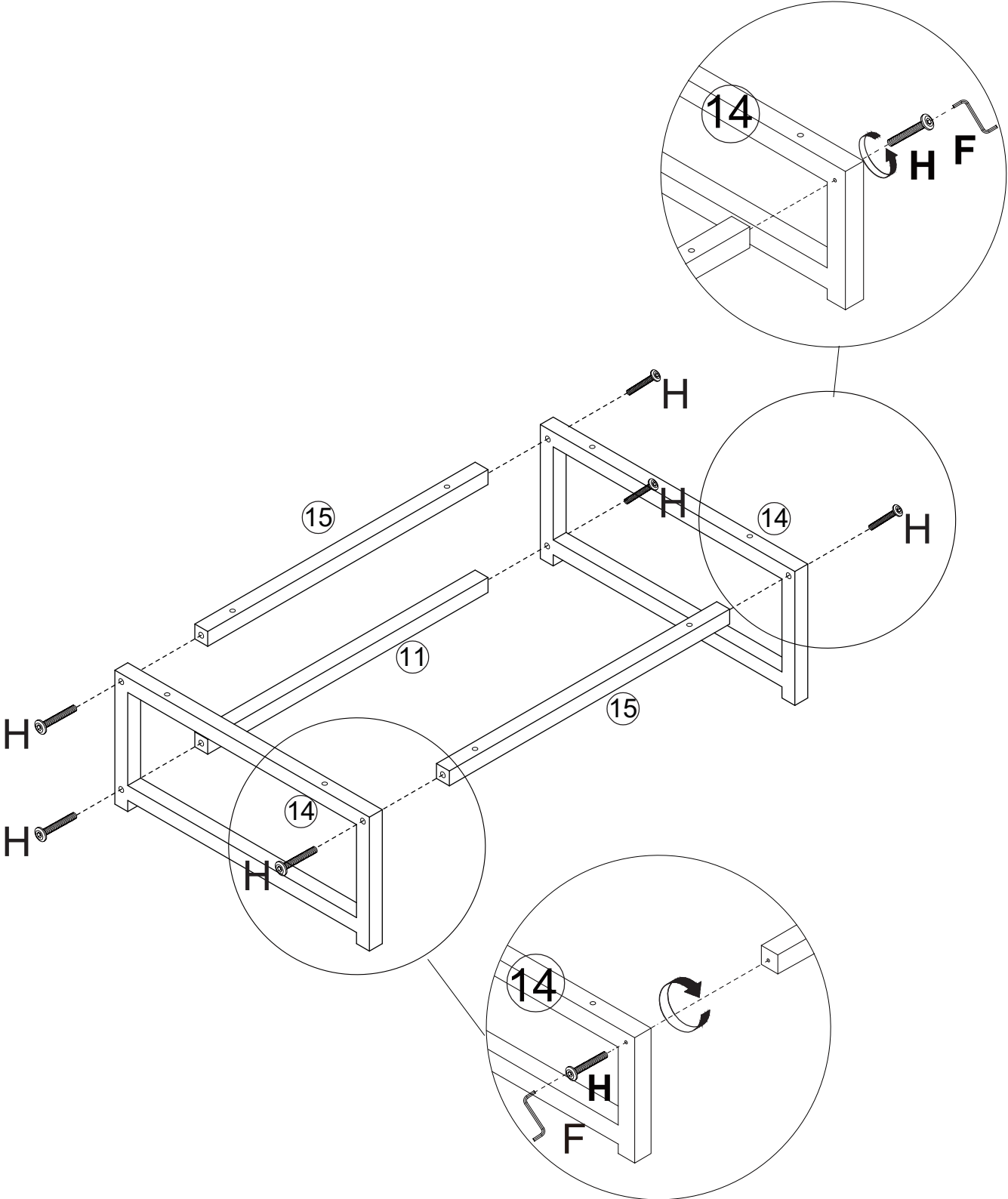
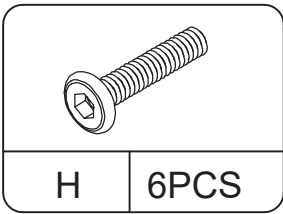
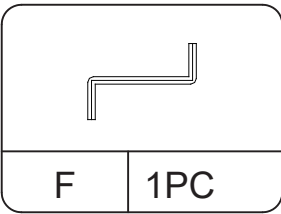
# Step 4



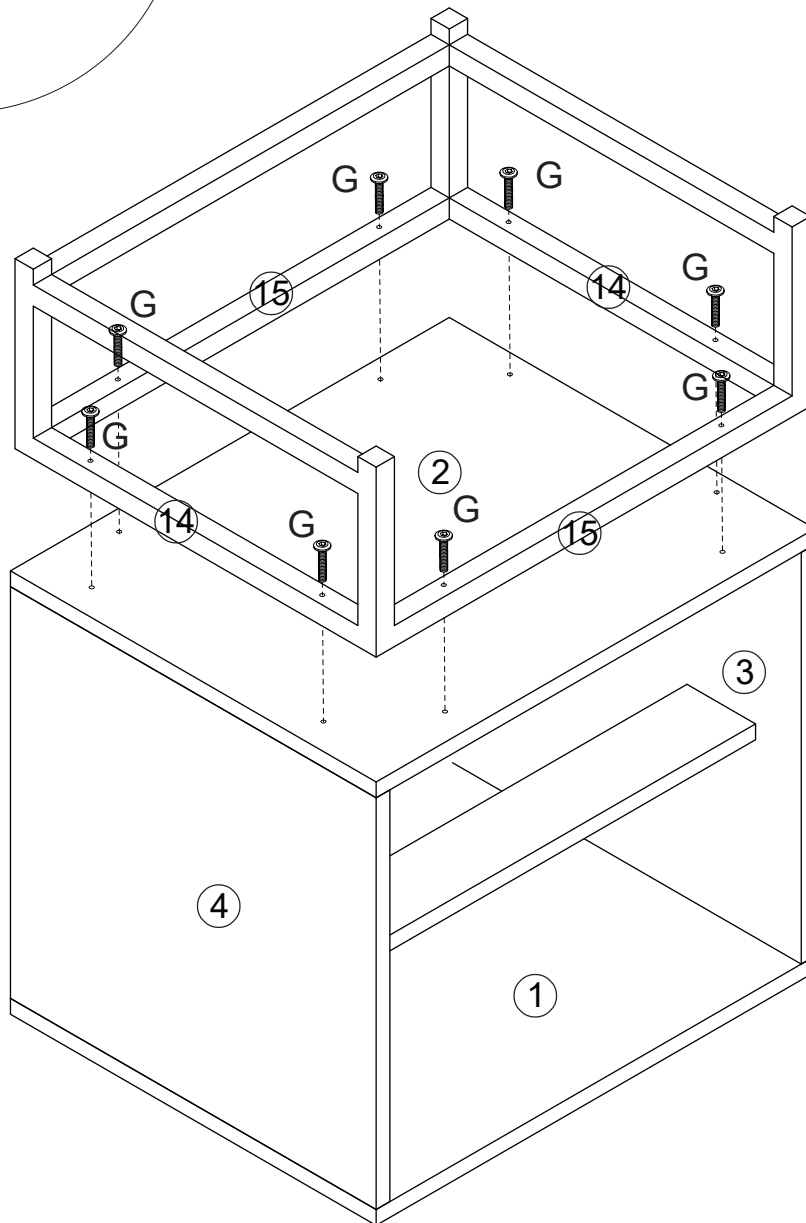
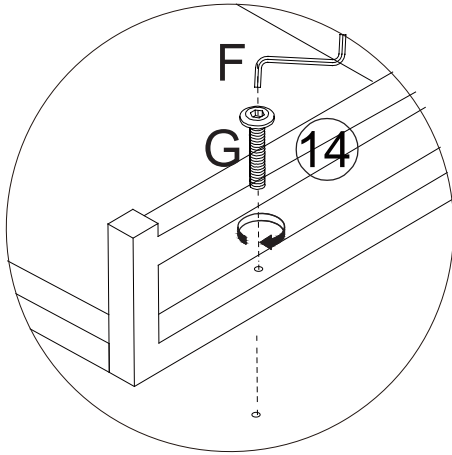
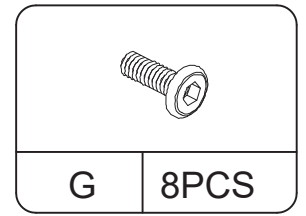
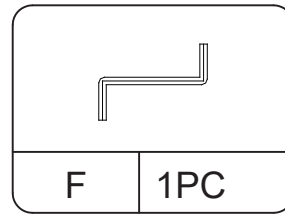
# Step 5



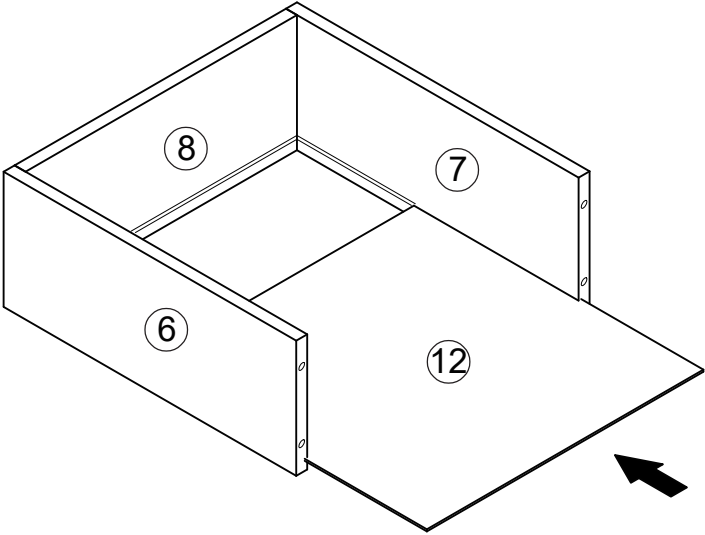
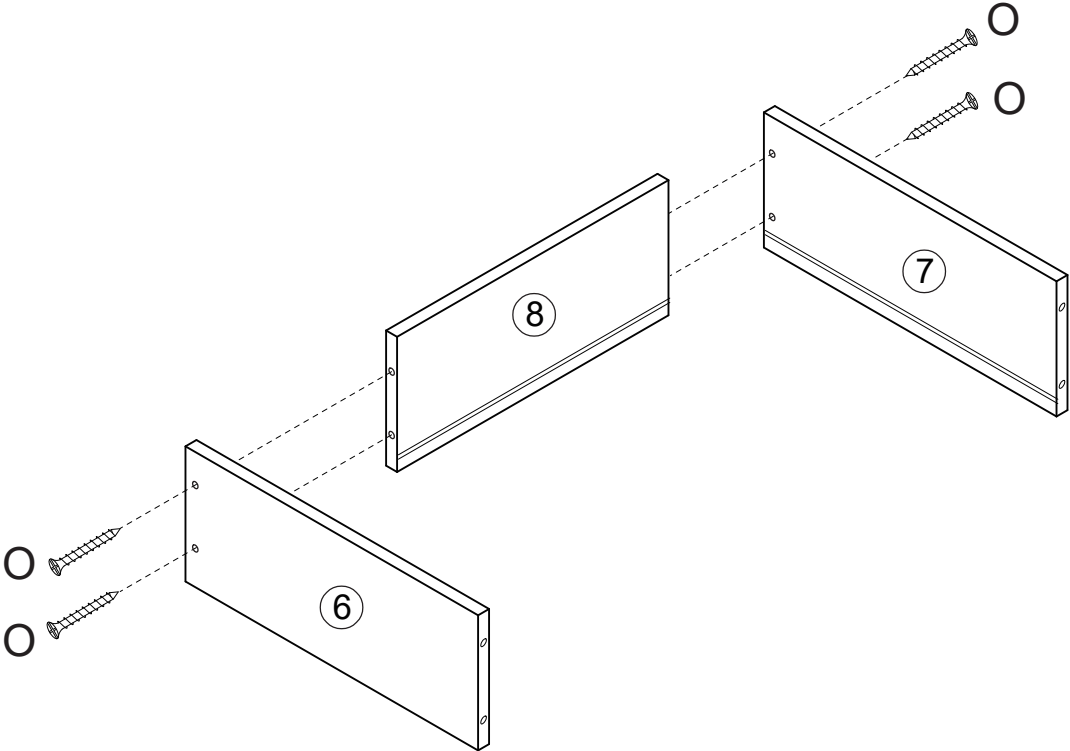
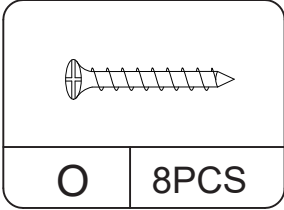
# Step 6



# Step 7

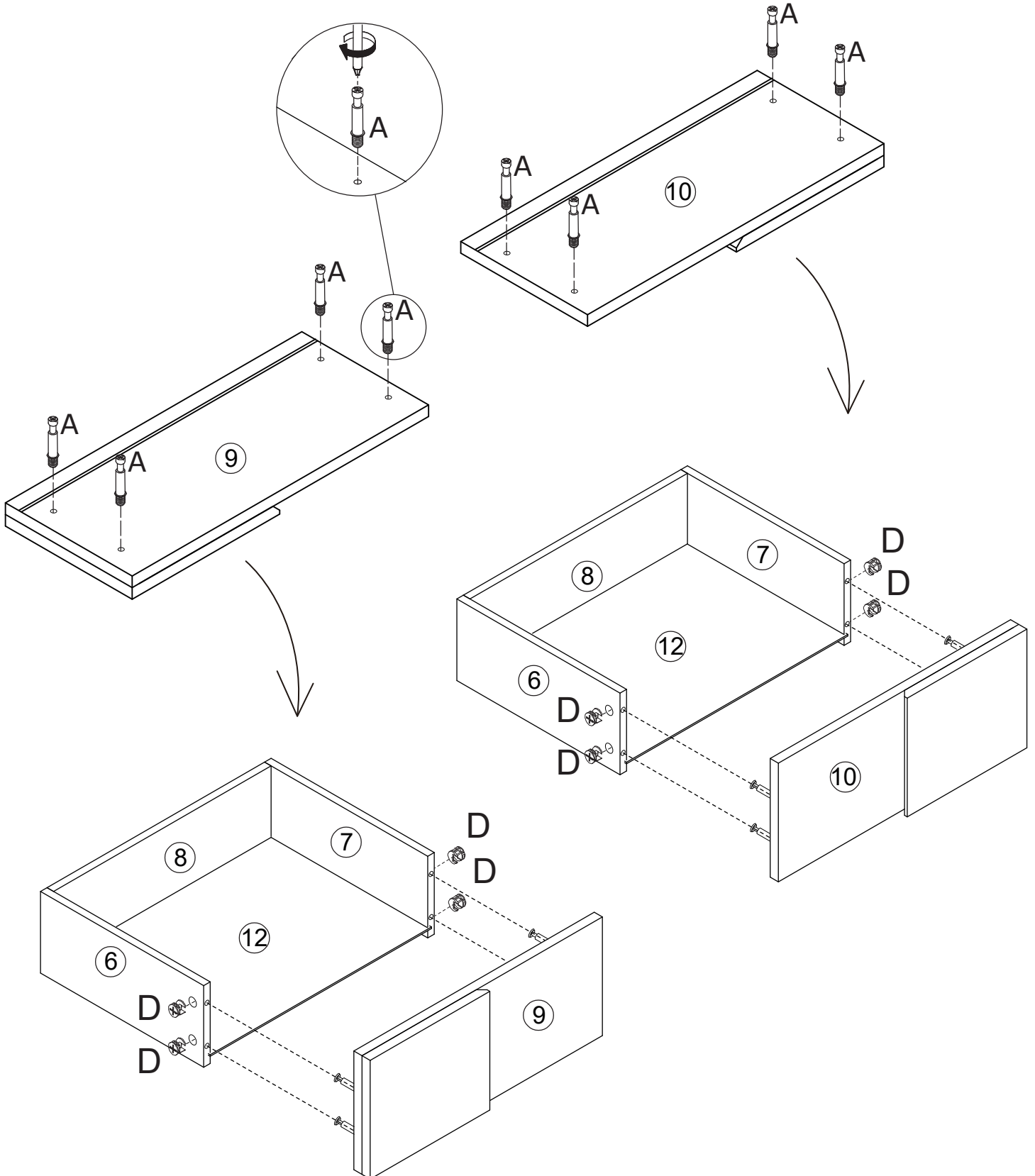
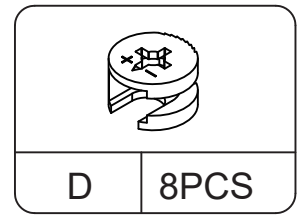
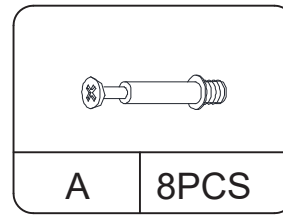


# Step 8

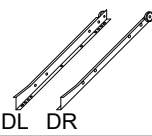


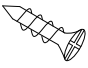
**X2**

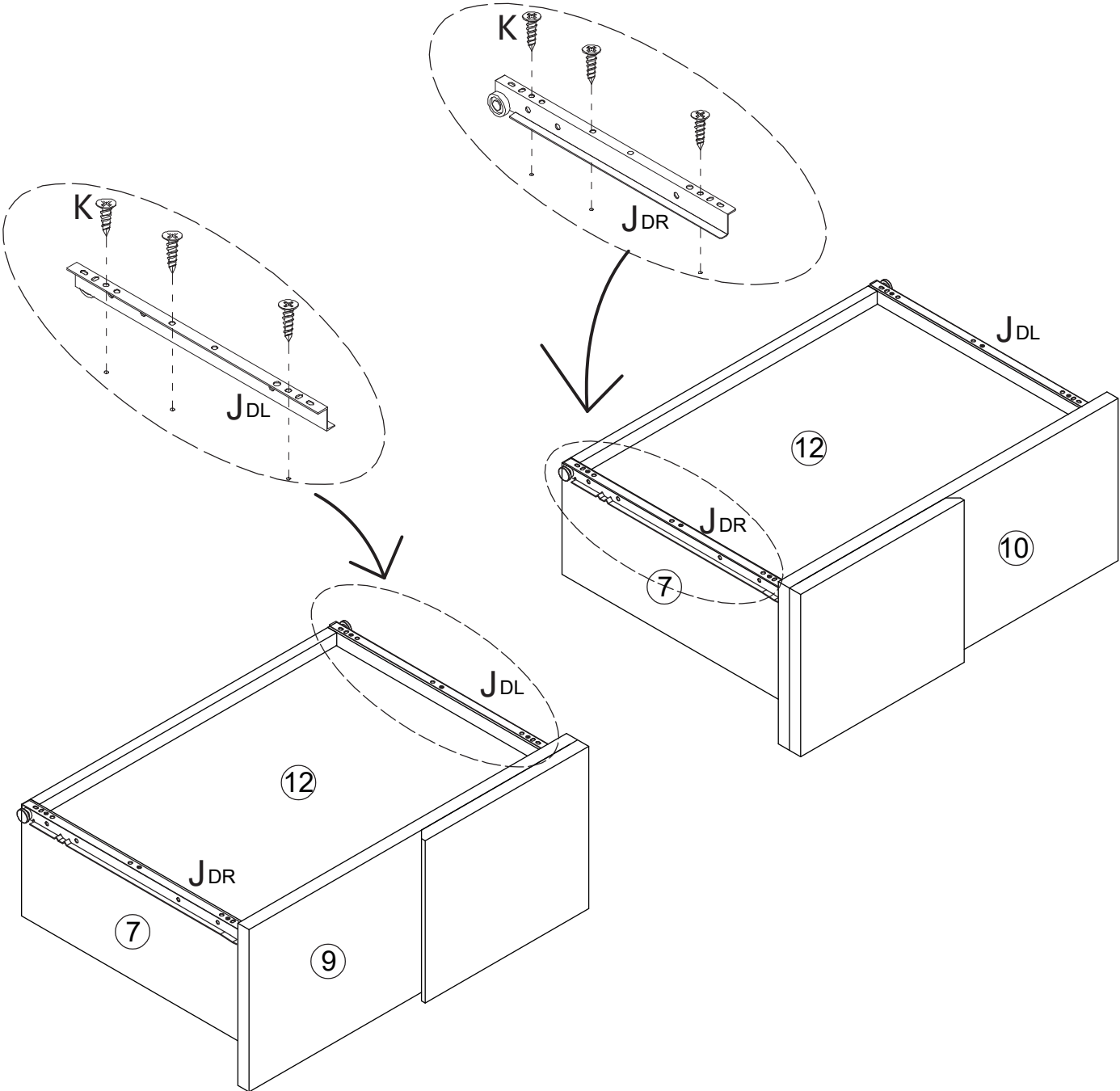
# Step 9



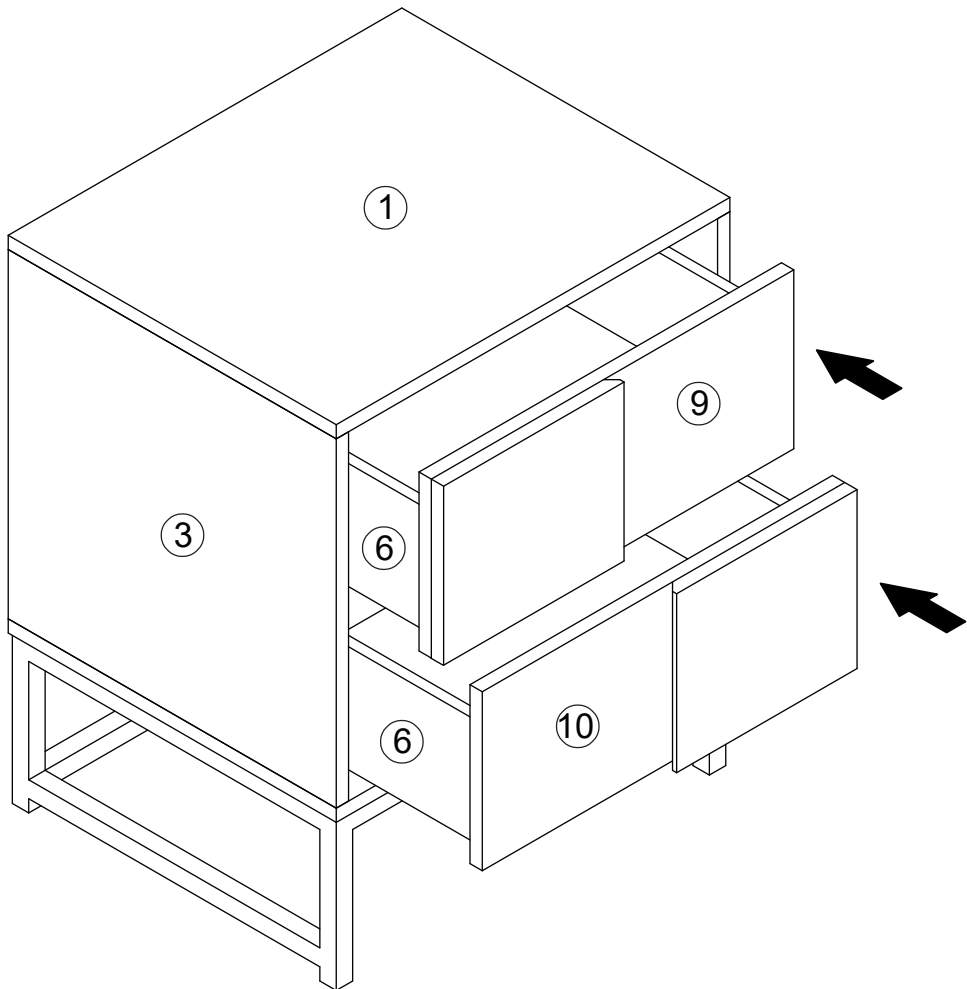
# Step 10

	
J	2PCS

	
K	12PCS

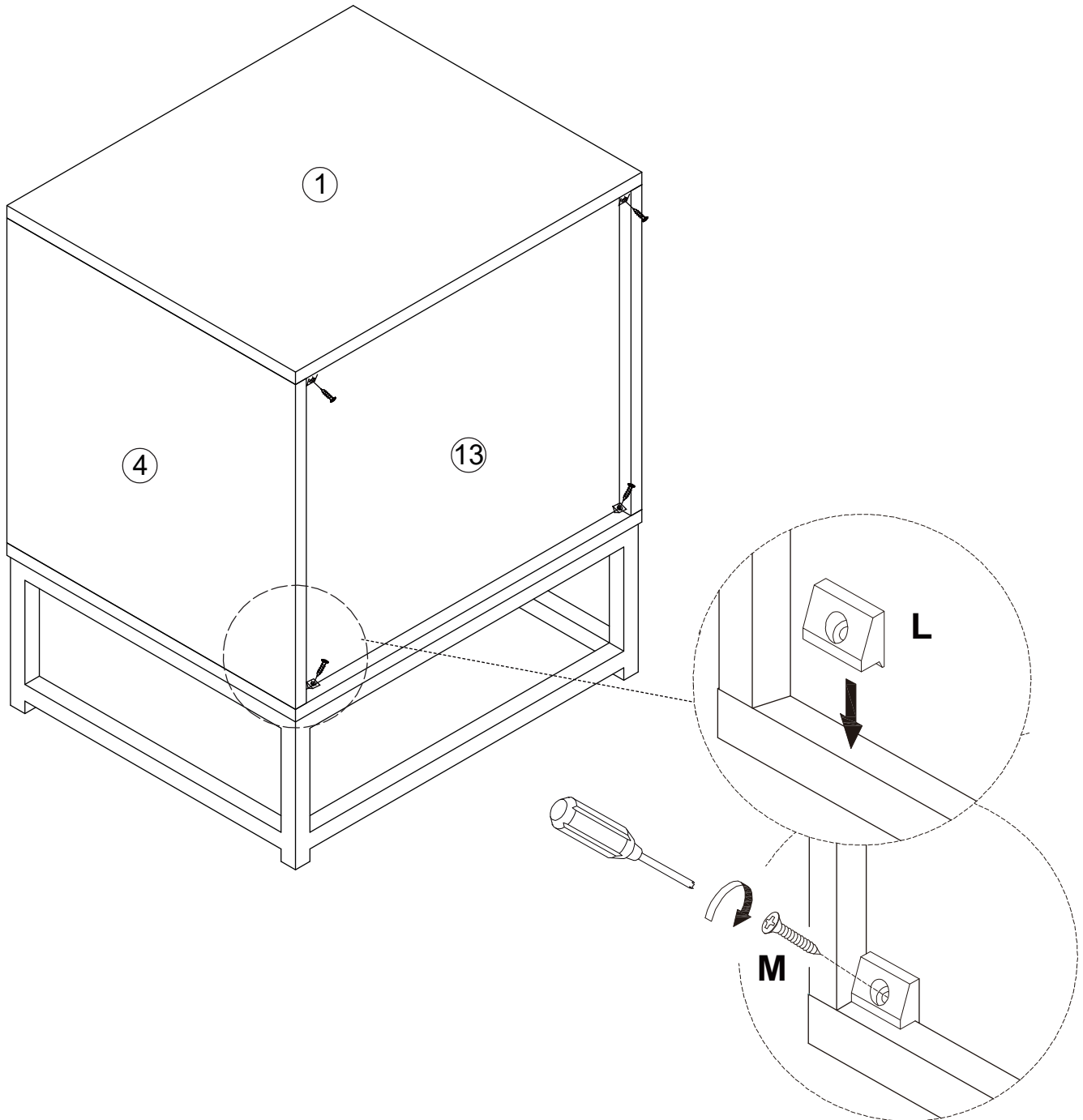
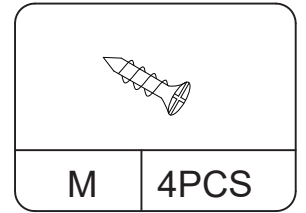
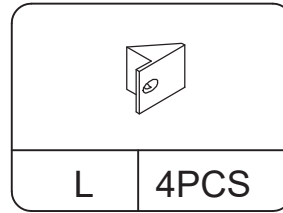


# Step 11

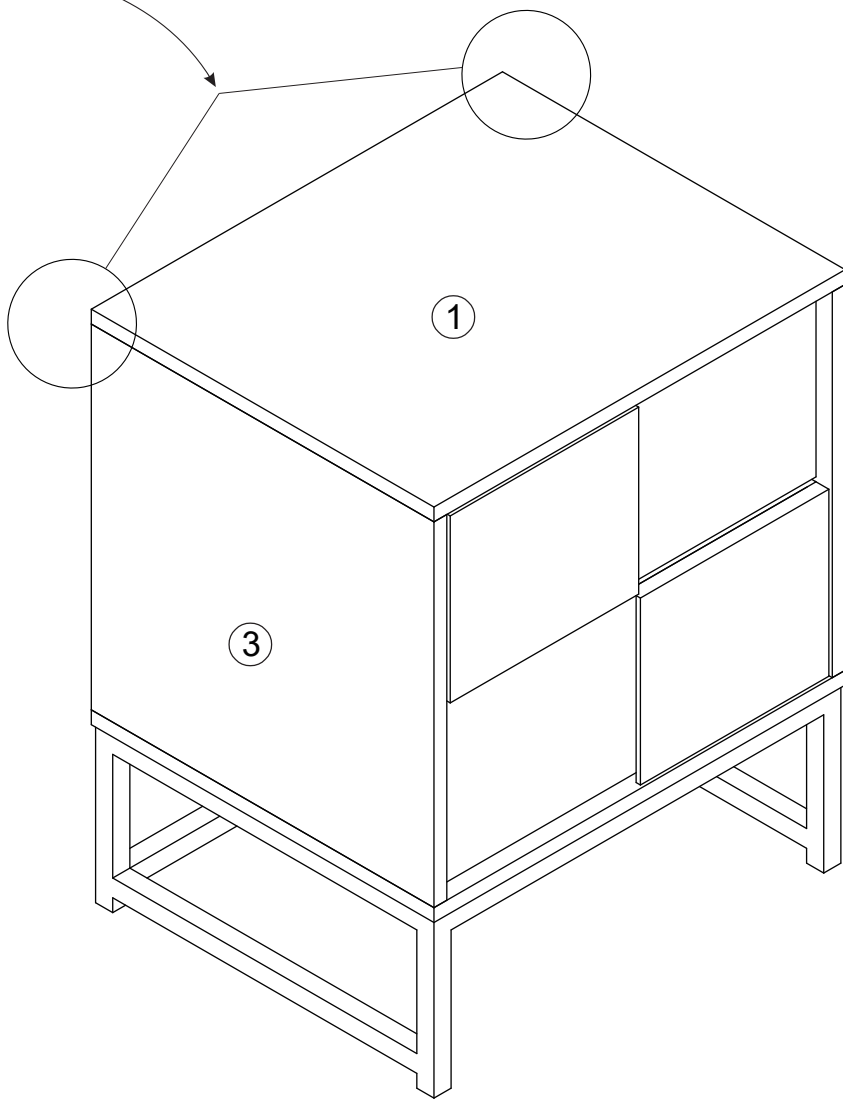
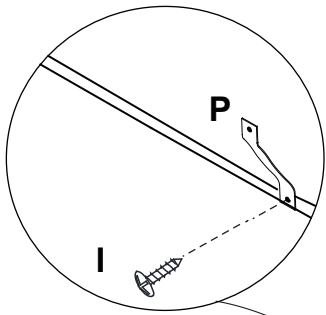
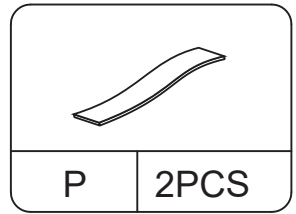
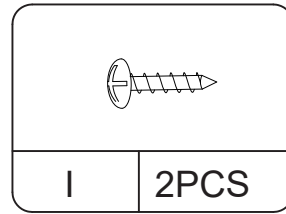




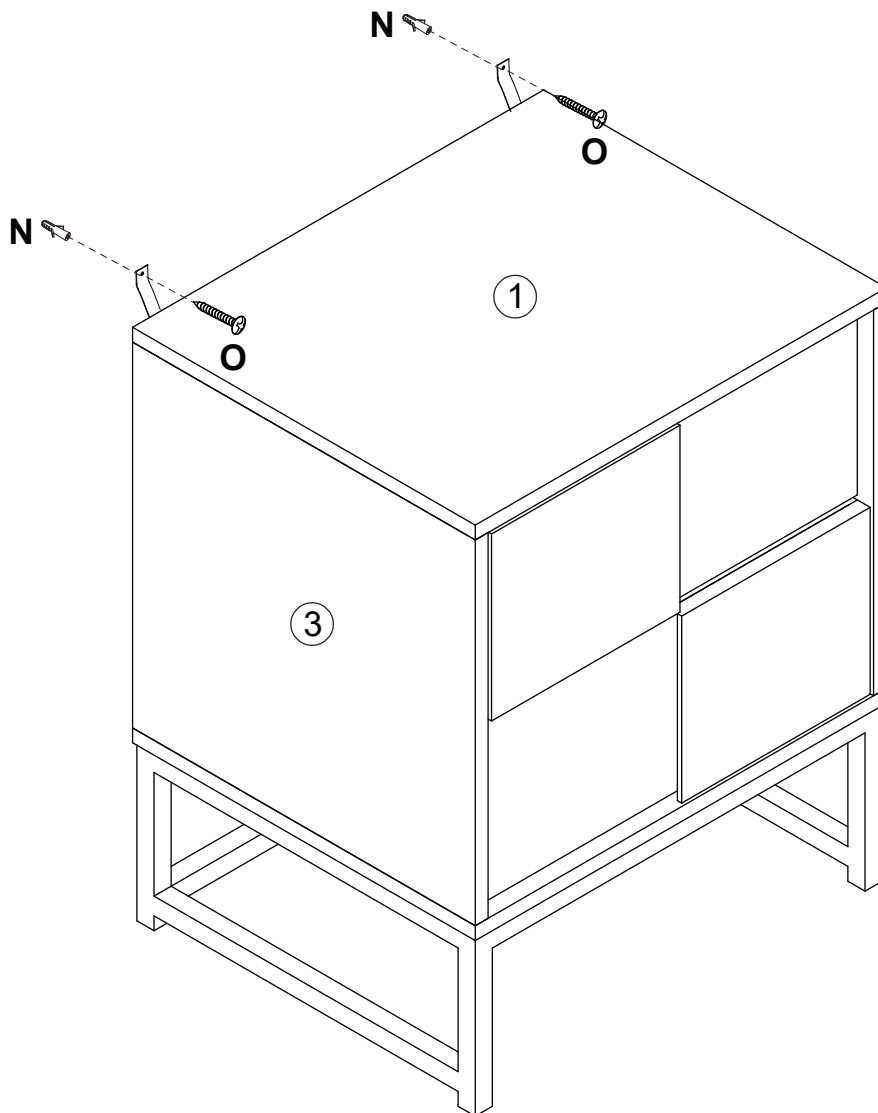
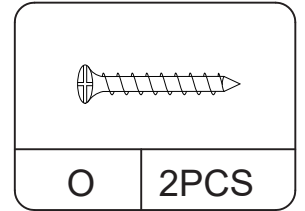
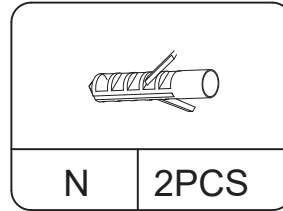
# Step 12



# Step 13



# Step 14



# Proper Use

- DO NOT** use for commercial purposes
- DO NOT** use as a step stool or stand on table
- DO NOT** put hot serving liquid directly on the table top
- DO NOT** leave spilled liquid on the table top
- DO NOT** use table if damaged
- DO NOT** exceed weight limit
- DO NOT** make temporary repairs
- DO NOT** use outdoor

Dear Customer:

Thank you for purchasing our product, we wish you satisfy our service, if you have any further questions or any quality issues, please show the belows number and don't hesitate to contact our Customer Service People. :

**W688202305**