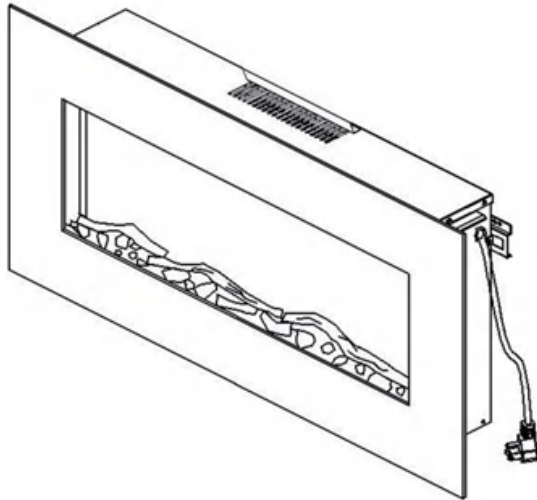


OWNER'S MANUAL

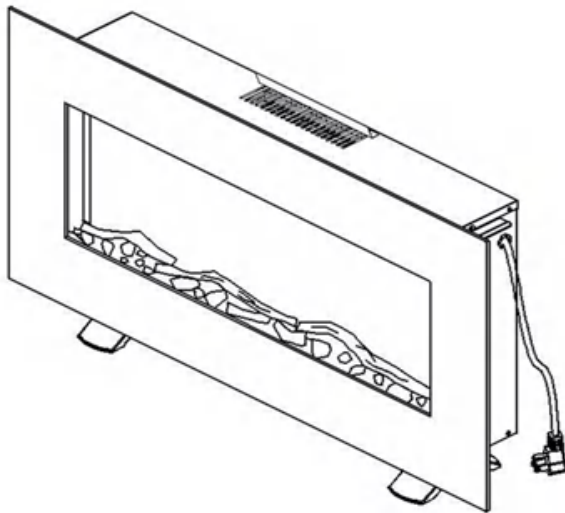
FLAT PANEL ELECTRIC FIREPLACE HEATER

W41923656



Wall Mounted

Using the wall bracket kit.



Free Standing

Using foot bracket kit.



WARNING

Read and understand this entire owner's manual, including all safety information, before plugging in or using this product. Failure to do so could result in fire, electric shock, or serious personal injury.



CAUTION

Keep this owner's manual in a safe place for future reference. If you sell or give this product away, make sure this manual accompanies this product.



NOTICE

Pictures within this owner's manual are for reference only. Please refer to the actual product for appearance.

120V AC; 60 HZ; MAXIMUM POWER 1500 WATTS

ALL ELECTRIC. NO WOOD OR CHARCOAL. NO GAS. NO VENTING REQUIRED.

IMPORTANT SAFETY INSTRUCTIONS!

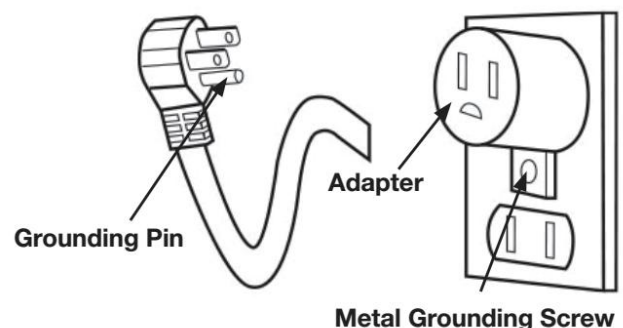
WARNING

• Read these instructions carefully before using this heater!

- This heater is hot when the heat mode is in use. To avoid burns, **DO NOT** let bare skin touch **hot** surface. If provided, always use handles when moving this heater. Keep **combustible materials**, such as furniture, pillows, bedding, papers, clothes, and curtains at least **3 feet (0.9m)** from the **front of the heater**, and **keep them away from the sides and rear**.
- **EXTREME CAUTION** is necessary when any electric heater is used.
- **NEVER** operate this heater with a **damaged cord or plug** or after the **heater malfunctions**, has been **dropped** or **damaged in any manner**. Discard heater, or call a certified technician for examination and or/repair.
- **NEVER** run the **power cord** under carpeting. **DO NOT** cover power cord with throw rugs, runners, or similar coverings. **DO NOT** route power cord under furniture or appliances. Arrange power cord **away from any traffic area**, and where it will not be tripped over.
- **Connect to properly grounded power outlets ONLY.**
- **NEVER** insert or **allow foreign objects** to **enter any ventilation or exhaust opening**, as this may cause **electric shock, fire, or damage the heater**.
- To prevent a possible fire, **DO NOT** block air intakes or exhaust in any manner. Doing so could cause a **fire**. **DO NOT** place the heater near soft surface, such as curtains or bedding, where openings may become blocked.
- The heater contains **hot and arcing or sparking parts inside**. **DO NOT** use it in areas where **gasoline, paint, or flammable liquids** are used or stored.
- Use this heater only as described in this manual. Any other use **not recommended** by the manufacturer may **cause fire, electric shock, or injury to persons**.
- **ALWAYS** plug the heater directly into a wall outlet. **NEVER** use the heater with an **extension cord** or **relocatable power board (outlet/power strip)**.
- **NEVER place the heater near** bedding or curtains because objects such as pillows or blankets can fall off the bed and be ignited by the heater.
- **NEVER** use this heater in **bathrooms, laundry rooms**, or any other location where the heater could fall into a **bathtub** or **pool**, become damp, or **come in contact with water**.
- **AVOID FIRE!** Regularly inspect all air vents to make sure they are free from dust, lint, or other blockage. Unplug the unit and clean with a **vacuum ONLY**. **DO NOT** rinse or get wet.
- **NEVER** hang this unit on a wall **directly below an electric outlet**.
- **NEVER permanently install in a recessed area of the wall**. This may result in **blocked air flow, overheating, or fire**.
- **NEVER** use a wall mount bracket from another manufacturer.

WARNING

- **For residential use only! NOT for commercial use!** Any commercial or public use of this heater **voids all warranties**, and could cause **injury**.
- This product is **not intended** to be a **primary heat source**. It is for **supplemental heat only**.
- **INDOOR use only! NEVER** use this heater **outdoors!** Doing so may result in **electric shock!**
- **Risk of electric shock! DO NOT REMOVE THE COVER!** NO user-serviceable parts inside!
- **NEVER modify this heater.** Doing so could result in personal **injury** or property **damage**. Modification of this fireplace **completely voids all warranties**.
- **ALWAYS** turn this heater off before unplugging it from the outlet.
- **ALWAYS disconnect** this unit from the **power supply before** performing any assembly or cleaning, or before relocating the product.
- **NEVER** leave this heater unattended. **ALWAYS** unplug this heater when not in use.
- **ALWAYS** store this heater in a dry location. **NEVER** use the product if it has become wet.
- Place the heater near a wall outlet so an extension cord is not needed.
- **ONLY** use this heater on a **120V AC 15-Amp grounded circuit**. **NEVER overload the circuit**. If this heater trips the circuit breaker, unplug all other appliances on the same circuit before the next use. Avoid plugging other appliances into the same circuit as this heater.
- **NEVER** plug this heater into an outlet that is **old, cracked**, or has any **loose wires or connections**. Plugging this heater into a faulty outlet could result in **electric arcing** within the outlet that could cause the **outlet to overheat or catch fire**.
- **ALWAYS** check your heater cord and plug connections with **each use!**
 - i) **Make sure** the plug fits tight in the outlet! Faulty wall outlet connections or loose plugs can cause the outlet to overheat.
 - ii) **Heaters draw more current** than small appliances. **Overheating** may occur even if it has not occurred with the use of other appliances.
 - iii) During use **check frequently** to see if the **plug outlet or faceplate is HOT!**
 - iv) If the outlet or faceplate is **HOT, discontinue use immediately** and have a qualified electrician inspect and/or replace the faulty outlets.
- The power cord supplied with the heater has three prongs: two flat blades (live and neutral) and one round pin (ground). If a 3-slot outlet is not available, an adapter **MUST** be used. The adapter **MUST** be properly grounded to the outlet box (see figure at right).
[NOTE: Adapter NOT INCLUDED.]



PREPARATION



NOTICE

This product includes **GLASS! ALWAYS** use **extreme caution** when **handling glass**. Failure to do so could result in **personal injury** or **property damage**.



NOTICE

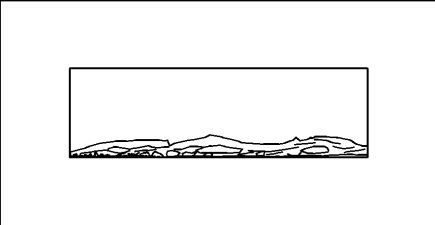




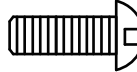
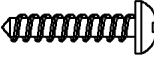

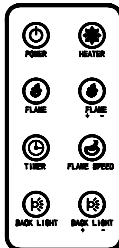

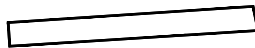
Make sure all parts are dry, and the power cord and plug are not damaged. See **IMPORTANT SAFETY INFORMATION** on pages 2 and 3.

TOOLS NEEDED (NOT INCLUDED)

 <p>Phillips Screwdriver</p>	 <p>Stud Finder</p>	 <p>Level</p>	 <p>Tape Measure</p>
 <p>Electric Drill</p>	 <p>1/4" Wood Drill Bit</p>	 <p>Hammer</p>	

PARTS AND HARDWARE

1. Remove all parts and hardware from the carton and place them on a clean, soft and dry surface.
2. Compare the contents with the parts list to make sure nothing is missing.
3. Dispose of all packaging materials properly.
4. Please recycle whenever possible.

<p>A</p>  <p>Fireplace</p>	<p>B</p>  <p>3 x M6x16mm Wood Screws</p>	<p>C</p>  <p>3 x Drywall Anchors</p>
<p>G</p>  <p>Faux Log Bed (Currently Installed)</p>	<p>H</p>  <p>2 x Foot Brackets</p>	<p>I</p>  <p>4 x M6x16mm Bolts</p>
<p>D</p>  <p>2 x M4x8mm Metal Screws</p>	<p>E</p>  <p>1 x Wall Bracket</p>	<p>F</p>  <p>1 x Remote Control</p>
<p>K</p>  <p>Acrylic</p>	<p>L</p>  <p>1 x Shelf Insert</p>	

INSTALLATION FOR WALL MOUNTING OPTION



ALWAYS make sure the unit is **unplugged** before beginning **assembly!** **NEVER** move or clean the heater, or change the bulb, while it is **plugged in.**

STEP 1: Find a suitable safe location.

Minimum clearance on each side: 20".

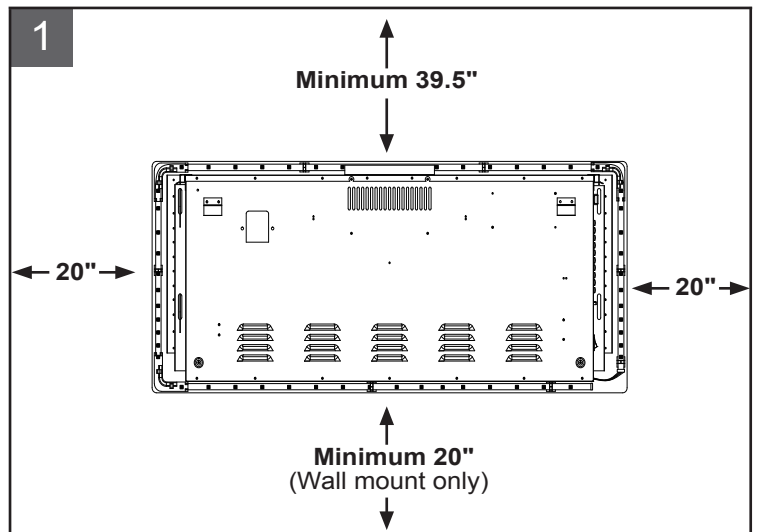
Minimum clearance below: 20". (Wall mount only).

Minimum clearance above: 39.5".

Minimum clearance from the front: 36".

Choose a location near an outlet so an extension cord is **not required.**

DO NOT position the unit **directly below** a power outlet.



NOTICE

The **Drywall Anchors(C)** included with this fireplace are for use **ONLY** with a wood framed wall covered in drywall (sheet rock). For concrete walls, cinder blocks, or other wall types, consult a professional for the best attachment methods.



ALWAYS unplug this fireplace heater **before assembly, cleaning, or relocating.** Failure to do so could result in **electric shock, fire, or personal injury.**

STEP 2: Locate your available wall studs using an electronic stud finder.

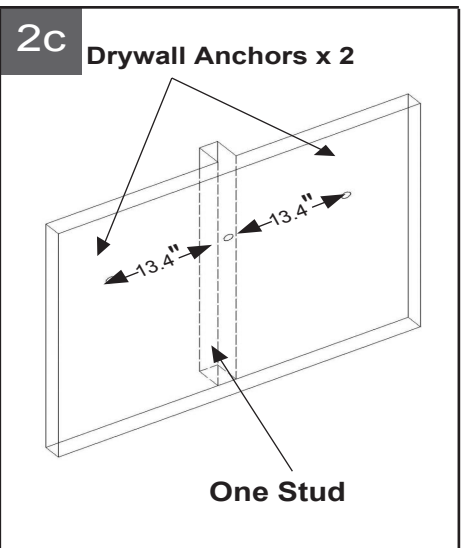
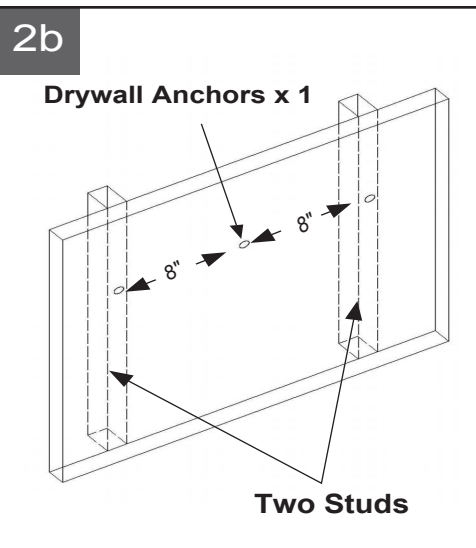
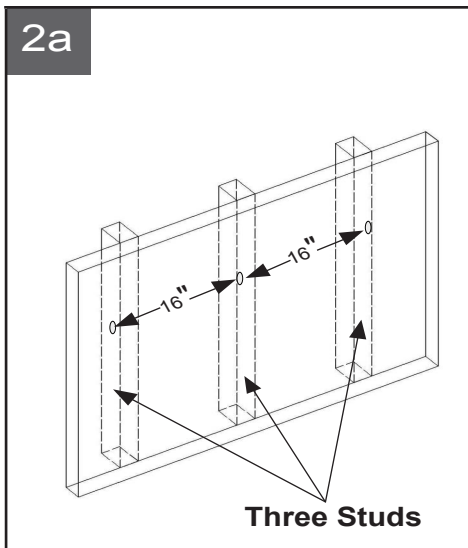
STEP 2a: If you have three studs available, mark the centre of the middle stud and drill a single hole using a 1/4" drill bit, then mark and drill a single hole into the center of each of the other two studs (each hole should be 16" apart from the other). Take care to ensure the three holes are level.

STEP 2b: If you have two studs available, drill a single hole in each stud using a 1/4" drill bit. Drill a third and final hole between the two stud holes (check measure that the center hole is 8" apart from the other two holes). Take care to ensure the three holes are level.

With a hammer gently tap one **Drywall Anchor(C)** into the center hole between the two stud holes.

STEP 2c: If you have only one stud available, mark the center of that stud and drill a single hole using a 1/4" drill bit, then drill a single hole 13.4" either side of the center hole. Take care to ensure the three holes are level.

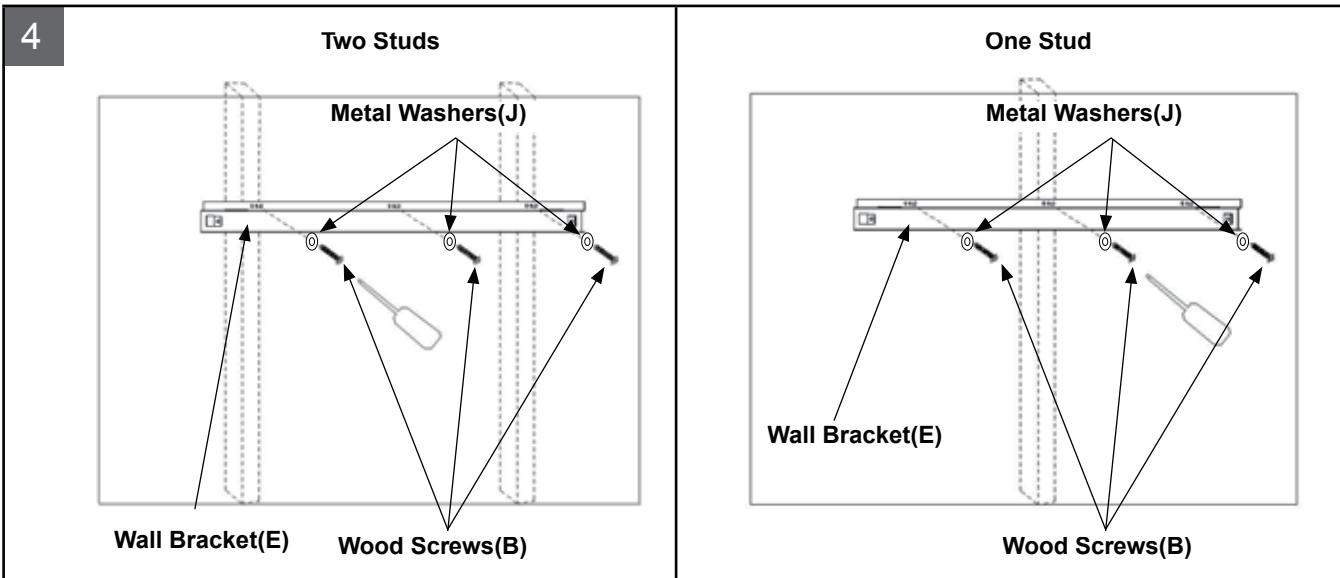
With a hammer gently tap two **Drywall Anchors(C)** into the holes either side of the stud hole.



**NOTICE**

AVOID INJURY and DAMAGE! Wood Screws(B) should be screwed **directly** into wall studs when possible.

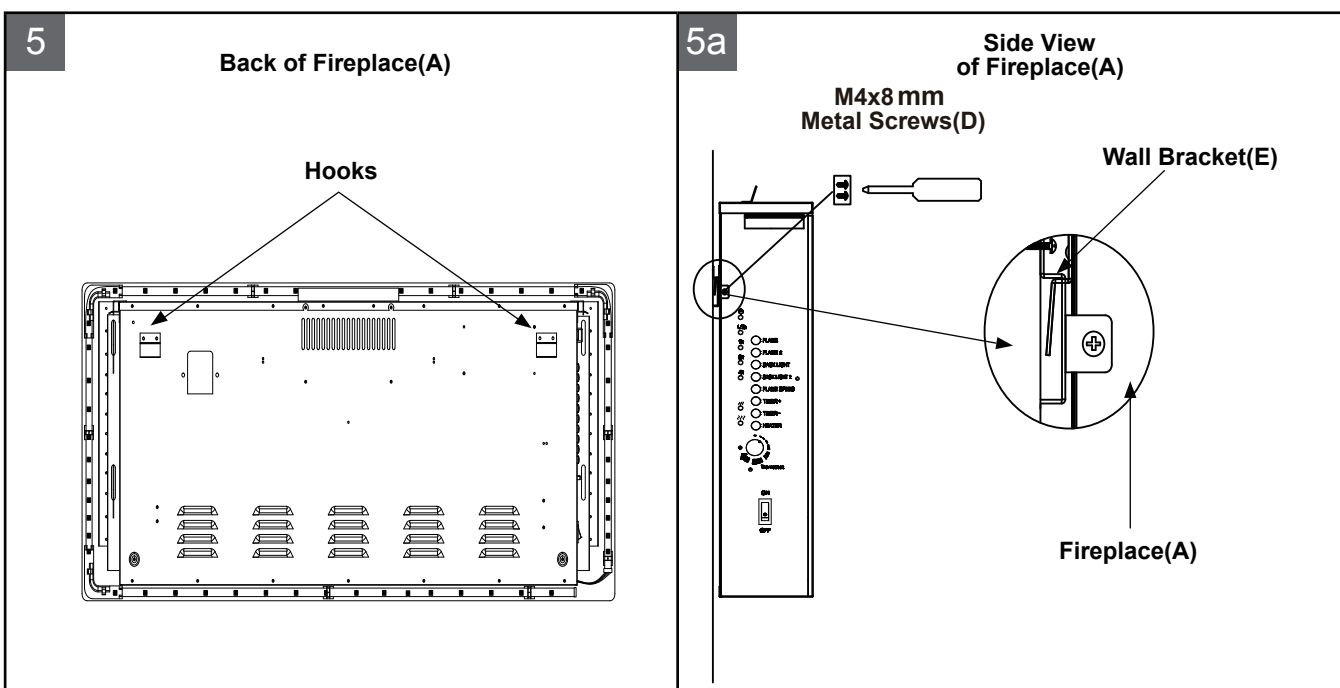
STEP 4: Align the holes in the **Wall Bracket(E)** with the pilot holes and **Drywall Anchors(C)**. Thread three **Wood Screws(B)** and **Metal Washers(J)** through the holes in the wall bracket and directly into the wall studs and **Drywall Anchors(C)**. Make sure the **Wall Bracket(E)** is level. Tighten all screws securely with a screwdriver.

**NOTICE**

WE RECOMMEND THAT TWO CAPABLE ADULTS PERFORM THIS PROCEDURE.

STEP 5: With the help of a capable adult, lift the **Fireplace(A)** and align the two hooks on the back of the fireplace with the slots on the **Wall Bracket(E)**. Carefully set the hooks into the slots.

STEP 5a: Secure the fireplace to the **Wall Bracket(E)** with two **M4x8mm Metal Screws(D)**, one on each side. Thread the **Metal Screws(D)** through the fireplace and into the **Wall Bracket(E)** side tabs. Tighten both screws with a screwdriver.



ASSEMBLY FOR FREE STANDING OPTION

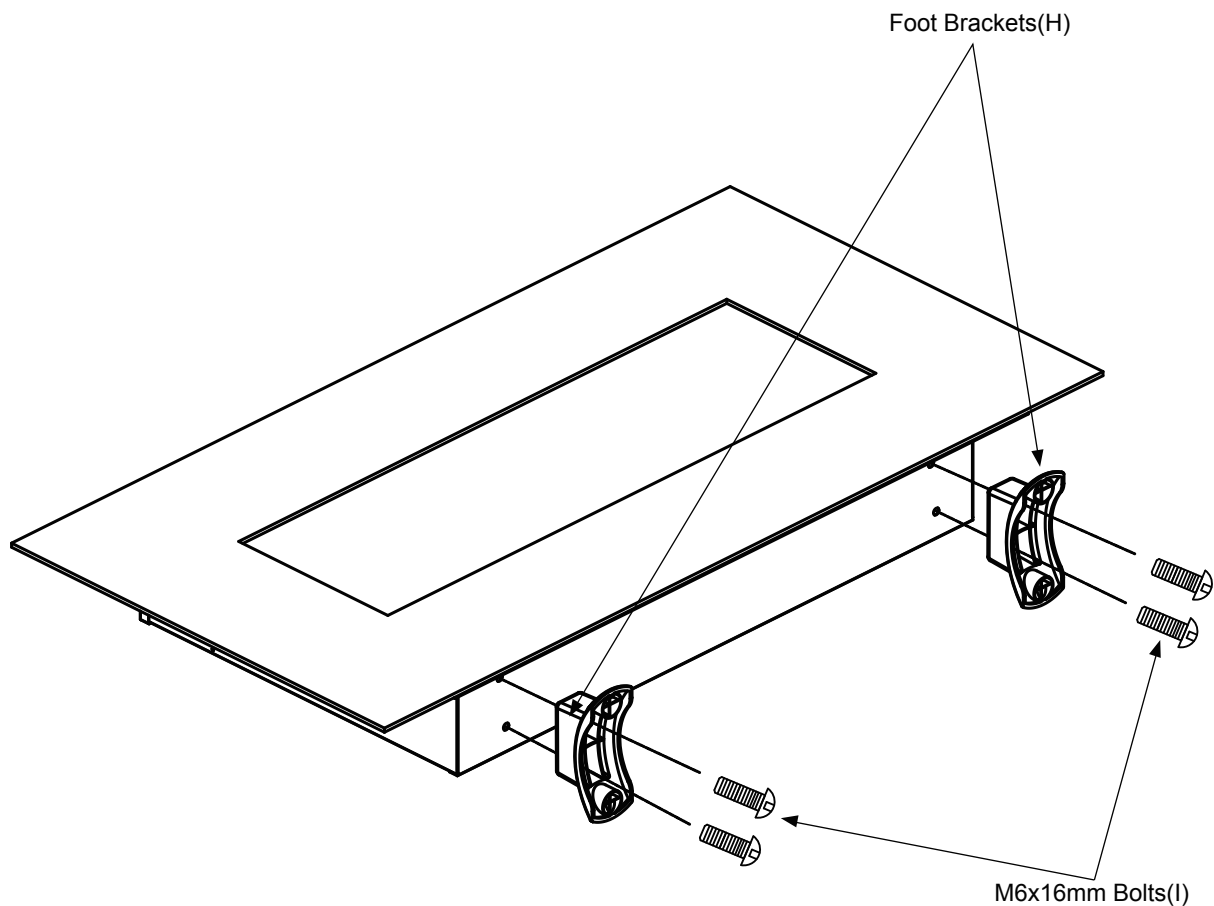


NOTICE

WE RECOMMEND THAT TWO CAPABLE ADULTS PERFORM THIS PROCEDURE.

STEP 1: With the help of a capable adult, carefully lay the fireplace on a protected work surface on its back. Secure the **Foot Bracket(H)** to the bottom of the fireplace with two **M6x16mm Bolts(I)** . Tighten each screw securely with a screwdriver. Repeat **Step 1** using remaining **Foot Bracket(H)** and two **M6x16mm Bolts(I)**.

1



OPERATION



Read and understand this entire owner's manual, including all safety information, before plugging in or using this product. Failure to do so could result in **electric shock, fire, serious injury, or death.**



NOTICE

This heater is not intended to be a primary heat source. It is designed to provide supplemental heat, and should not be left running to continuously for more than eight hours.

POWER

Make sure the ON/OFF switch, located on the left side panel, is in the OFF position. Plug the power cord into a 120 Volt 15 Amp grounded outlet (see **IMPORTANT SAFETY INFORMATION on Pages 2 and 3**). Make sure the outlet is in good condition and that the plug is not loose. **NEVER** exceed the maximum amperage for the circuit. **DO NOT** plug other appliances into the same circuit.

TEMPERATURE LIMITING CONTROL - AUTO SHUT OFF

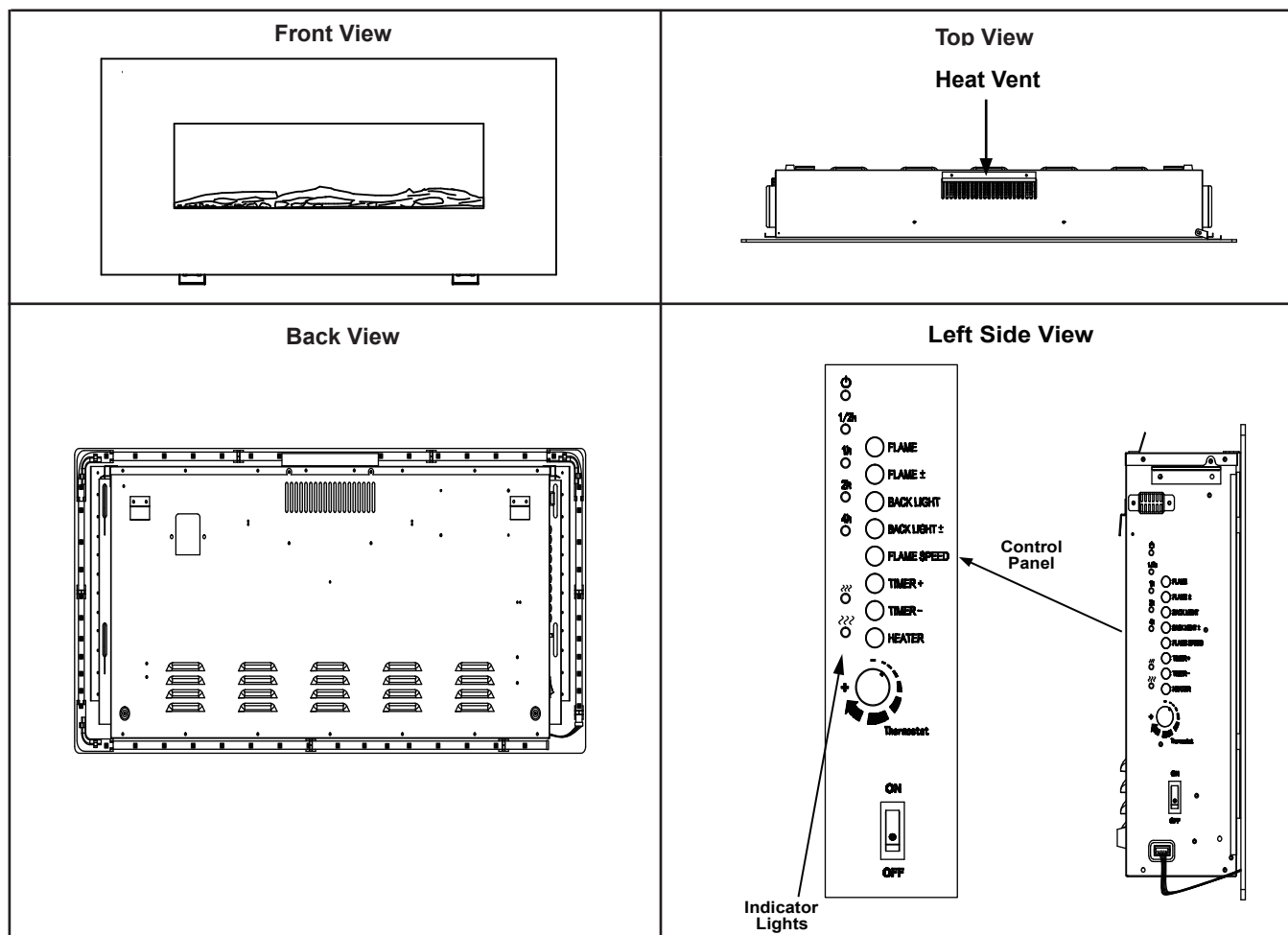
This heater is equipped with a Temperature Limiting Control. Should the heater reach an unsafe temperature (239°F / 115°C), the heater will automatically turn OFF

TO RESET

Turn the ON/OFF switch on the CONTROL PANEL to OFF. Unplug the power cord from the outlet. **Wait 15 minutes.** Inspect the fireplace to make sure no vents are blocked, or clogged with dust or lint. If they are, use a vacuum to clean the vent areas. With the POWER switch in the OFF position, plug the power cord back into the outlet and turn the power switch on. If the heater switches off again, **UNPLUG THE HEATER RIGHT AWAY!** Have the outlets, wiring, and breaker box inspected by a professional. Make necessary repairs before using the heater again.

METHODS OF OPERATION

This electric fireplace can be operated by the CONTROL PANEL, located on the left side panel of the fireplace (see figure below), or by the battery-powered REMOTE CONTROL. Before operating, please review the **IMPORTANT SAFETY INFORMATION on Pages 2 and 3**, and follow all warnings.



CONTROL PANEL FUNCTIONS



NOTICE

When this heat function is used for the first time, a slight odor may be present. This is normal and should not occur again unless the heater is not used for an extended period of time.

CONTROLS		FUNCTION
	Flame Button	Press once to turn flame ON. Press again to turn flame OFF.
	Flame +/-	Press Flame (+/-) Button to desired flame brightness. 3 options. ONLY works when flame button is ON.
	Back Light	Press Back Light Button to desired back light color. 10 different color options.
	Back Light +/-	Press Back Light (+/-) Button to desired back light brightness. 3 options. ONLY works when Back Light button is ON.
	Flame Speed	Press Flame Speed Button to desired flame speed. 5 options.
	Timer +/-	Press Timer (+) once to increase timer setting by ½ hour increments. Maximum timer setting is 7½ hours. Indicator light will illuminate. Press Timer (-) once to decrease timer setting by ½ hour increments.
	Heater	Press the Heat Button once, 750W (LOW HEAT) heater turns on and the fan starts to blow warm air. Press the Heat Button again, 1,500W (HIGH HEAT) heater turns on and blows hot air. Press the Heat Button again and heater turns OFF. The fan will continue to blow to allow heater to cool down, and then turns off.
	Thermostat Control	Heater must be ON either LOW or HIGH heat for the thermostat function to operate. The heat output is controlled by the Thermostat Control . Set the Thermostat Control to the maximum position initially. When the room reaches the desired temperature, reduce the setting by slowly turning the thermostat knob counterclockwise until the heater will click and turn off. The heater will then maintain the room temperature at the desired level.
	Main Power ON/OFF	Press ON. Power turns ON. All functions are enabled. Press OFF. Power, flame effect, and all functions turn off.
	Heat Enabling Switch	The Heat Enabling Switch located on the back of the heater must be ON for the heater to work.

REMOTE CONTROL FUNCTIONS



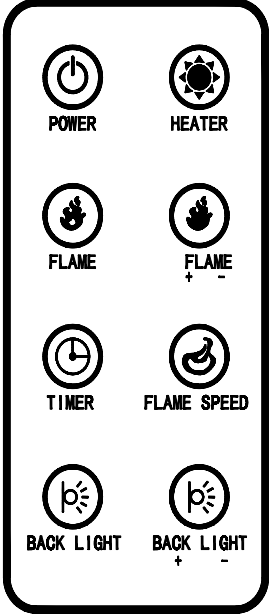








NOTICE

MAIN POWER ON THE FIREPLACE CONTROL PANEL MUST BE IN THE ON POSITION TO USE REMOTE CONTROL.



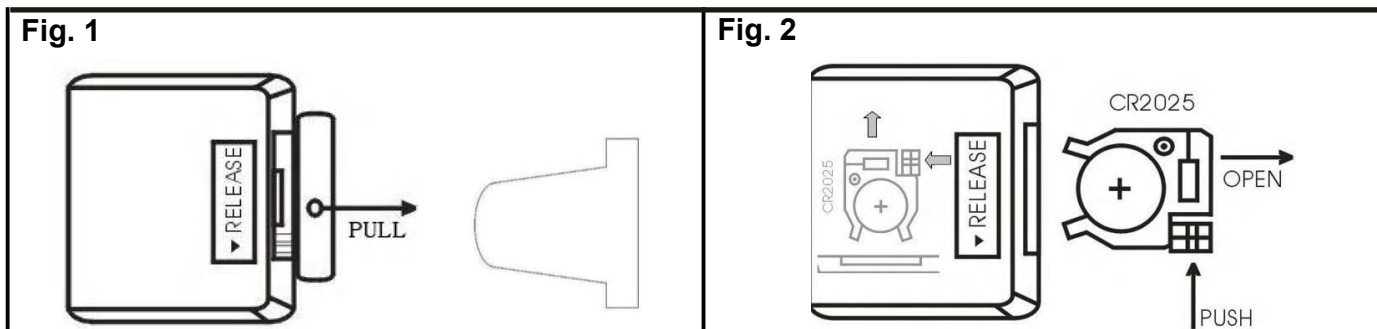
NOTICE

DO NOT press the buttons too quickly. Give the unit time to respond to each command.

REMOTE CONTROL BUTTONS	FUNCTION	
	 POWER	<p>Press once to turn the power ON. Press again to turn the power OFF. NOTE: Main power switch on the control panel must be ON for the remote to work.</p>
	 HEATER	<p>Press the Heat Button once, 750W (LOW HEAT) heater turns on and the fan starts to blow warm air. Press the Heat Button again, 1,500W (HIGH HEAT) heater blows hot air. Press the Heat Button again, heater turns OFF. The fan will continue to blow to allow heater to cool down, and then turns off.</p>
	 TIMER	<p>Press Timer to increase/decrease timer setting by $\frac{1}{2}$ hour increments. Maximum timer setting is $7\frac{1}{2}$ hours. Indicator light will illuminate.</p>
	 FLAME SPEED	<p>Press Flame Speed Button to desired flame speed. 5 options.</p>
	 BACK LIGHT	<p>Press Back Light Button to desired back light color. 10 different color options.</p>
	 BACK LIGHT + -	<p>Press Back Light (+/-) Button to desired back light brightness. 3 options. ONLY works when Back Light button in ON.</p>
	 FLAME	<p>Press once to turn the flame ON. This button must be ON for Flame (+/-) button to work. Press again to turn the flame OFF.</p>
	 FLAME + -	<p>Press Flame (+/-) Button to desired flame brightness. 3 options. ONLY works when flame button is ON.</p>

REMOTE CONTROL BATTERY INFORMATION

- **Fig. 1:** Remove the plastic sheet from the end of the remote control to allow the battery to touch the electrical contacts. **If the sheet is not removed, the remote control will not work.**
- **Fig. 2:** To install or replace the battery, press the button to allow the battery case to slide out. Position the battery according the drawing, and slide the case back in to the remote



CARE AND MAINTENANCE



ALWAYS turn the heater **OFF** and **unplug the power cord from the outlet** before cleaning, performing maintenance, or moving this fireplace. Failure to do so could result in **electric shock, fire, or personal injury.**

Cleaning



NEVER immerse in water or spray with water. Doing so could result in **electric shock, fire, or personal injury.**

Metal:

- Buff using a soft cloth, slightly dampened with a citrus oil-based product.
- **DO NOT** use brass polish or household cleaners as these products will damage the metal trim.

Glass:

- Use a good quality glass cleaner and dry thoroughly with a paper towel or lint-free cloth.
- **NEVER** use abrasive cleansers, liquid sprays, or any cleaner that could scratch the surface.

Vents:

- Use a vacuum or duster to remove dust and dirt from the heater and vent areas.
- Clean the exterior of the fireplace with a slightly damp cloth or duster.

Maintenance



Risk of electric shock! DO NOT OPEN! No user-serviceable parts inside!



ALWAYS turn the heater **OFF** and **unplug the power cord from the outlet** before cleaning, performing maintenance, or moving this fireplace. Failure to do so could result in **electric shock, fire, or personal injury.**

Electrical and Moving Parts:

- The fan motors are lubricated at the factory and will not require lubrication for the life of the product.
- Electrical components are integrated in the fireplace and are not serviceable by the consumer.

Storage:

- Store heater in a clean dry place when not in use.



WARNING! No servicing should be performed by the consumer. **DO NOT** repair or service the unit yourself. For service, **call a certified electrician.**

TROUBLESHOOTING GUIDE

PROBLEM	SOLUTION
There is no power to the unit.	<ol style="list-style-type: none"> 1. Make sure the power cord is plugged into a working 120V AC electrical outlet. 2. Check for a tripped circuit breaker, or a blown fuse. 3. If the unit had been working, but then turned off by itself, the temperature limiting control must be reset. Please see instructions on Page 8 .
The control panel doesn't work.	Make sure the ON/OFF switch on the control panel is turned on.
The flame effect does not work.	Make sure the ON/OFF switch on the control panel is turned on.
The flame effect does not turn off when I press the flame button.	The flame effect stays on until the ON/OFF switch is turned off.
The heater does not work.	<ol style="list-style-type: none"> 1. Ensure the ON/OFF switch is in the ON position for the heater to operate. 2. Make sure the thermostat control is not turned down too low. If the thermostat is set lower than the room temperature the heater will not turn on.
Hot air does not blow when the heater is first turned on.	The fans blow cool air before the heating elements turn on, and after they turn off, to prevent overheating. This is normal.
The remote control does not work.	<ol style="list-style-type: none"> 1. Make sure the battery is properly installed, and the plastic tab is removed. 2. Make sure the ON/OFF switch on the control panel is turned on. The remote control will not work unless the ON/OFF switch on the control panel is turned on. 3. Don't press the remote control buttons too quickly. Give the unit time to respond to your commands.
The power cord, or the outlet faceplate, is hot.	Turn the heater off immediately. Wait for the cord to cool and unplug the heater. See the warnings on Page 3 for possible causes. Call an electrician to examine your home's wiring.
The thermostat (TEMP button) does not work.	<ol style="list-style-type: none"> 1. Make sure the heater is turned on. The thermostat will not work unless the heater is turned on. 2. Make sure the thermostat is not set too low. If the thermostat is set lower than room temperature, the heater will turn off. 3. If the thermostat was overridden by the heater button, press the temp button to restart the thermostat.

CSA RATING LABEL & POWER CORD LABEL

CSA Rating Label

ELECTRIC FIREPLACE HEATER

MODEL EFW-TJ42A
 VOLTAGE 120V AC
 FREQUENCY 60 Hz
 AMPERAGE 12.5 A
 WATTS 1500 W



LINHAI TAIJI CRAFTS CO., LTD

MADE IN CHINA



AVOID THE RISK OF FIRE! DO NOT COVER THIS FIREPLACE HEATER OR BLOCK THE AIR VENTS!



AVOID INJURY! THE HEATER IS HOT WHEN IN USE. DO NOT TOUCH HOT SURFACES!

Power Cord Warning Label



WARNING! TO REDUCE RISK OF FIRE:



1. Keep electric cords, furniture, paper, clothes, drapes, and other combustibles **at least 3 ft. (0.9m) away from the front of the heater**, and away from the sides, bottom, and rear when the heater is plugged in.
2. **DO NOT** place the heater near a bed because objects such as pillows or blankets can fall off the bed and be ignited by the heater.
3. **ALWAYS** unplug the heater when not in use.
4. **AVOID** the use of an extension cord. It may overheat and cause a risk of fire or electric shock. If an extension cord is needed, the **gauge of the cord must be at least 14AWG**, and the **rating must be at least 1875 Watts**. **NEVER** use a **smaller gauge cord with a lower rating**.
5. **NEVER** operate this heater if the **power cord or plug has become damaged**, if the **grounding pin is damaged or missing**, or if the **heater malfunctions, has been dropped, or is damaged**.
6. **DO NOT** run this cord under carpeting, furniture, or appliances. **DO NOT** cover the cord with throw rugs, runners, or other coverings. Keep the cord from crossing traffic areas to avoid tripping.
7. **ALWAYS** check your heater cord and plug connections with each use!
 - i) **MAKE SURE** the plug fits tight in the outlet! Faulty wall outlet connections or loose plugs can cause the outlet to overheat.
 - ii) Heaters draw more current than small appliances. Overheating may occur even if it has not occurred with the use of other appliances.
 - iii) During use check frequently to see if the plug outlet or faceplate is **HOT!**
 - iv) If the outlet or faceplate is **HOT**, **discontinue use immediately** and have a qualified electrician inspect and/or replace the faulty outlets.

DO NOT REMOVE THIS TAG!

FAQ - FREQUENTLY ASKED QUESTIONS

Question	Answer
What is the best way to contact Customer Service?	You can email us anytime at fsesales@taijicrafts.com .
Can I leave the heater running overnight?	No. This heater is not intended to be a primary heat source. It is designed to provide supplemental heat, and should not be left running continuously for more than eight hours.
Is the fireplace safe to use on carpet?	Yes. However, please note the warnings on Pages 2 and 3 about the safe placement of the heater. The vents must NEVER be blocked, and must always be kept clear.
How much does it cost each month to run the heater?	Example: 1500 Watts equals 1.5 Kilowatt Hours (KWH). Contact your utility to find out the cost per KWH. Then, use this formula: 1.5 x (\$0.00/KWH) = \$0.00 per hour. For example: If the utility charges \$0.20 per KWH, then the cost is 1.5 x \$0.20 = \$0.30 per hour. If you run the heater 5 hours per day, the cost will be 5 x \$0.30 = \$1.50/day. 30 days x \$1.50 = \$45.00/month.
Should the motor be loud when the heater is running?	No. The flame effect motors and heater blowers are not silent, but they should not be loud.
Can I get replacement parts for my electric heater?	Some parts can be replaced. Please contact our Customer Service representative to check availability.