

ASSEMBLY INSTRUCTIONS

Item No : W1596102409

Description : NIGHTSTAND

Thank you for purchasing this quality product. Be sure to check all packing material carefully for small part that may have come loose inside the carton during shipment .



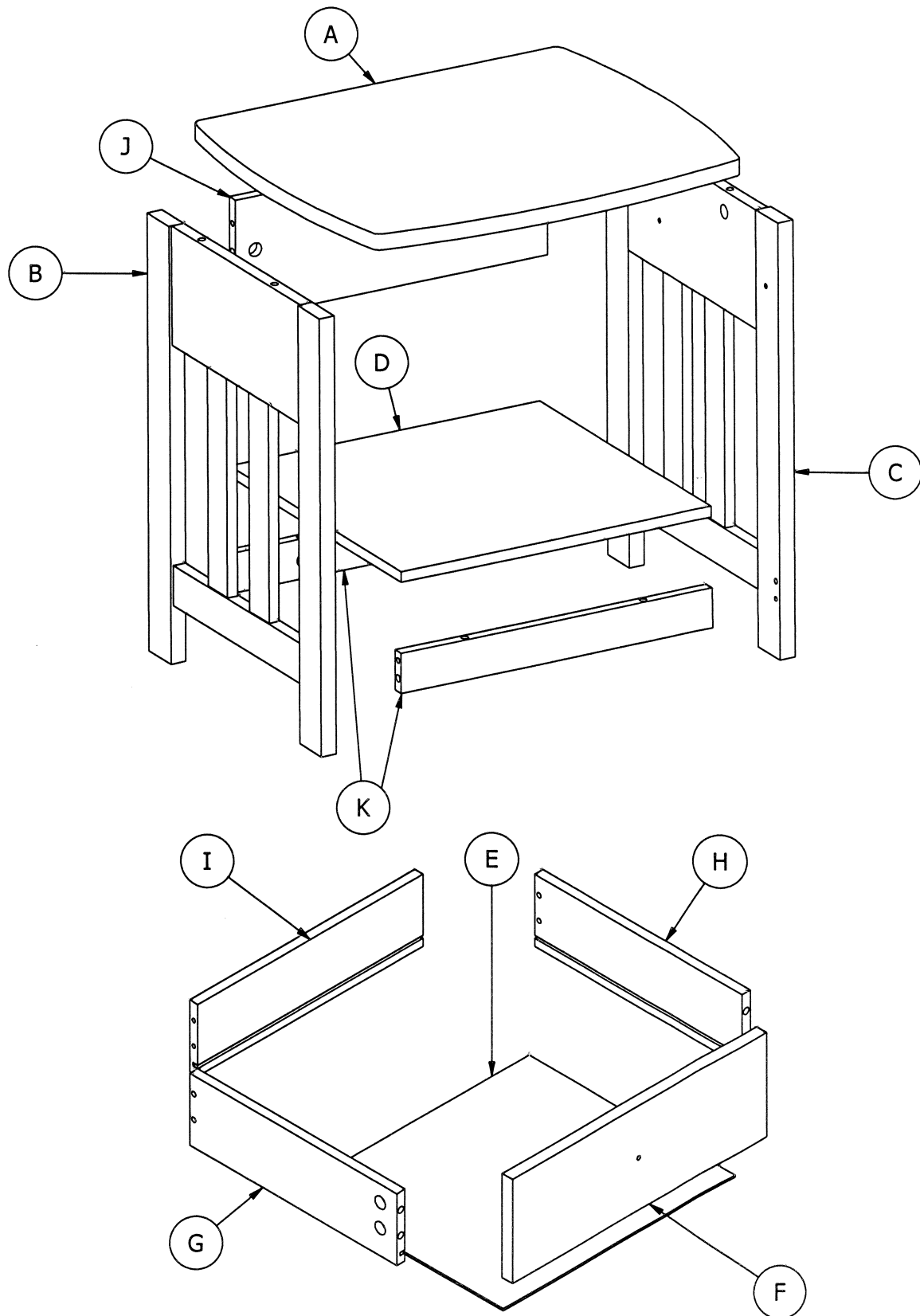
**W1596102409**

ASSEMBLY INSTRUCTIONS

Item No : W1596102409

Description : NIGHTSTAND

Thank you for purchasing this quality product. Be sure to check all packing material carefully for small part that may have come loose inside the carton during shipment .



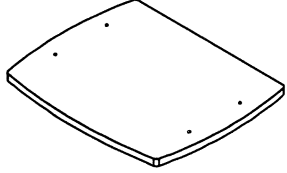
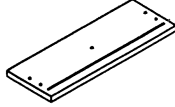
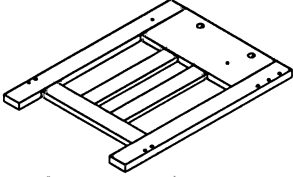
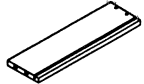
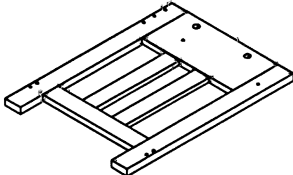
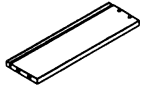
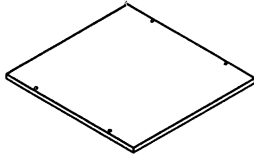
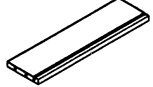
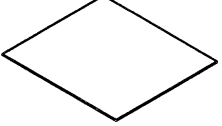
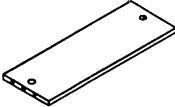
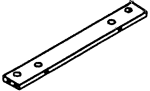
## ASSEMBLY INSTRUCTIONS

Item No : W1596102409

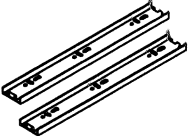






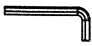
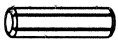
Description : NIGHTSTAND

Thank you for purchasing this quality product . Be sure to check all packing material carefully for small part that may have come loose inside the carton during shipment .

### PART LIST:

No.	Description	Sketch	Quantity	No.	Description	Sketch	Quantity
A	Table Top		1 Pc	F	Drawer Front Panel		1 Pc
B	Cabinet Left Panel		1 Pc	G	Drawer Left Panel		1 Pc
C	Cabinet Right Panel		1 Pc	H	Drawer Right Panel		1 Pc
D	Cabinet Shelf Panel		1 Pc	I	Drawer Back Panel		1 Pc
E	Drawer Bottom Board		1 Pc	J	Cabinet Back Cover		1 Pc
				K	Drawer Bottom Bone		2 Pcs

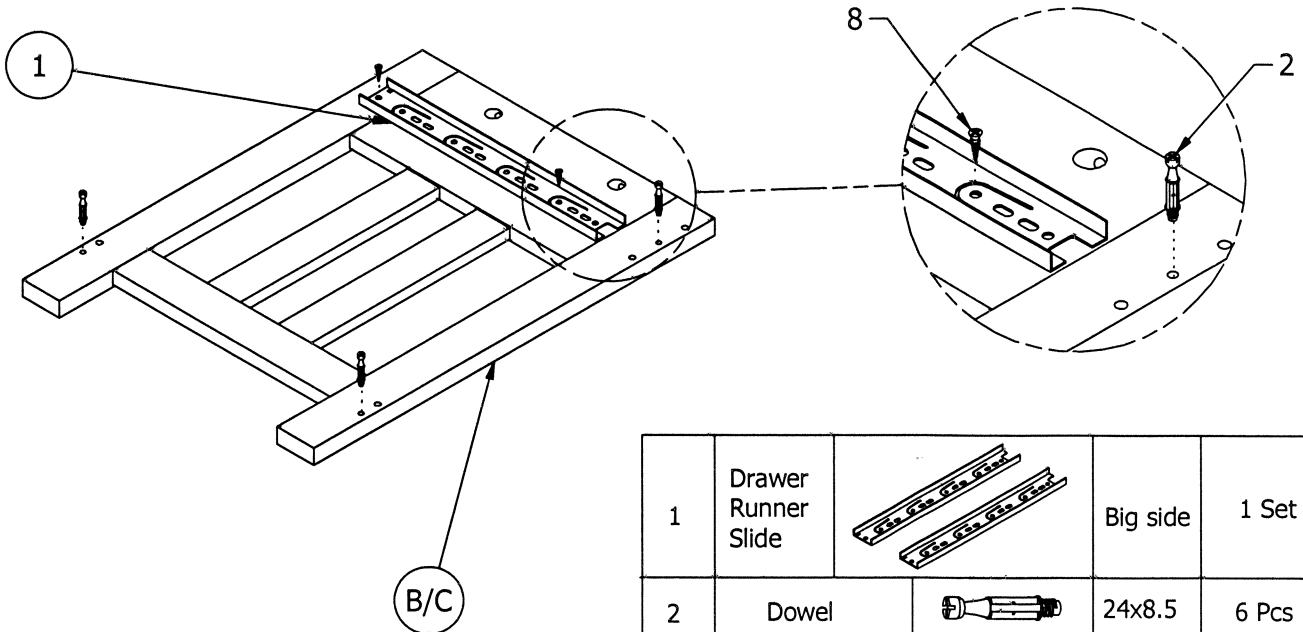
### HARDWARE LIST

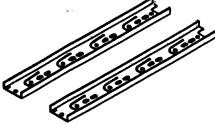


No.	Description	Sketch	Size	Quantity	No.	Description	Sketch	Size	Quantity
1	Drawer Runner Slide		Standard	1 Set	6	Wooden Handle			1 Pc
2	Dowel		24x8.5	18 Pcs	7	Handle Screw		M4x22	1 Pc
3	Ultra Shallow Cam		15x9.5	18 Pcs	8	Chipboard Screw		M3.5x12	4 Pcs
4	CSK Cap Wood Screw		M6x40	4 Pcs	9	Allen Key		M4	1 Pc
5	Wood Dowel		8x30	8 Pcs					

**ASSEMBLY INSTRUCTIONS**  
 Item No : W1596102409  
 Description : NIGHTSTAND

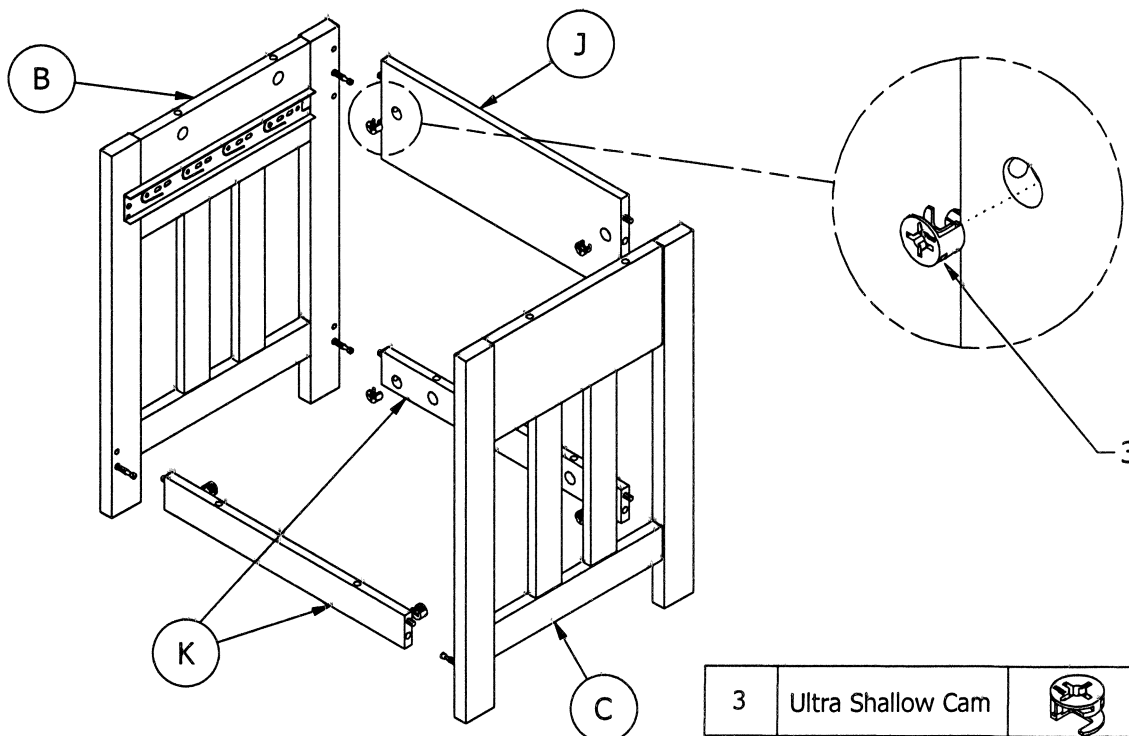
Thank you for purchasing this quality product. Be sure to check all packing material carefully for small part that may have come loose inside the carton during shipment .

Step 1: Prepare the Cabinet L/R Panel (B & C) then assemble the Drawer Runner Slide (1) on the pre-drilled holes with Chipboardboard Screw (8). Then insert the Dowel (2) on each four side of the cabinet like image shown.



1	Drawer Runner Slide		Big side	1 Set
2	Dowel		24x8.5	6 Pcs
8	Chipboard Screw		M3.5x12	4 Pcs

Step 2: Push-insert the Drawer Bottom Bone (K) to the Cabinet side panel into its inserted dowel in previous step, next follow with Cabinet Back Cover (J). All these tighten with Ultra Shallow Cam (3) to ready the cabinet structure as picture shown. ▽



3	Ultra Shallow Cam		15x9.5	6 Pcs
---	-------------------	---	--------	-------

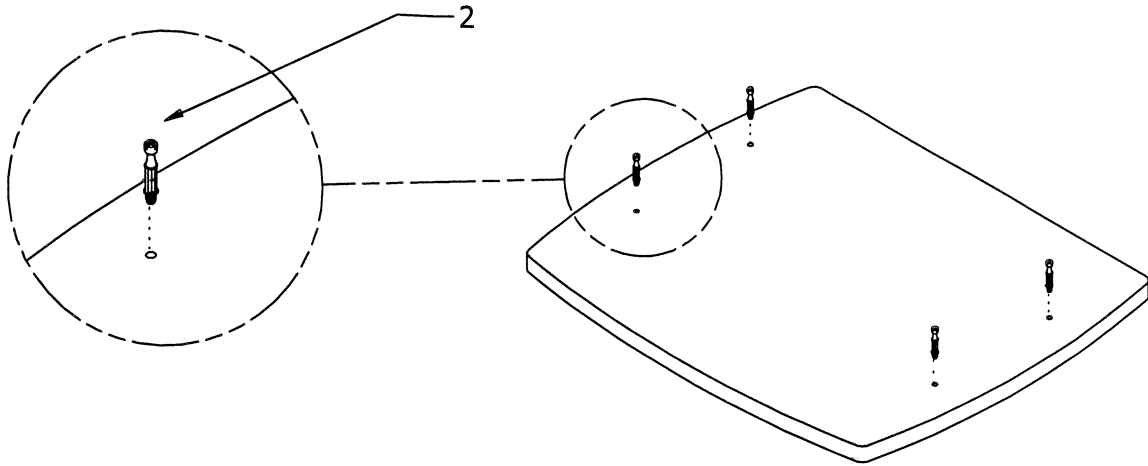
# ASSEMBLY INSTRUCTIONS

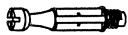
Item No : W1596102409

Description : NIGHTSTAND

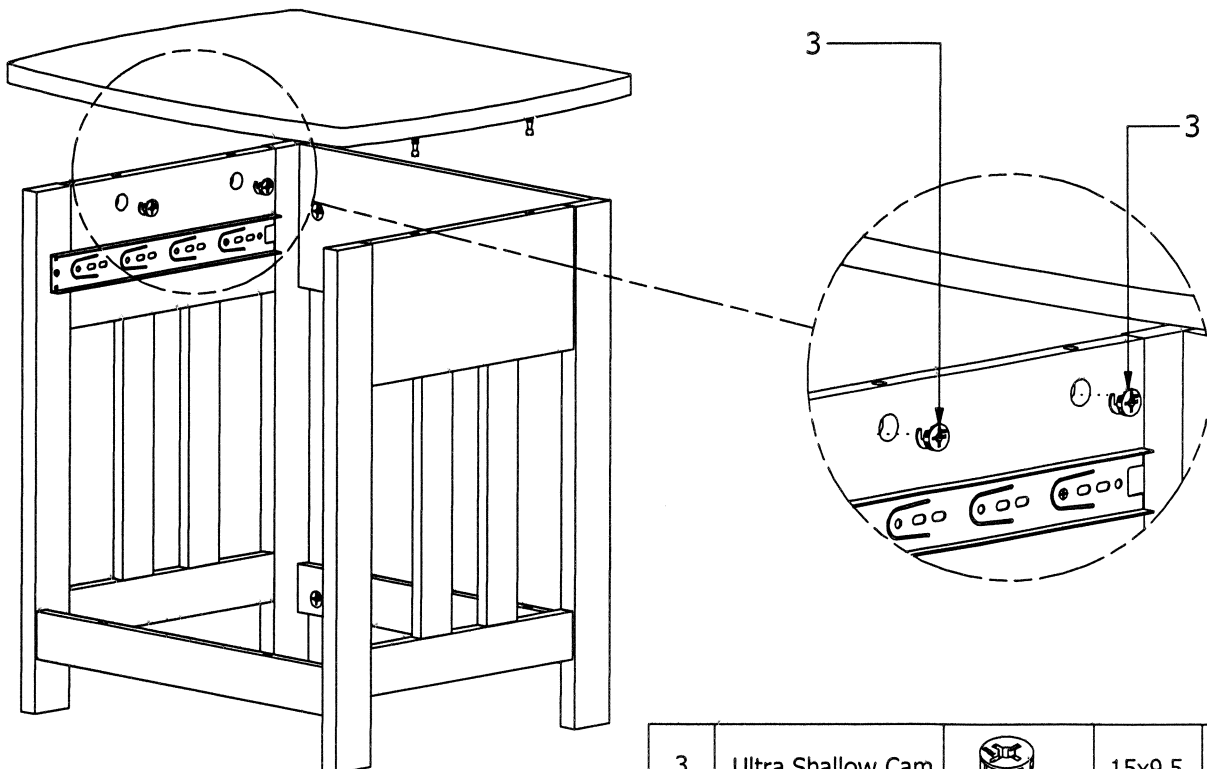
Thank you for purchasing this quality product . Be sure to check all packing material carefully for small part that may have come loose inside the carton during shipment .

Step 3: Insert the Dowel (2) onto the pre-drilled holes on the bottom part of Table Top (A).



2	Dowel		24x8.5	4 Pcs
---	-------	---	--------	-------

Step 4: Ready the cabinet structure and flip the Table Top (A) to cover on top of the cabinet. Then tighten the attachment with Ultra Shallow Cam (3) with Dowel installed in previous step 3. You would need to ready a screwdriver to perform this step.



3	Ultra Shallow Cam		15x9.5	4 Pcs
---	-------------------	---	--------	-------

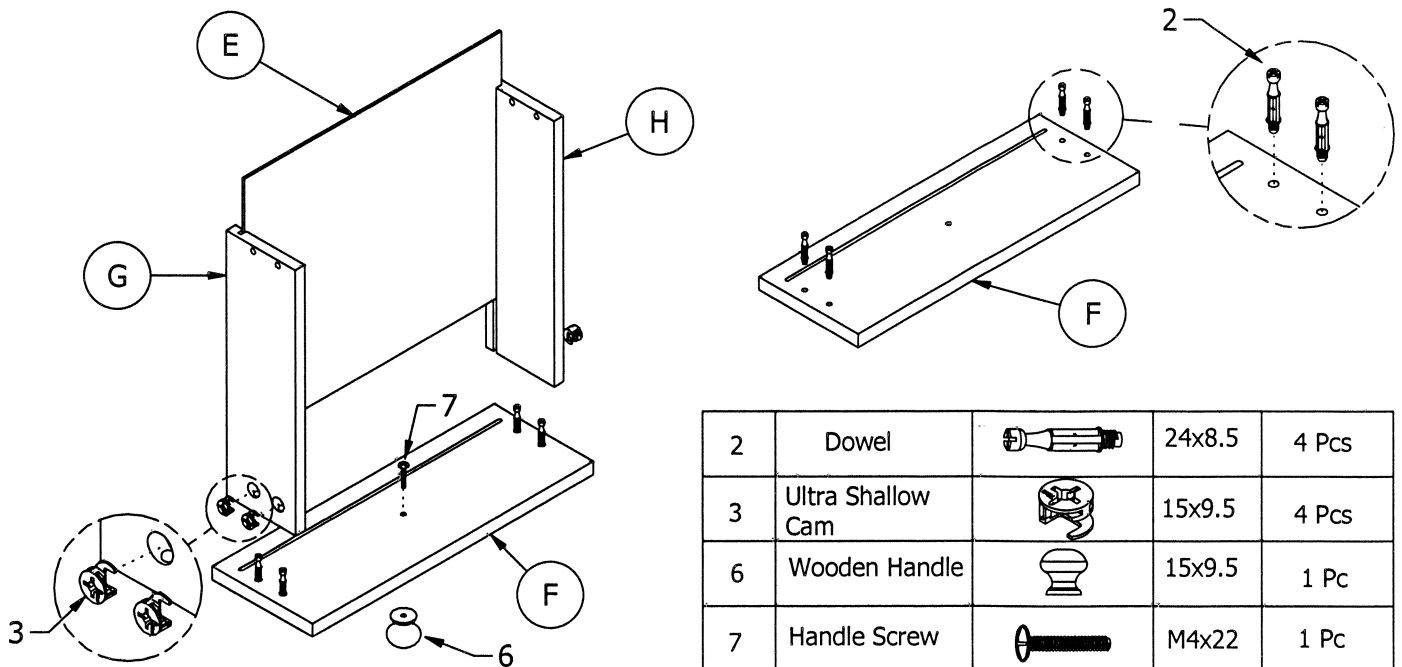
## ASSEMBLY INSTRUCTIONS

Item No : W1596102409

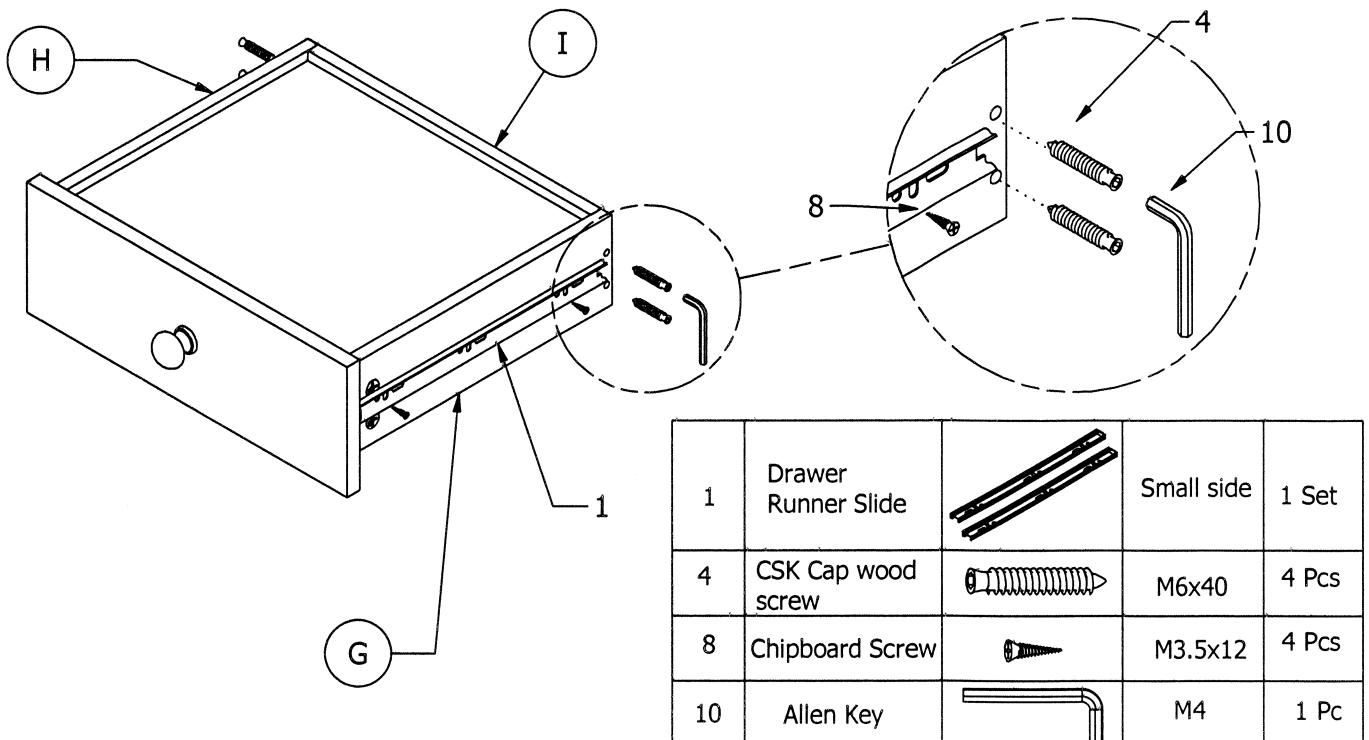
Description : NIGHTSTAND

Thank you for purchasing this quality product . Be sure to check all packing material carefully for small part that may have come loose inside the carton during shipment .

Step 5: Lay the Drawer Front Panel (F) on even-layered flat surface, put in the Dowel (2) on each side and take the Drawer Panel (H & G) attach into the Pre-drilled holes of the Front Panel, tighten the part with Ultra Shallow Cam (3). Next, slide in the Drawer Bottom Board (E) finish up with screwing the Wooden Handle (6) together with Screw Handle (7).



Step 6: Setting up the Drawer with its Drawer Back Panel (I) with CSK Cap Wood Screw (4) with the help of Allen Key (10). Assemble the Drawer Runner Slide (1) to the Drawer Panel (H & I) by using Chipboard Screw (8).



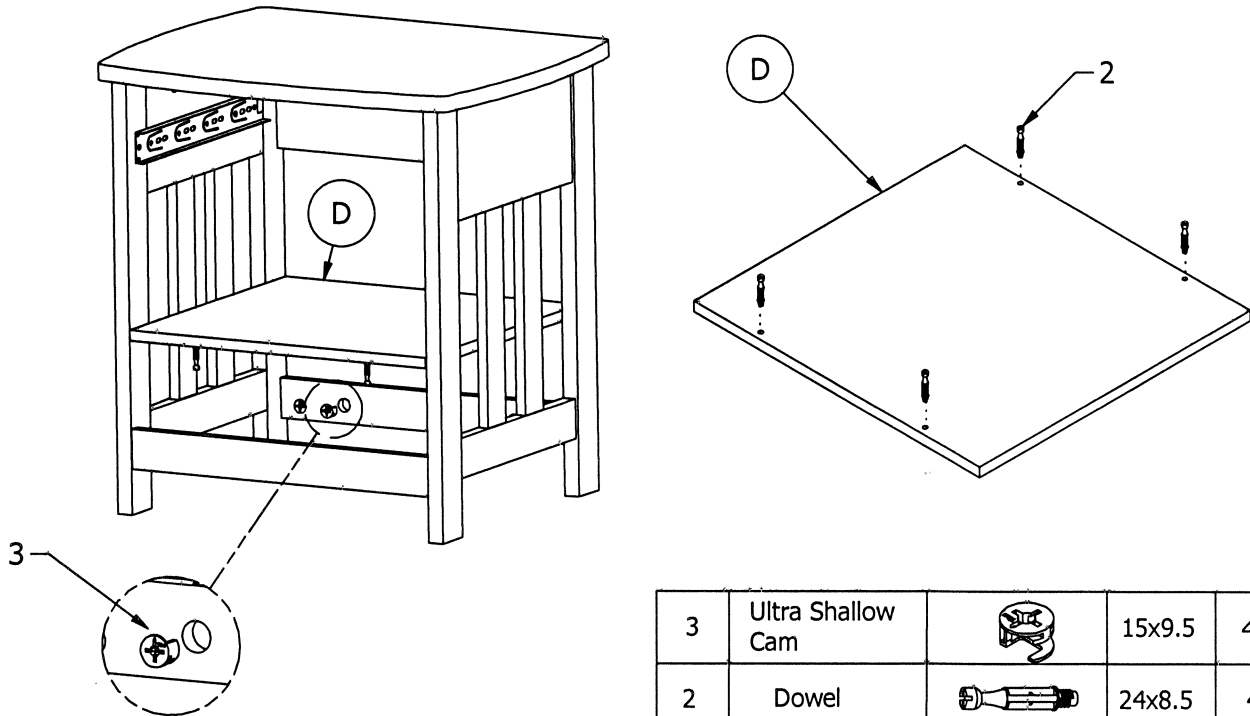
# ASSEMBLY INSTRUCTIONS

Item No : W1596102409

Description : NIGHTSTAND

Thank you for purchasing this quality product . Be sure to check all packing material carefully for small part that may have come loose inside the carton during shipment .

Step 7: Pre-insert the Dowel (2) on the screw holes of the Cabinet Shelf Panel (D) and flip to lay on the lower's structure bone. Next, tighten the connections by using Ultra Shallow Cam (3).



Finally, glide in the drawer and make sure the runner is slide into the runner track (not sitting on top of the runner track). The nightstand is done Assembled.

