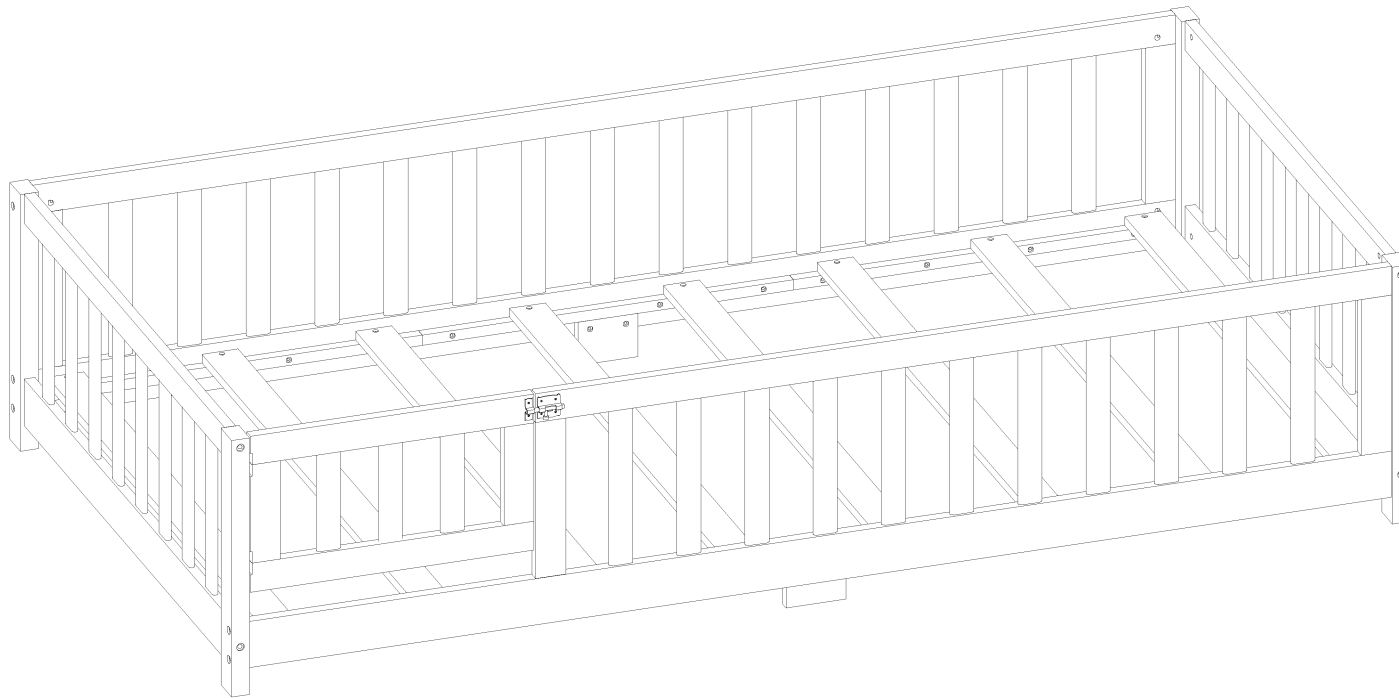


ASSEMBLY INSTRUCTION

PAGE: 1 OF 10



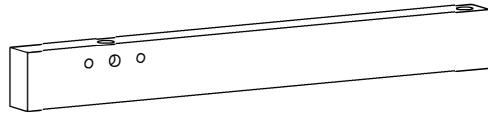
IMPORTANT NOTE

1. PLACE ALL PARTS ON A CLEAN AND SMOOTH SURFACE SUCH AS A RUG OR CARPET TO AVOID THE PARTS FROM BEING SCRATCHED
2. BEFORE YOU BEGIN, KINDLY FOLLOW THE ASSEMBLY INSTRUCTIONS STEP BY STEP
3. DO NOT TIGHTEN ALL SCREWS AND BOLTS UNTIL THE BED IS FULLY SET-UP

ASSEMBLY INSTRUCTION

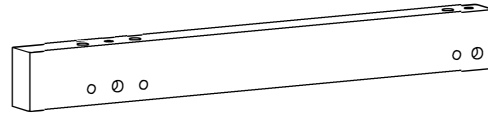
PART LIST

A1



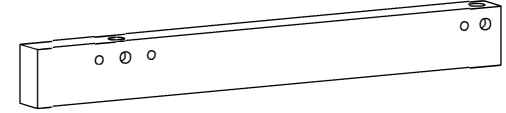
FRONT LEG LEFT (1PC)

A2



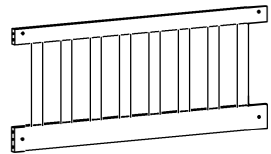
BACK LEG (2PCS)

A3



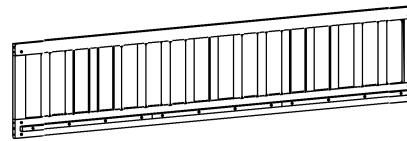
BACK LEG RIGHT (1PCS)

B



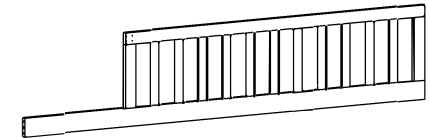
FOOT FRAME (2PCS)

C



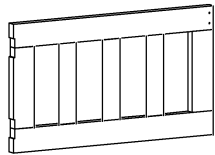
BACK FRAME (1PC)

D



FRONT FRAME (1PC)

E



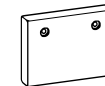
DOOR (1PC)

F



SLATS (8PCS)

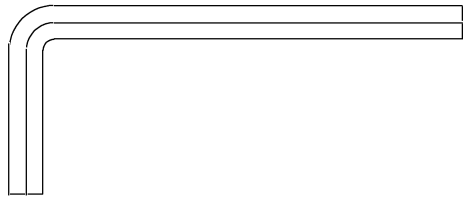
G



SUPPORT FRAME (2PCS)

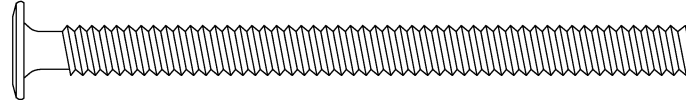
HARDWARE LIST

1



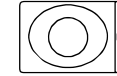
ALLEN KEY (1PC)
K4 x 60 mm

2



HEX HEAD BOLT (8PCS)
1/4 x 90 mm

3



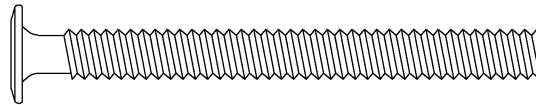
BARREL NUT (19PCS)
1/4 x Ø10 x 13 mm

4



WOOD DOWEL (19PCS)
Ø10 x 30 mm

5



HEX HEAD BOLT (11PCS)
1/4 x 70 mm

6



WOOD SCREW (20PCS)
Ø4 x 25 mm

7



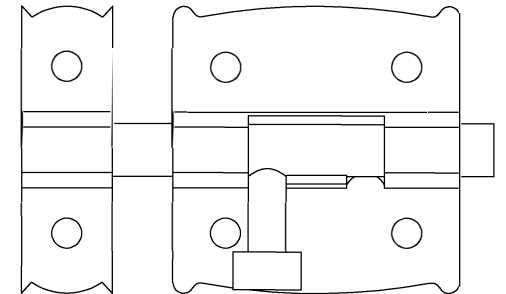
WOOD SCREW (6PCS)
Ø3.5 x 12 mm

8



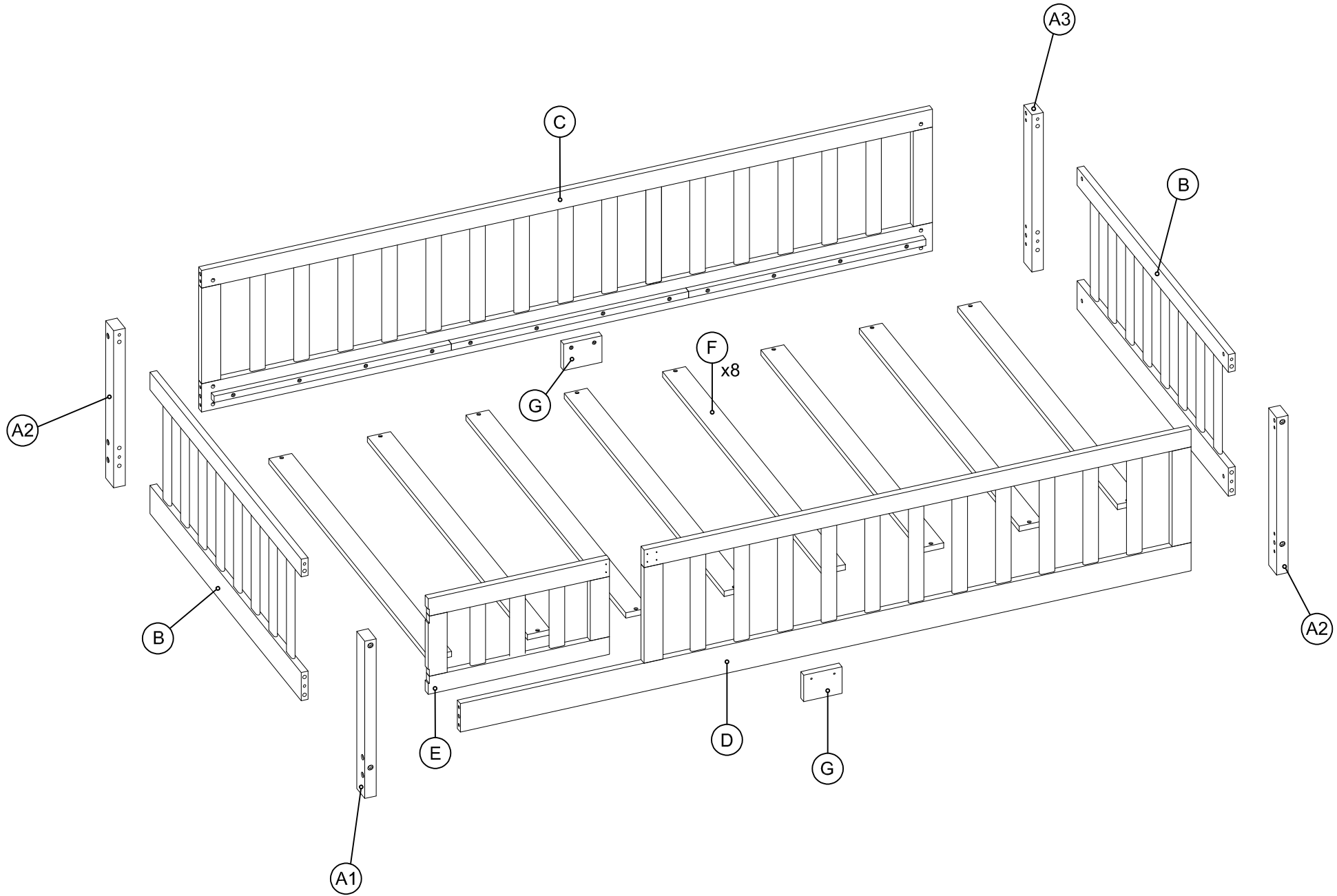
WOOD SCREW (4PCS)
Ø3.5 x 15 mm

9

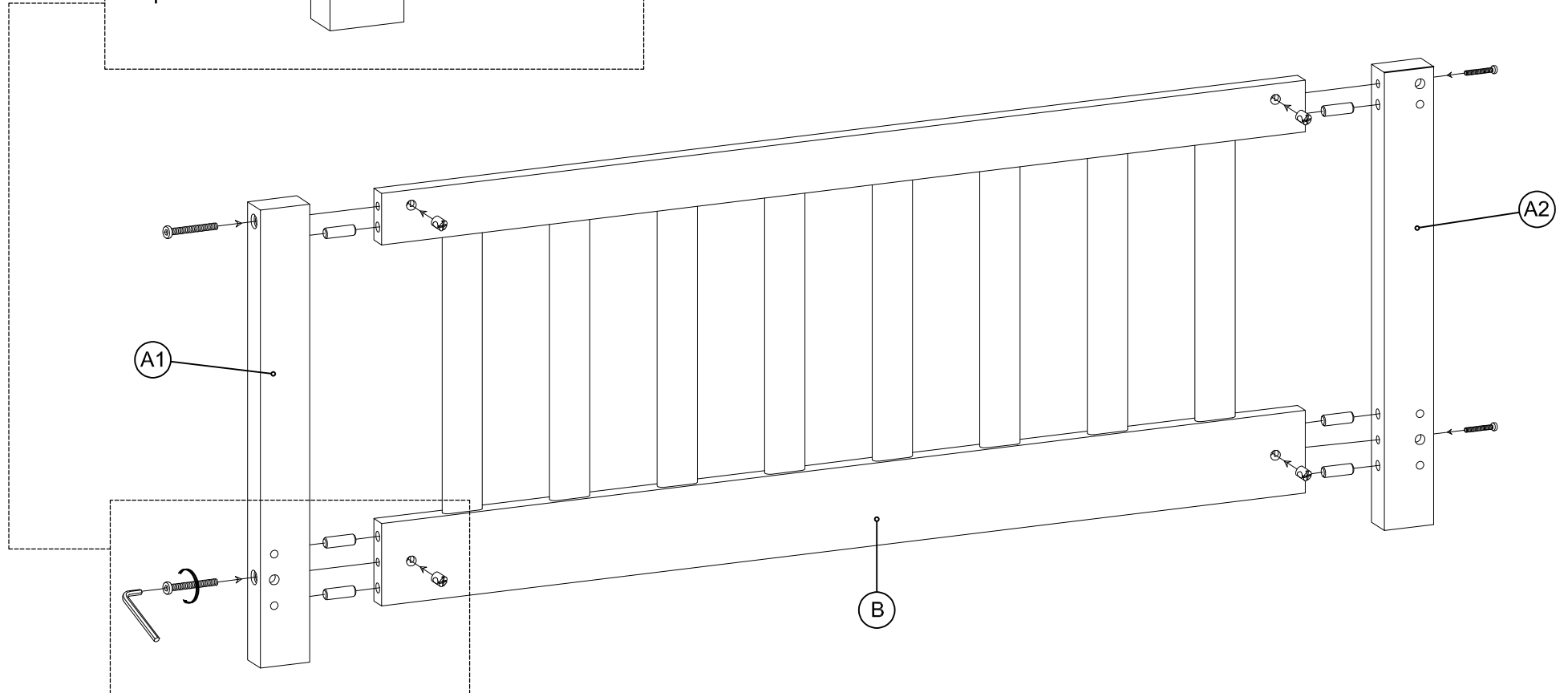
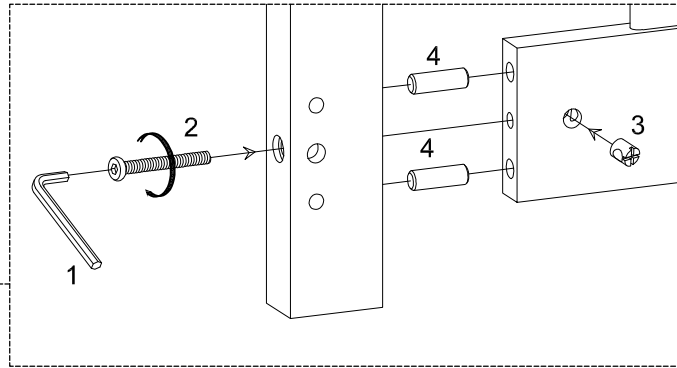



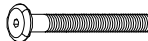

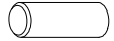
LATCH (1PC)
20 x 38 x 38 mm

ASSEMBLY INSTRUCTION

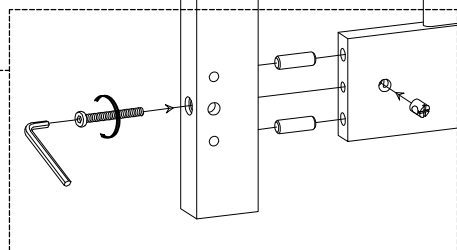
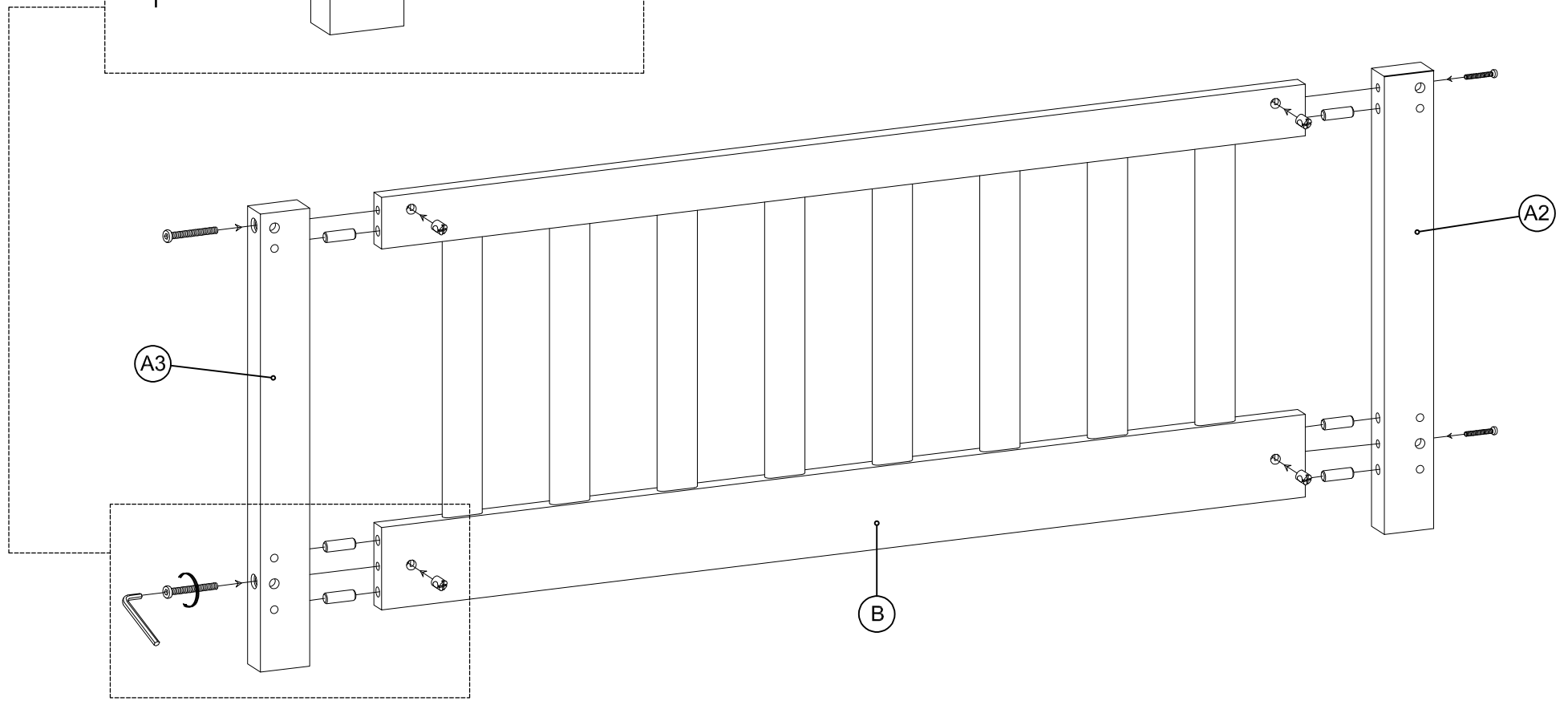
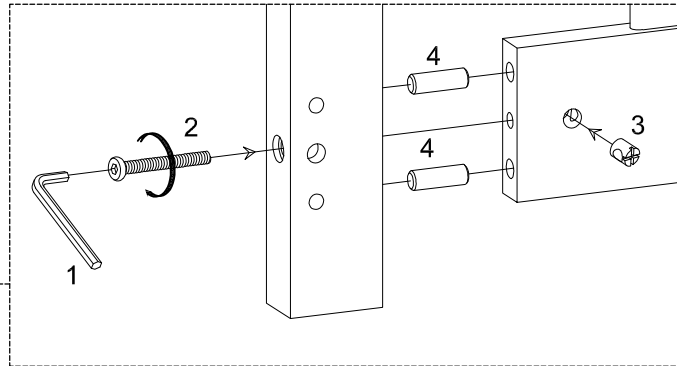



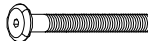

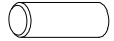
STEP 1



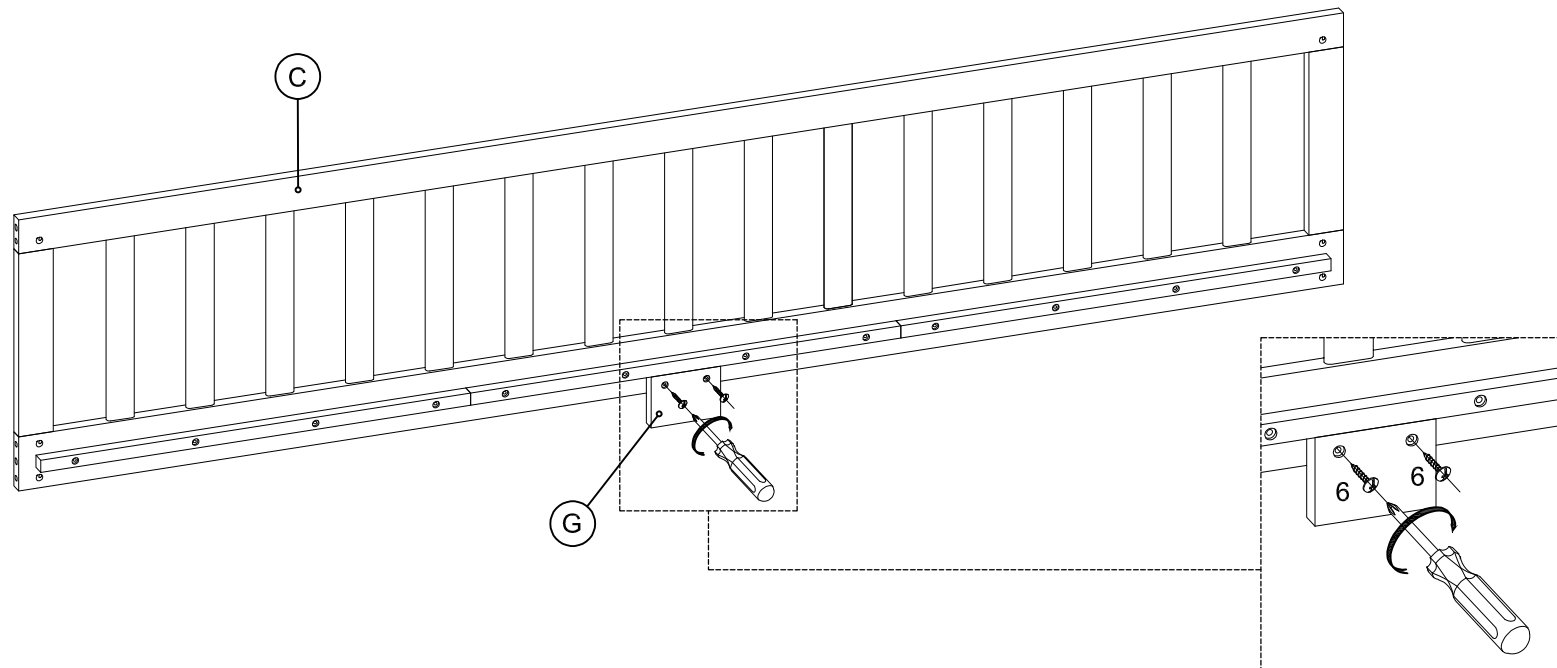
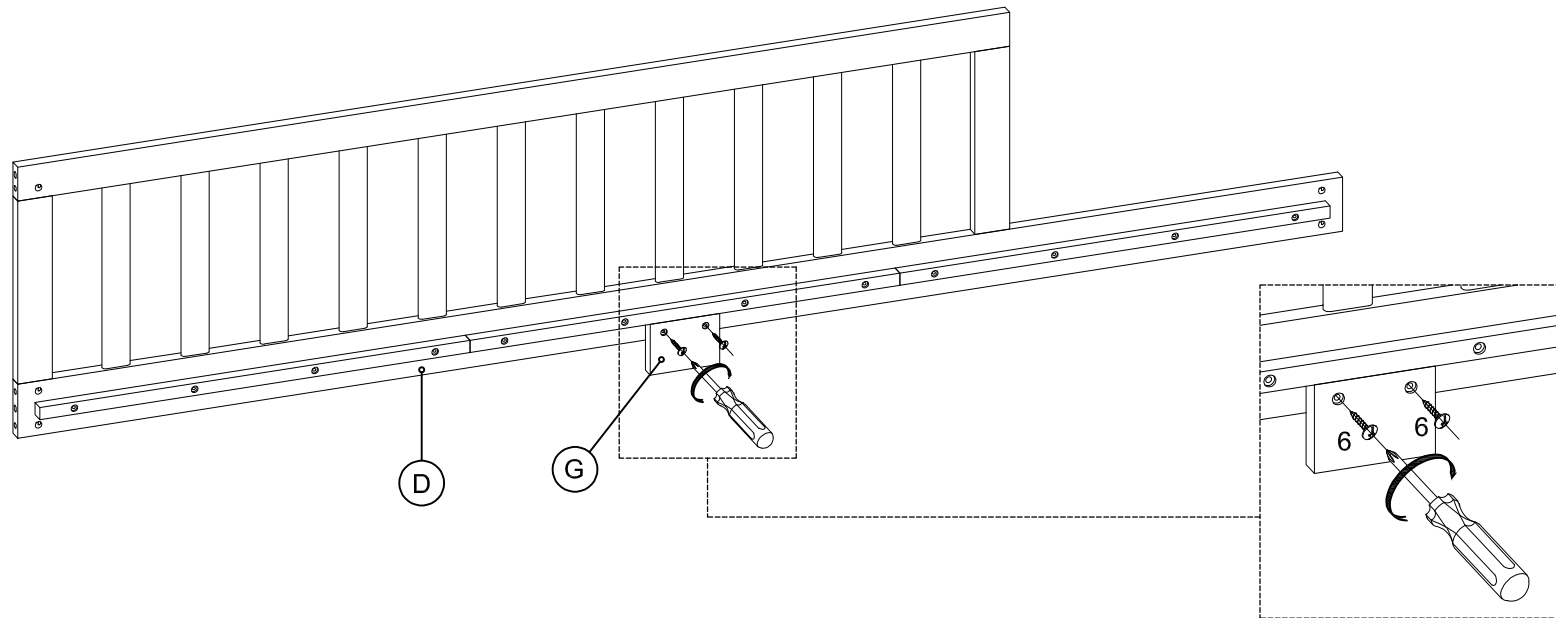
<p>1</p>  <p>ALLEN KEY (1PC) K4 x 60 mm</p>	<p>2</p>  <p>HEX HEAD BOLT (4PCS) 1/4 x 90 mm</p>	<p>3</p>  <p>BARREL NUT (4PCS) 1/4 x Ø10 x 13 mm</p>	<p>4</p>  <p>WOOD DOWEL (6PCS) Ø10 x 30 mm</p>
---	--	---	---

STEP 2

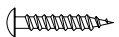


1	 ALLEN KEY (1PC) K4 x 60 mm	2	 HEX HEAD BOLT (4PCS) 1/4 x 90 mm	3	 BARREL NUT (4PCS) 1/4 x Ø10 x 13 mm	4	 WOOD DOWEL (6PCS) Ø10 x 30 mm
---	---	---	--	---	---	---	---

STEP 3



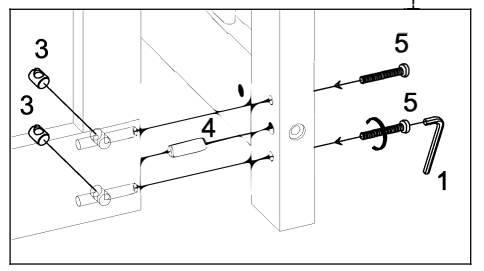
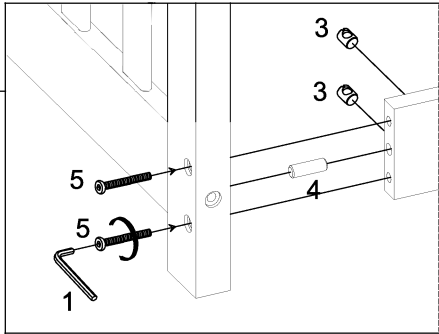
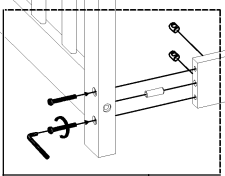
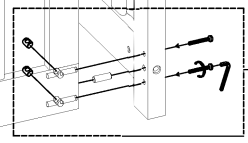
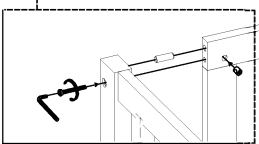
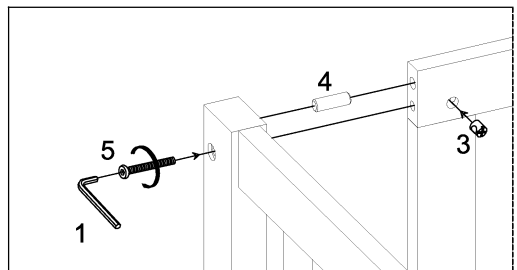
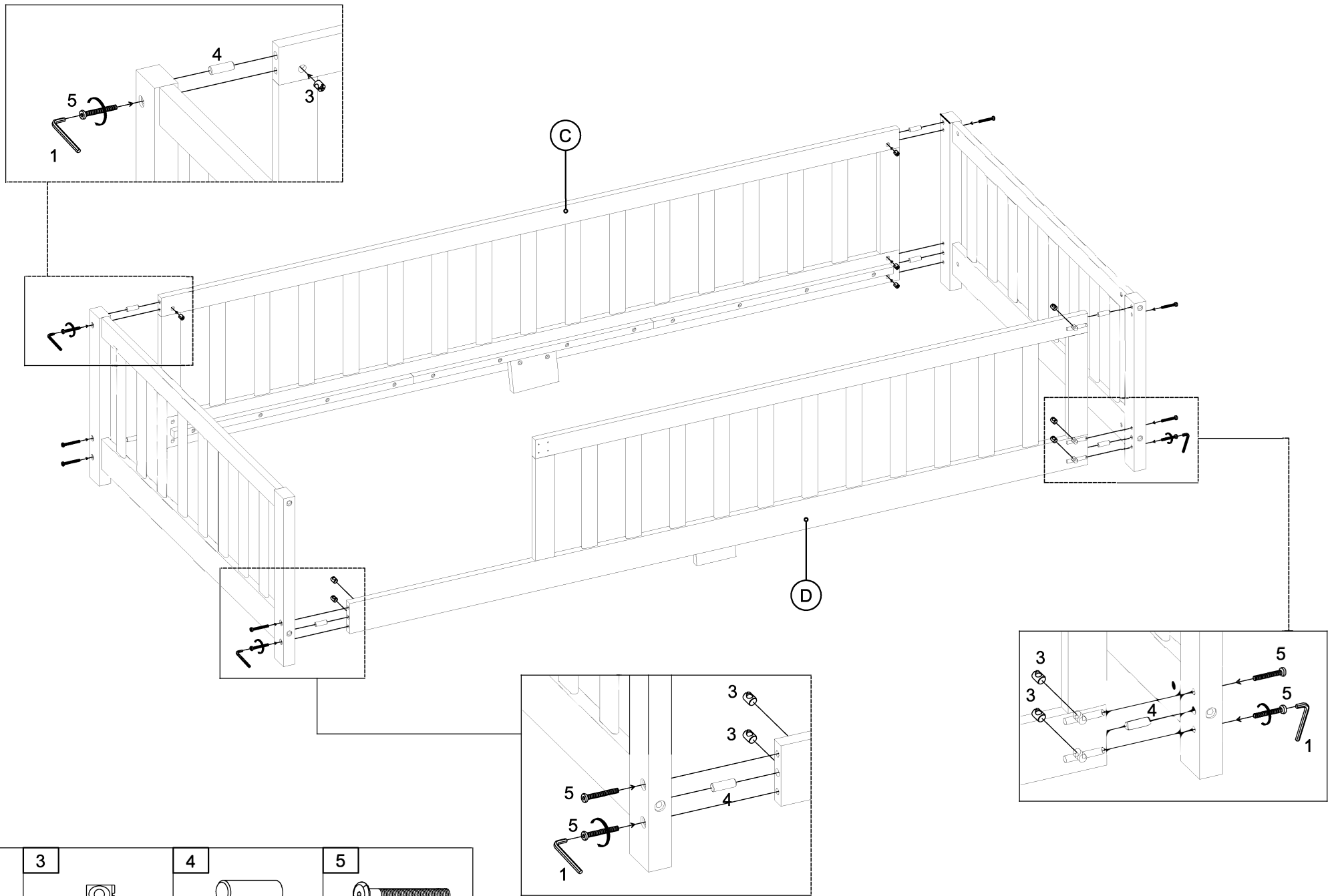
6



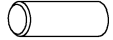



WOOD SCREW (4PCS)
Ø4 x 25 mm

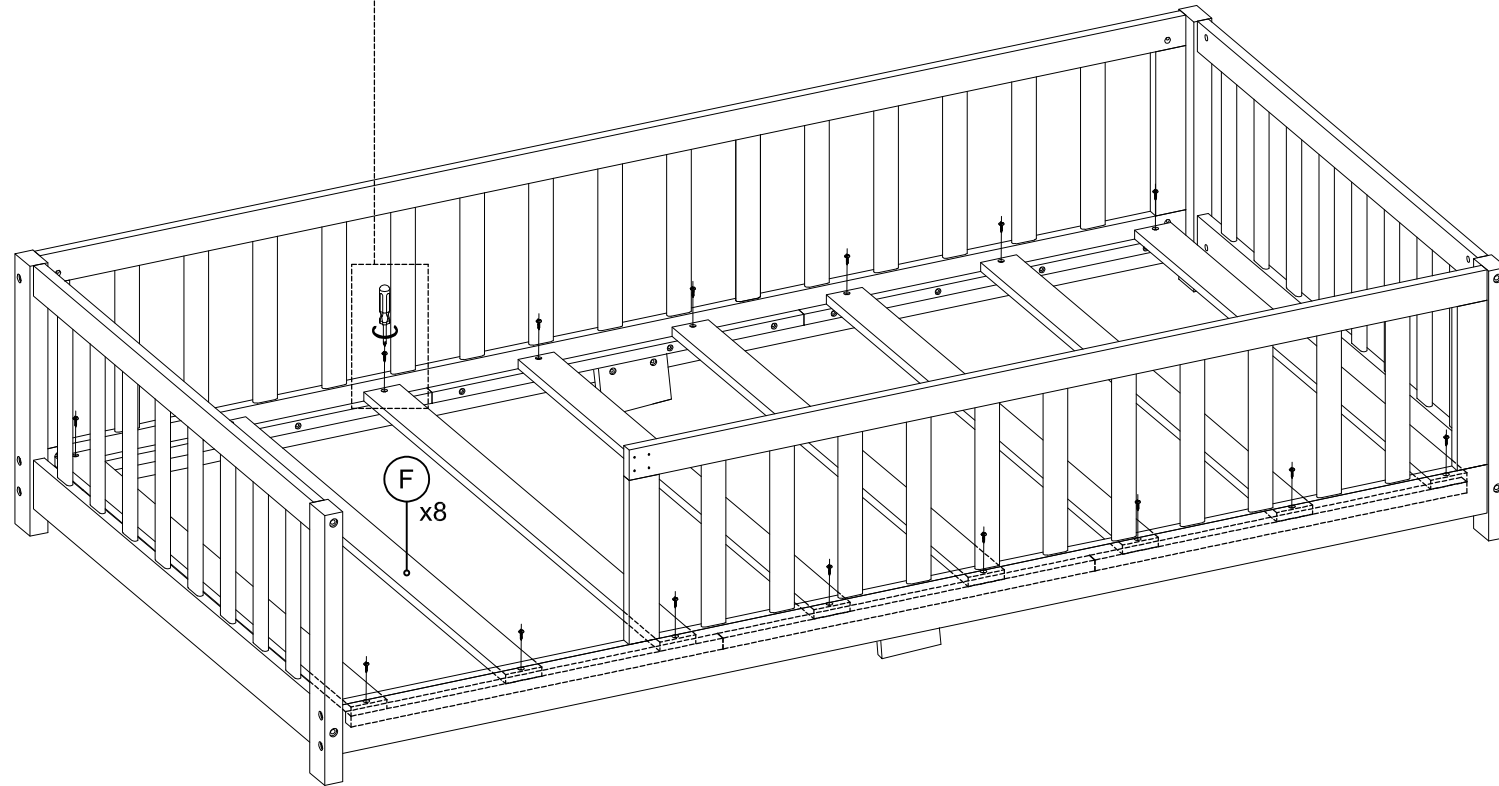
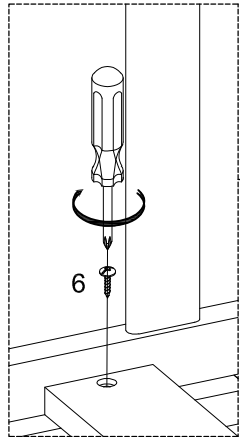
ASSEMBLY INSTRUCTION

STEP 4

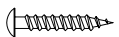


1	 ALLEN KEY (1PC) K4 x 60 mm	3	 BARREL NUT (11PCS) 1/4 x Ø10 x 13 mm	4	 WOOD DOWEL (6PCS) Ø10 x 30 mm	5	 HEX HEAD BOLT (11PCS) 1/4 x 70 mm
---	---	---	--	---	---	---	---

STEP 5

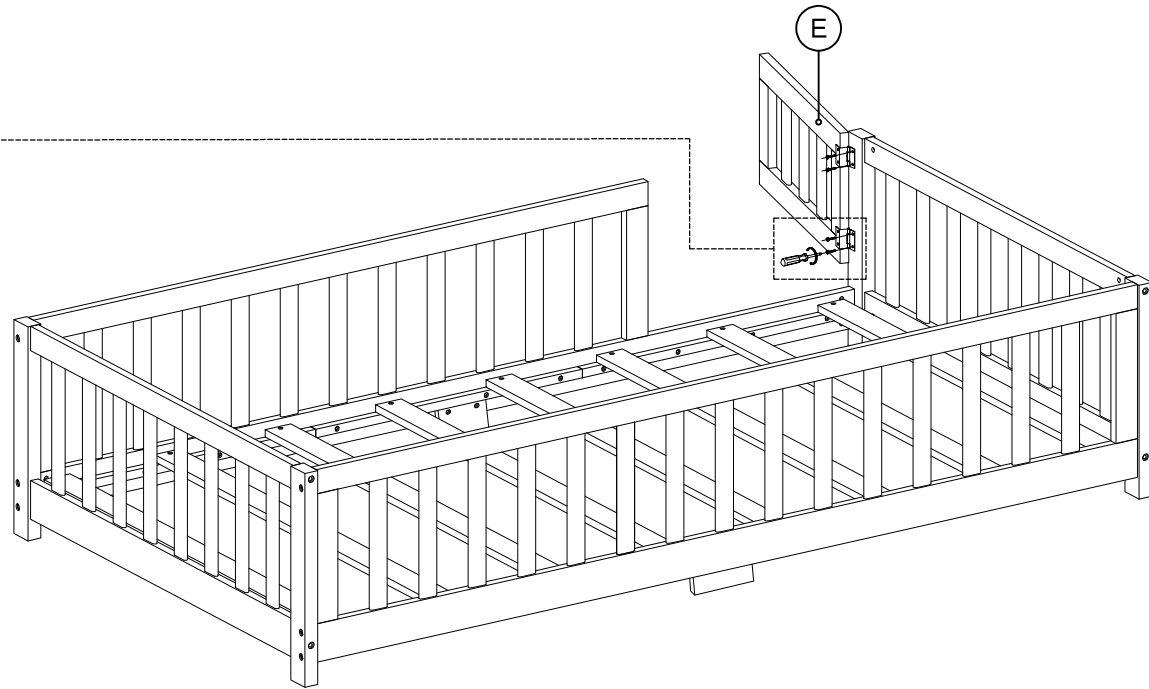
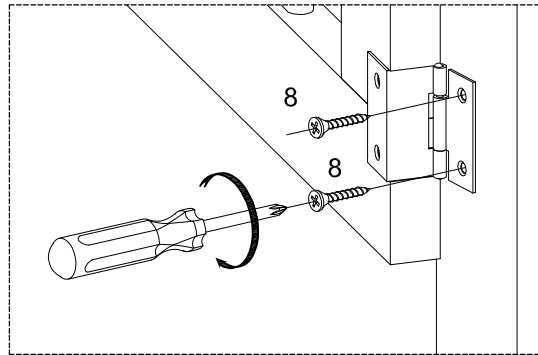


6



WOOD SCREW (16PCS)
Ø4 x 25 mm

STEP 6

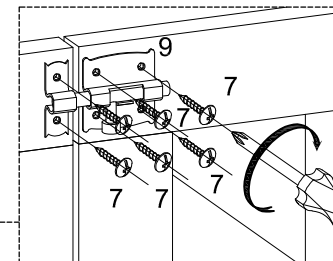
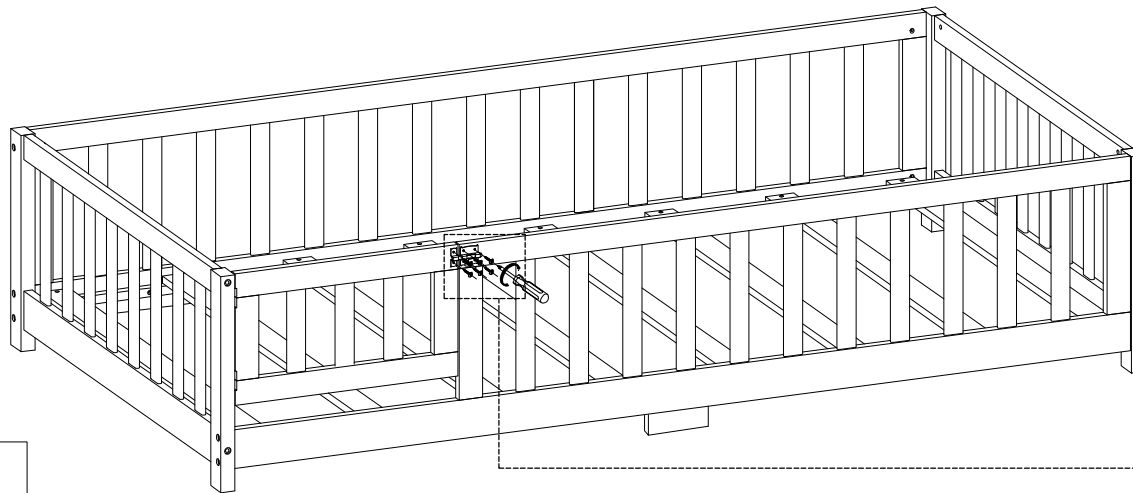


8



WOOD SCREW (4PCS)
Ø3.5 x 15 mm

STEP 7

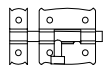


7



WOOD SCREW (6PCS)
Ø3.5 x 12 mm

9



LATCH (1PC)
20 x 38 x 38 mm