
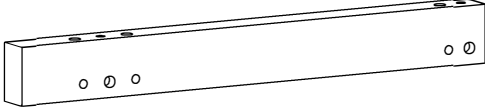
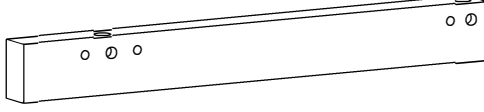
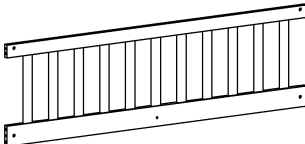
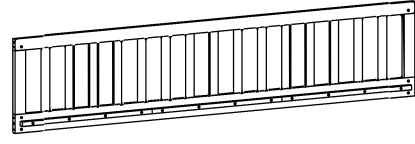
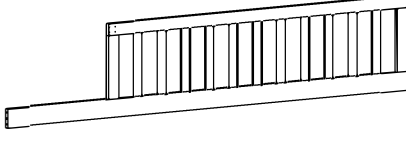
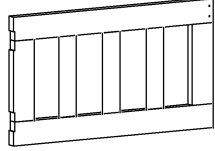

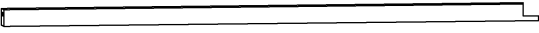
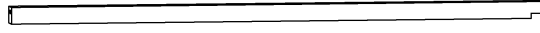
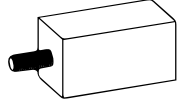
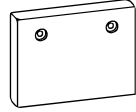


IMPORTANT NOTE

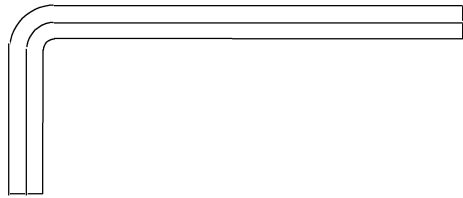
1. PLACE ALL PARTS ON A CLEAN AND SMOOTH SURFACE SUCH AS A RUG OR CARPET TO AVOID THE PARTS FROM BEING SCRATCHED
2. BEFORE YOU BEGIN, KINDLY FOLLOW THE ASSEMBLY INSTRUCTIONS STEP BY STEP
3. DO NOT TIGHTEN ALL SCREWS AND BOLTS UNTIL THE BED IS FULLY SET-UP

PART LIST

<p>A1</p>  <p>FRONT LEG LEFT (1PC)</p>	<p>A2</p>  <p>BACK LEG (2PCS)</p>	<p>A3</p>  <p>BACK LEG RIGHT (1PCS)</p>
<p>B</p>  <p>FOOT FRAME (2PCS)</p>	<p>C</p>  <p>BACK FRAME (1PC)</p>	<p>D</p>  <p>FRONT FRAME (1PC)</p>
<p>E</p>  <p>DOOR (1PC)</p>	<p>F</p>  <p>SLATS (8PCS)</p>	<p>G1</p>  <p>SUPPORT SLATS (1PC)</p>
<p>G2</p>  <p>SUPPORT SLATS (1PC)</p>	<p>H</p>  <p>SUPPORT LEG (1PC)</p>	<p>I</p>  <p>SUPPORT FRAME (2PCS)</p>

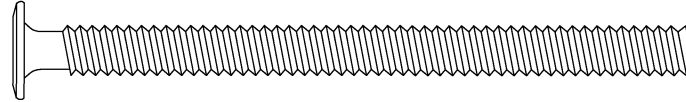
HARDWARE LIST

1



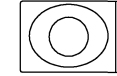
ALLEN KEY (1PC)
K4 x 60 mm

2



HEX HEAD BLOT (8PCS)
1/4 x 90 mm

3



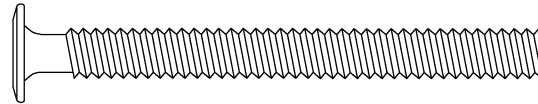
BARREL NUT (19PCS)
1/4 x Ø10 x 13 mm

4



WOOD DOWEL (19PCS)
Ø10 x 30 mm

5



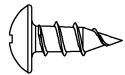
HEX HEAD BLOT (11PCS)
1/4 x 70 mm

6



WOOD SCREW (20PCS)
Ø4 x 25 mm

7



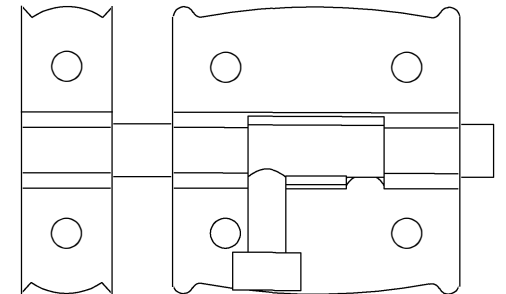
WOOD SCREW (6PCS)
Ø3.5 x 12 mm

8



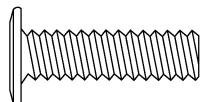
WOOD SCREW (4PCS)
Ø3.5 x 15 mm

9



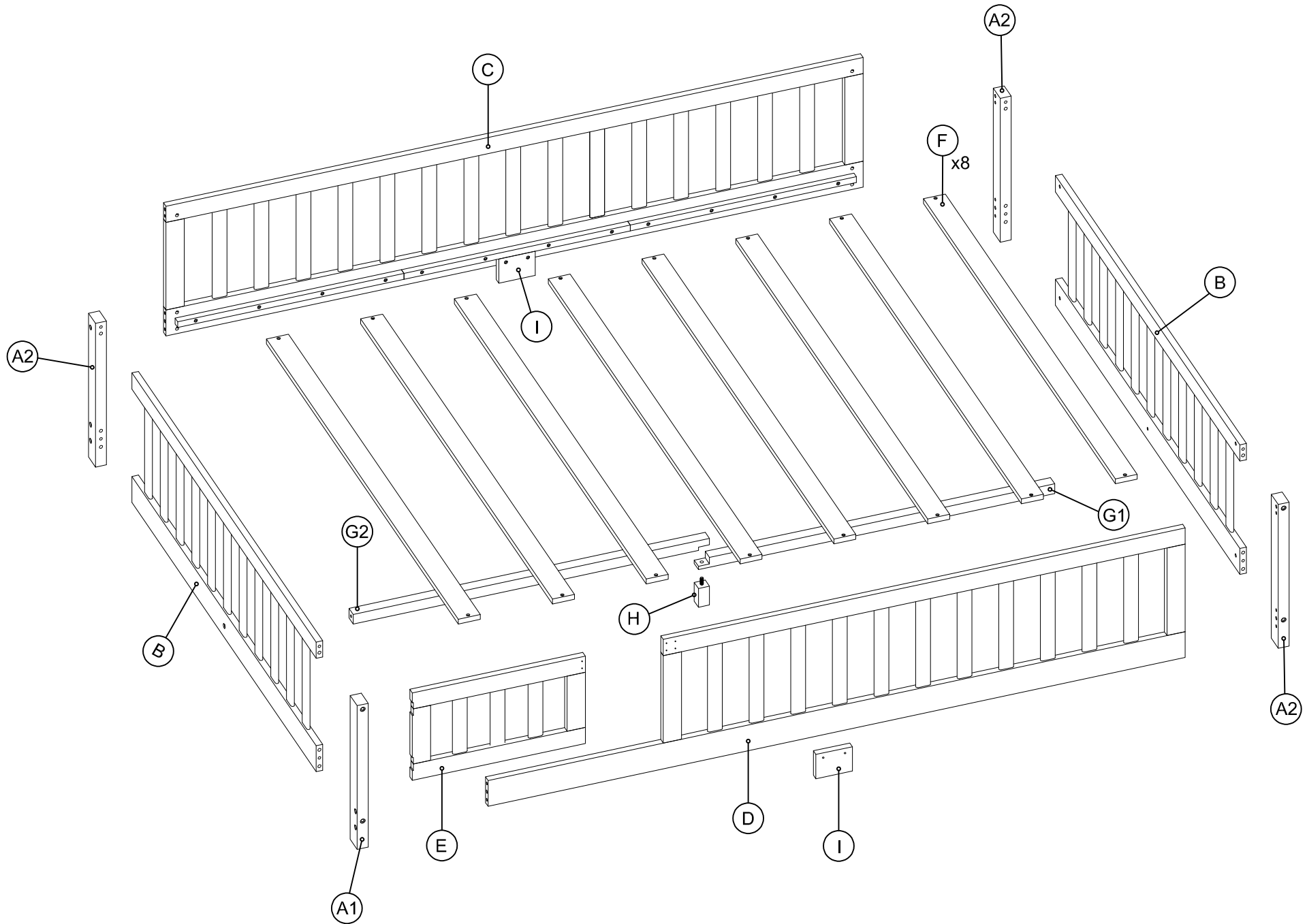
LATCH (1PC)
20 x 38 x 38 mm

10

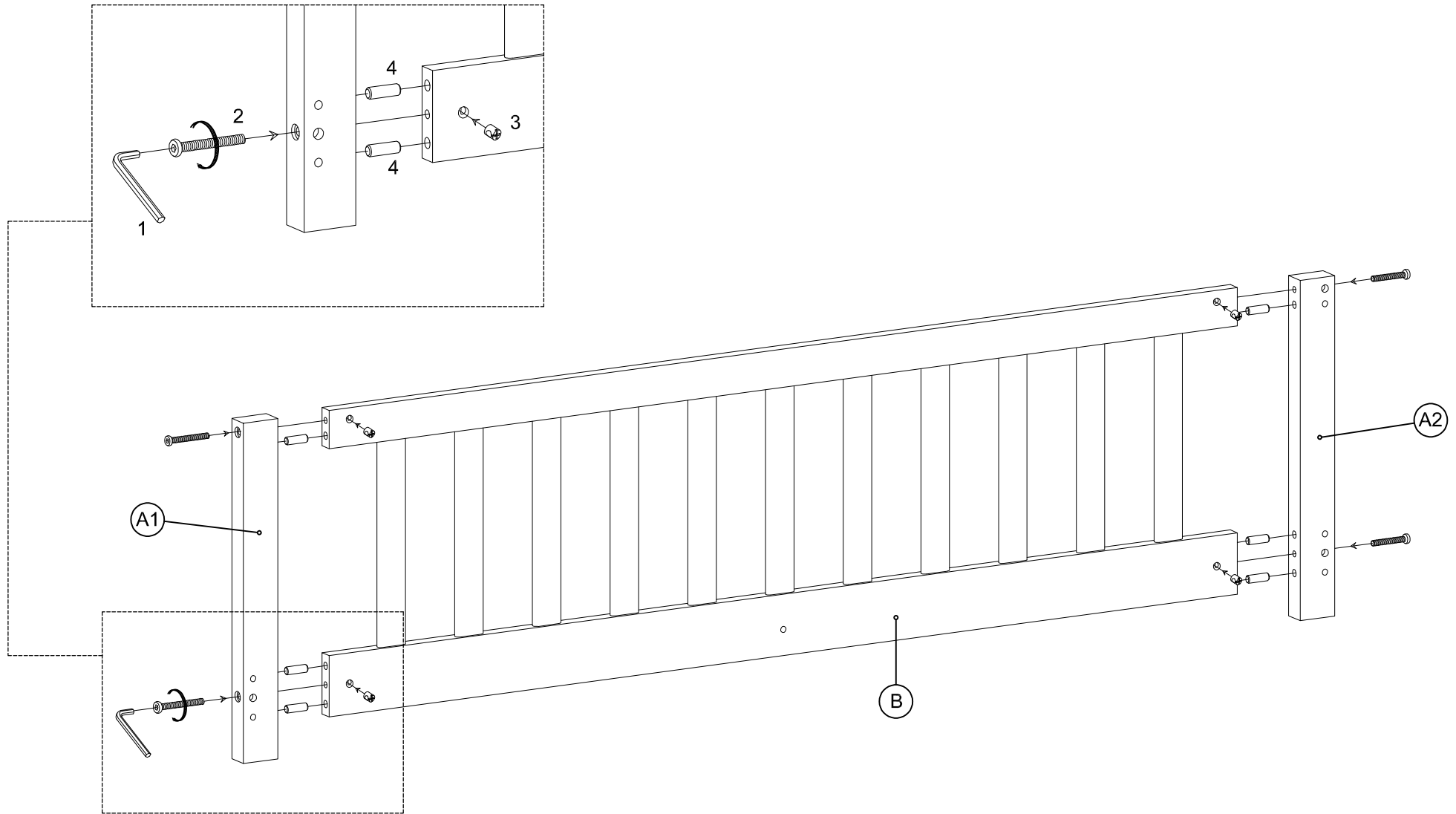



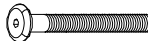

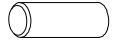
HEX HEAD BLOT (2PCS)
1/4 x 25 mm

ASSEMBLY INSTRUCTION

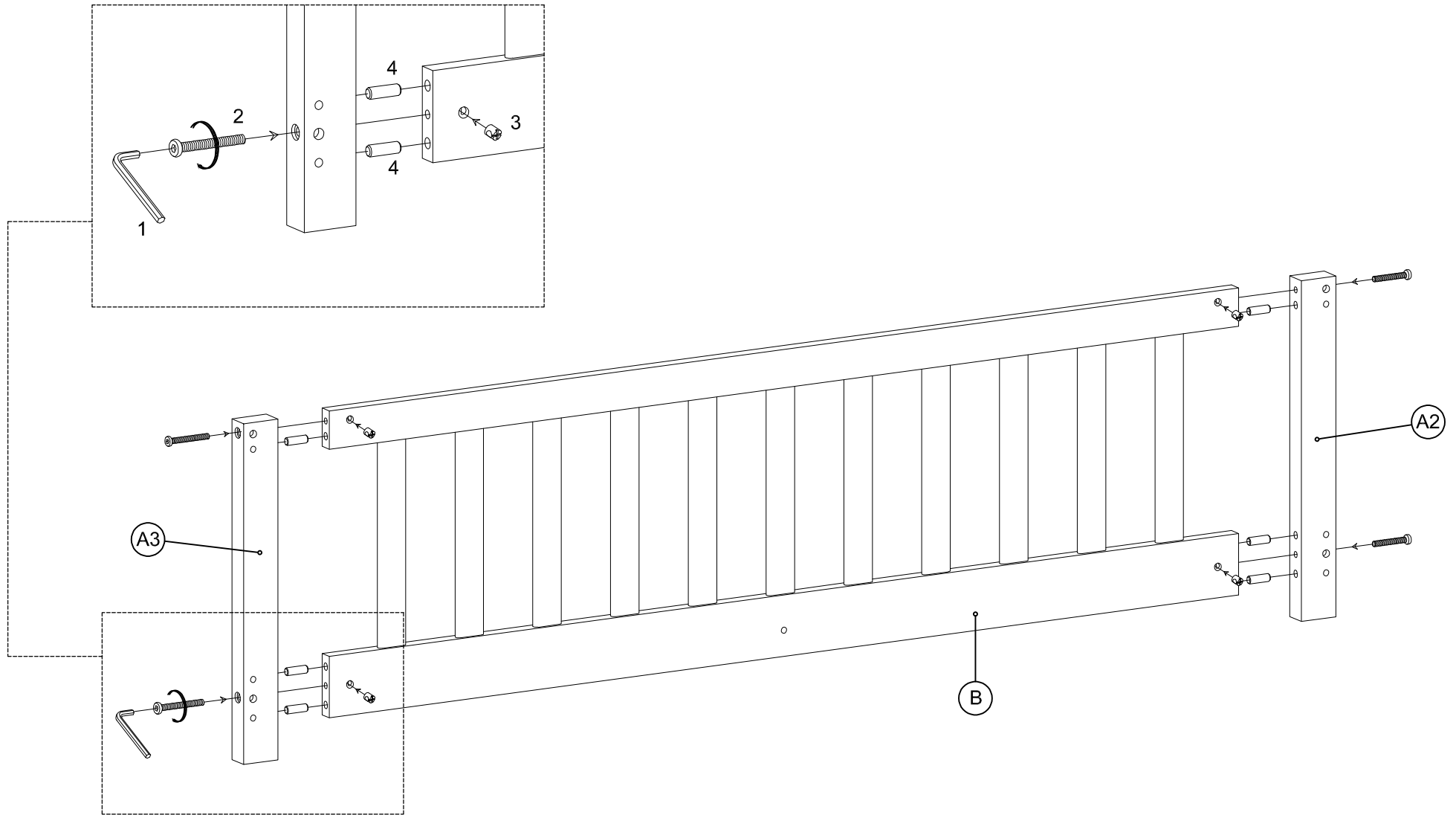



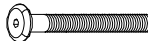

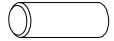
STEP 1



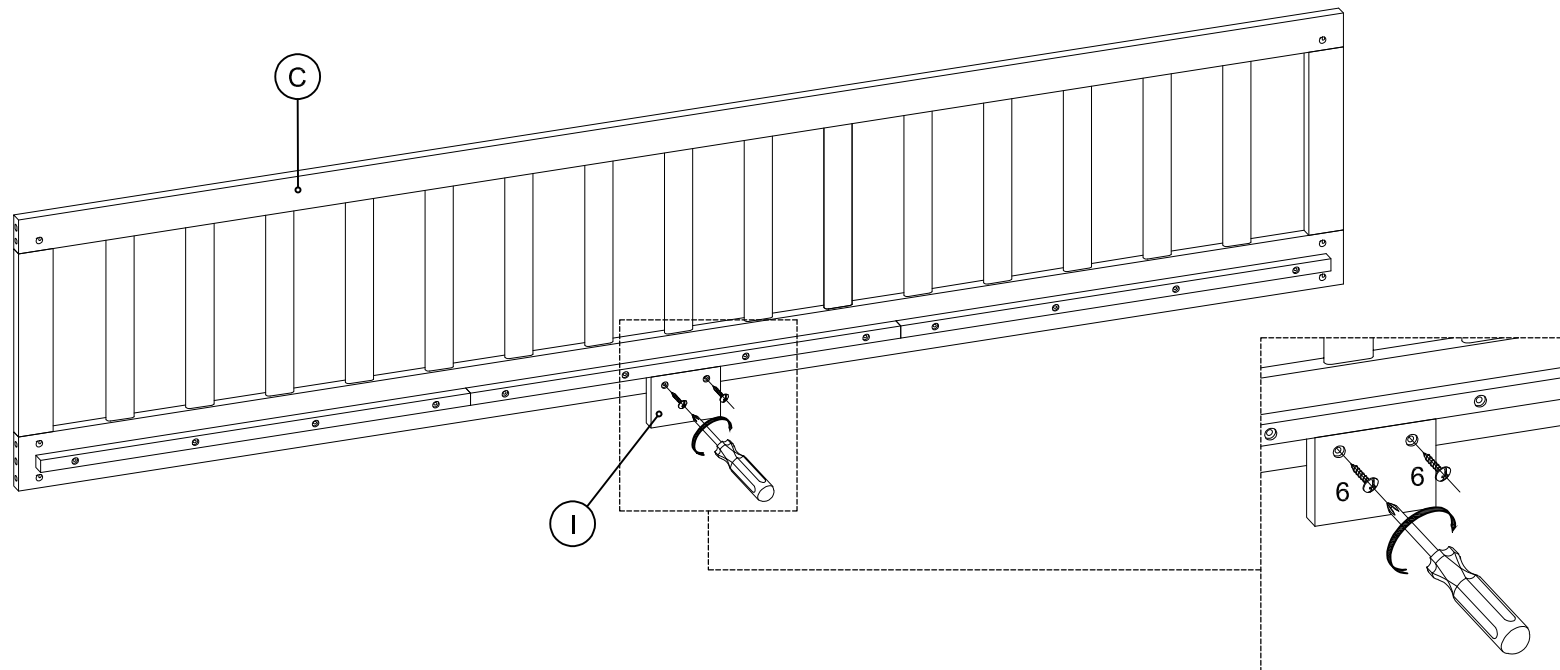
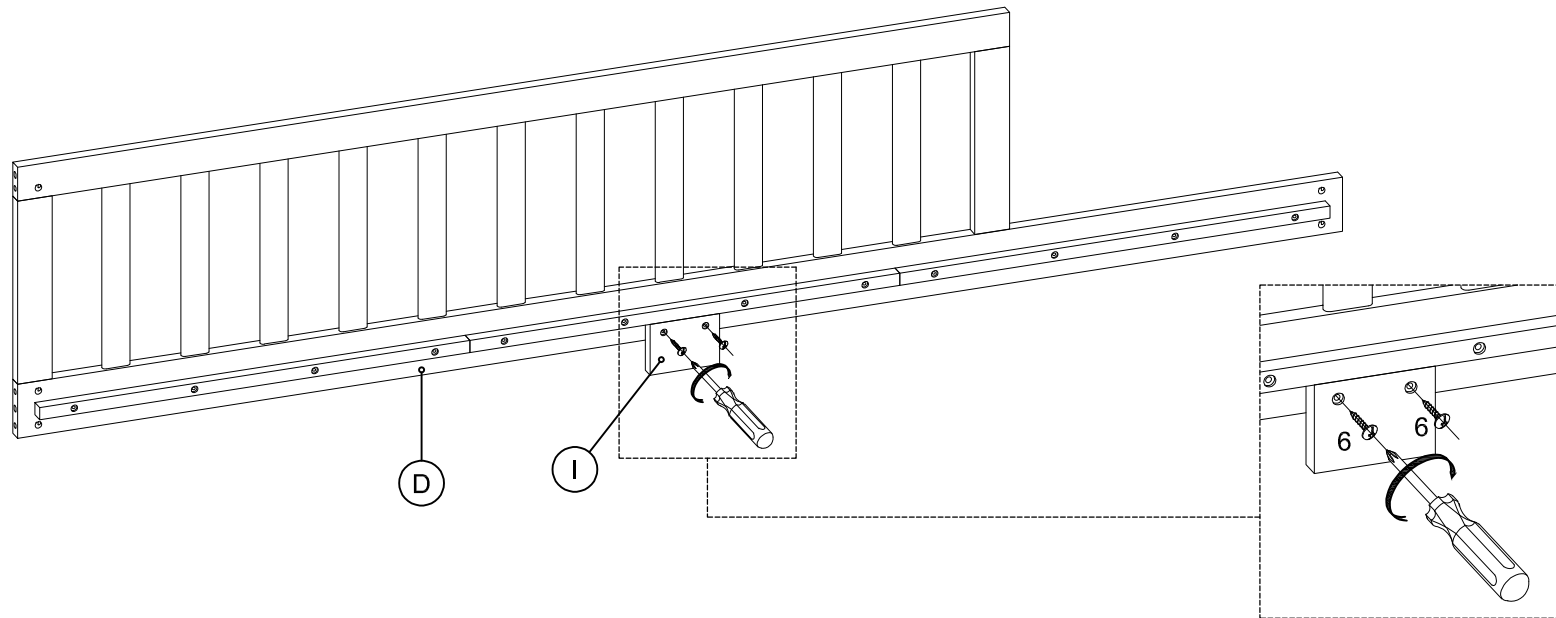
1 	2 	3 	4 
ALLEN KEY (1PC) K4 x 60 mm	HEX HEAD BOLT (4PCS) 1/4 x 90 mm	BARREL NUT (4PCS) 1/4 x Ø10 x 13 mm	WOOD DOWEL (6PCS) Ø10 x 30 mm

STEP 2



1	 ALLEN KEY (1PC) K4 x 60 mm	2	 HEX HEAD BOLT (4PCS) 1/4 x 90 mm	3	 BARREL NUT (4PCS) 1/4 x Ø10 x 13 mm	4	 WOOD DOWEL (6PCS) Ø10 x 30 mm
---	---	---	--	---	---	---	---

STEP 3

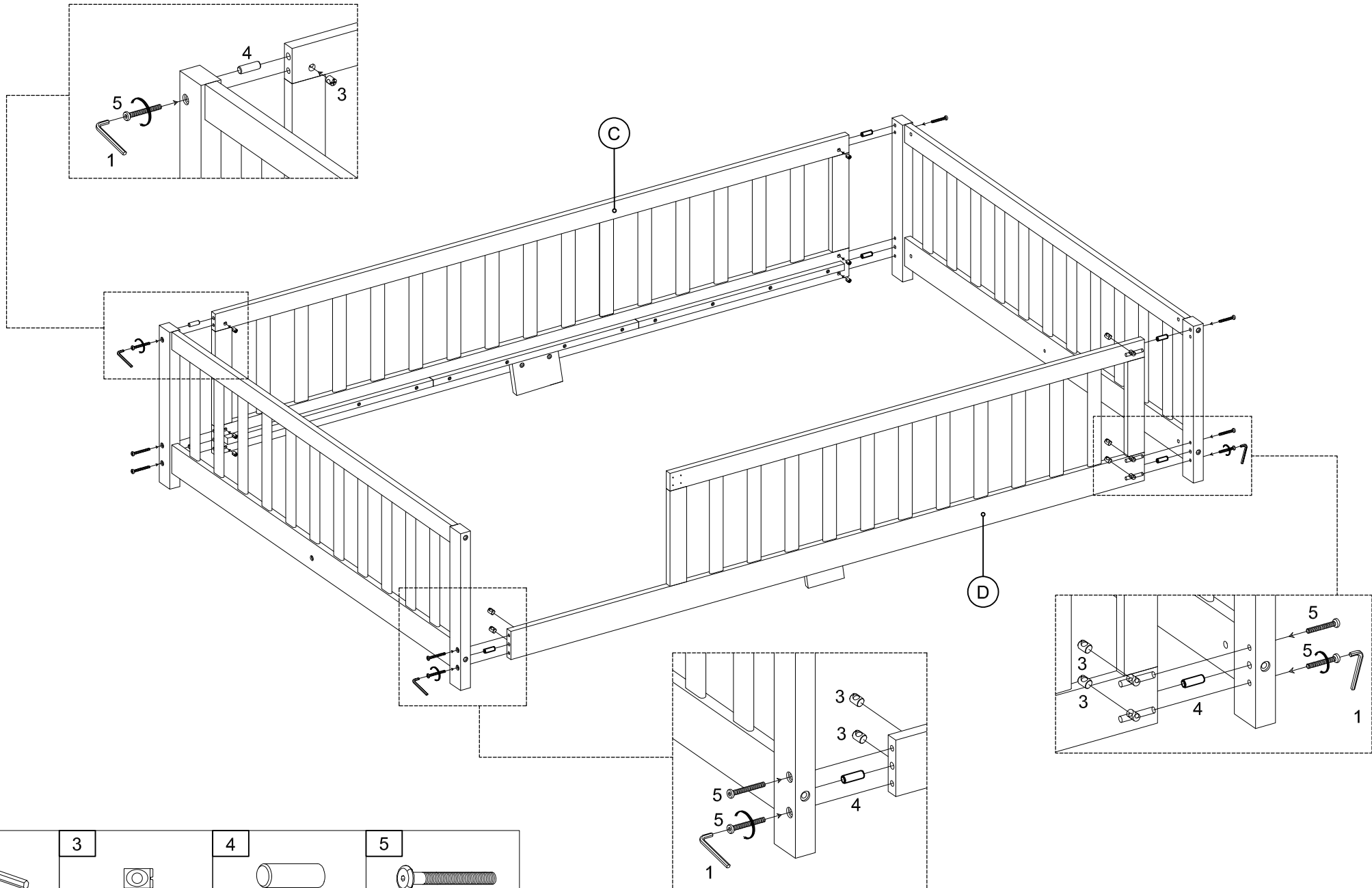




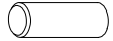

6



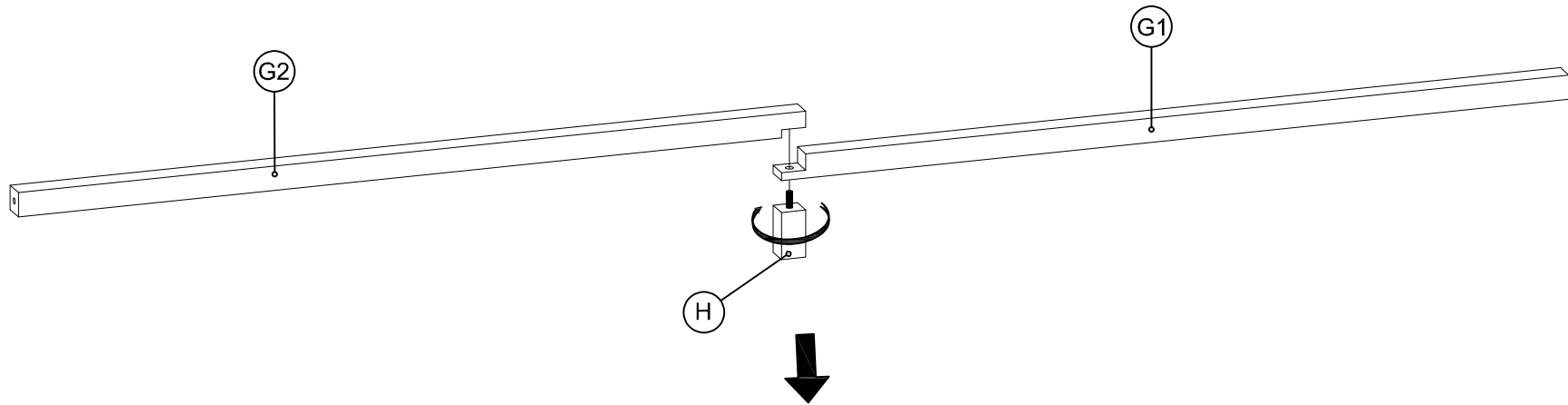
WOOD SCREW (4PCS)
Ø4 x 25 mm

STEP 4

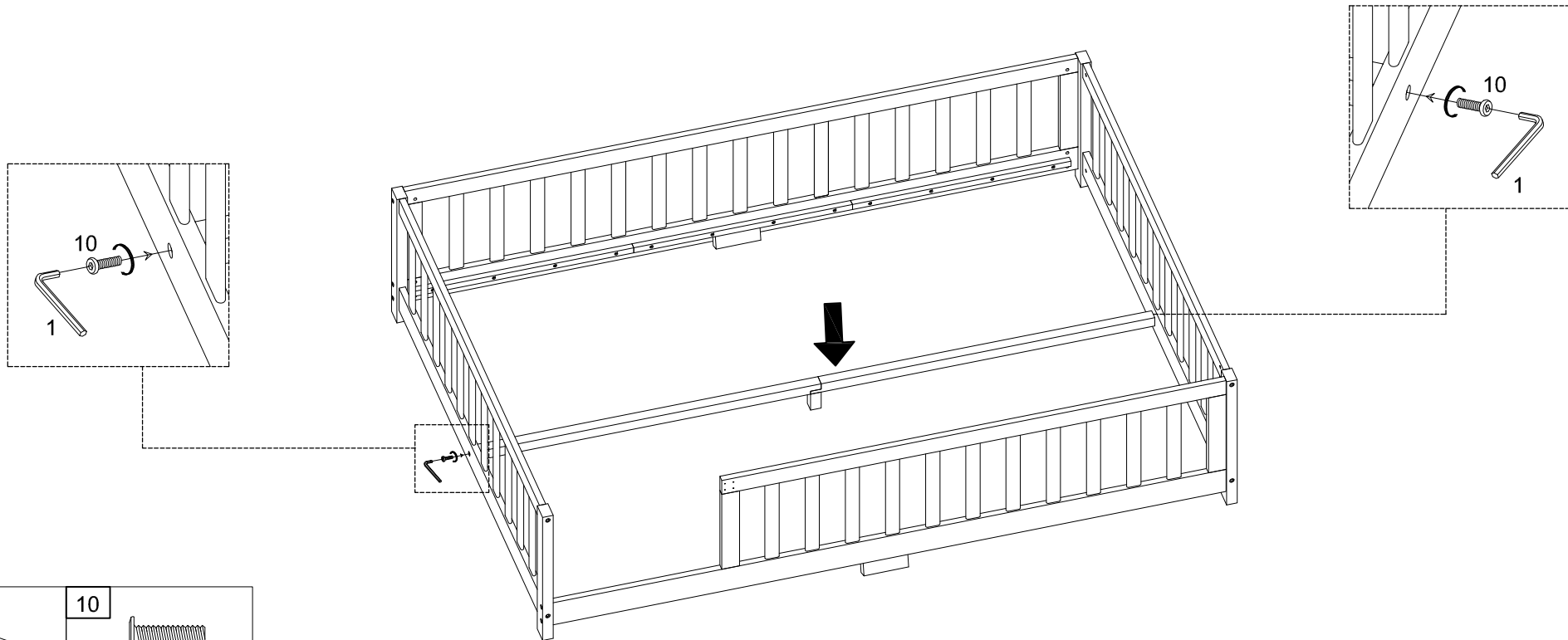



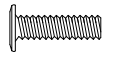
<p>1</p>  <p>ALLEN KEY (1PC) K4 x 60 mm</p>	<p>3</p>  <p>BARREL NUT (11PCS) 1/4 x Ø10 x 13 mm</p>	<p>4</p>  <p>WOOD DOWEL (6PCS) Ø10 x 30 mm</p>	<p>5</p>  <p>HEX HEAD BOLT (11PCS) 1/4 x 70 mm</p>
---	--	---	---

STEP 5

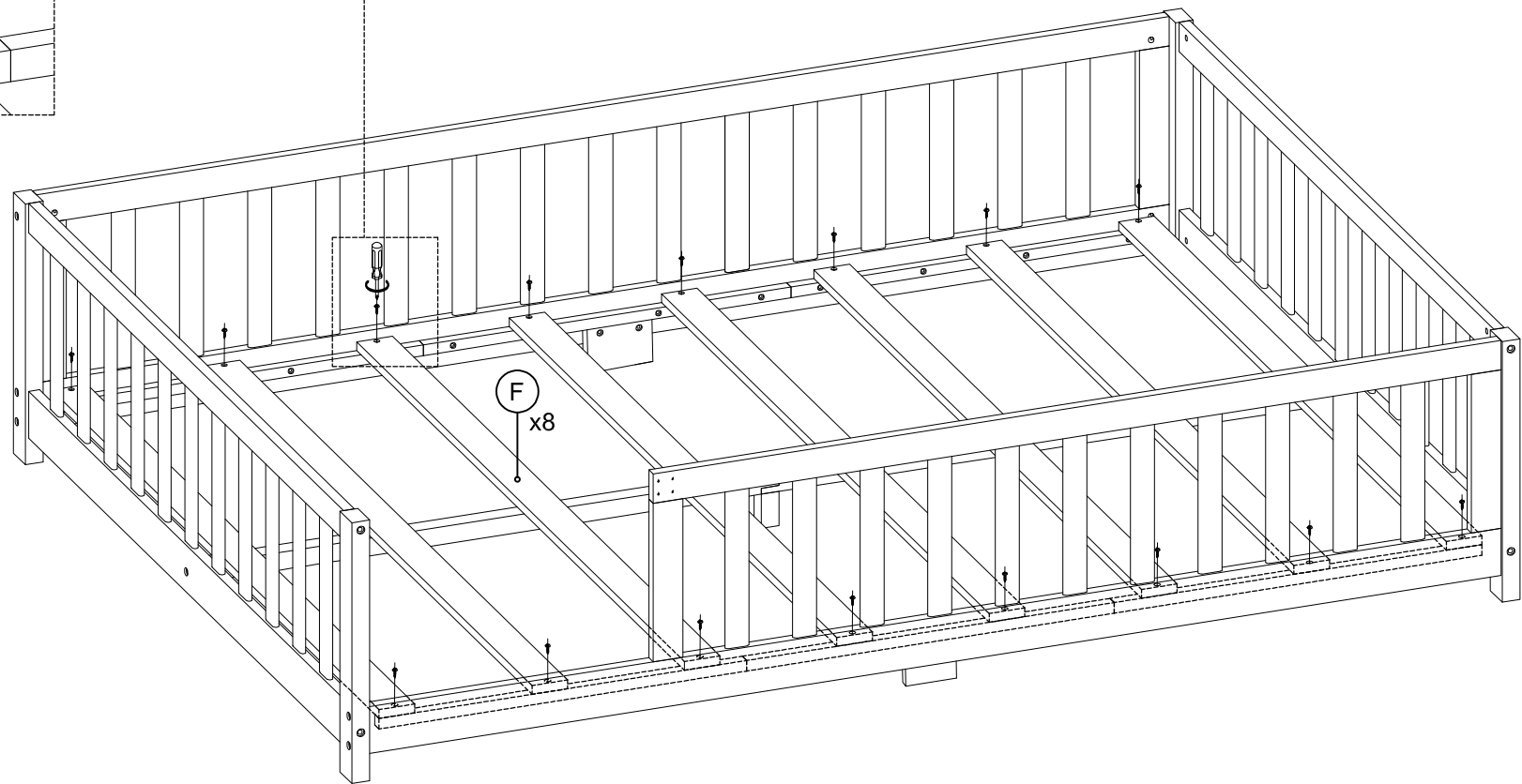
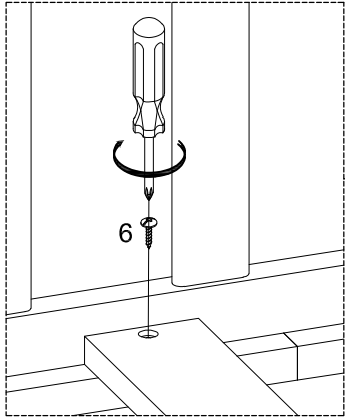


STEP 6

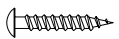


<p>1</p>  <p>ALLEN KEY (1PC) K4 x 60 mm</p>	<p>10</p>  <p>HEX HEAD BOLT (2PCS) 1/4 x 25 mm</p>
--	--

STEP 7

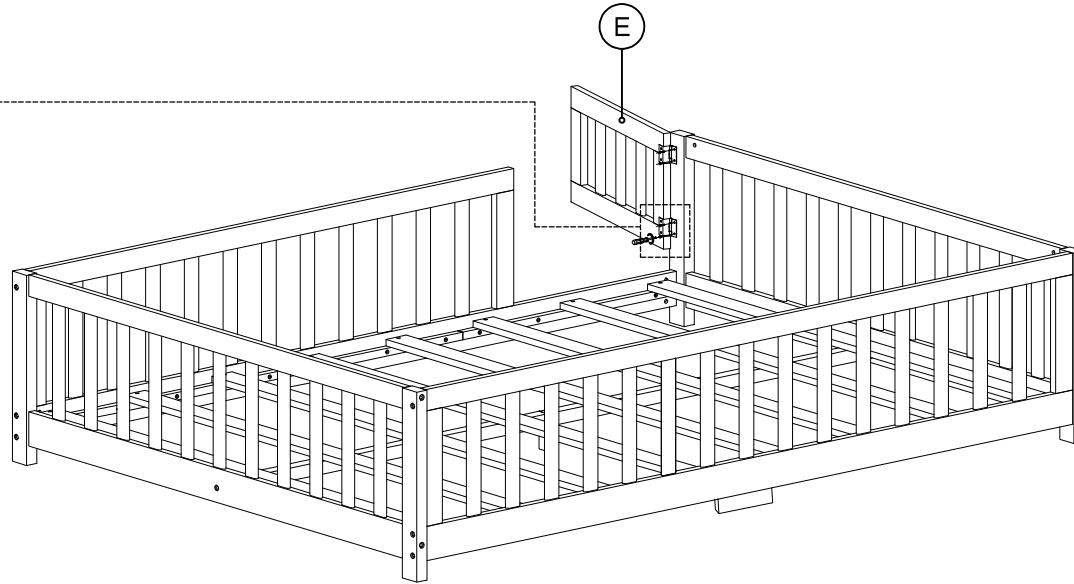
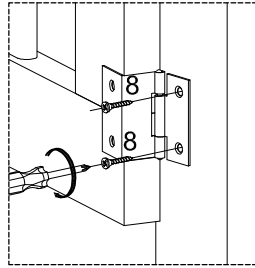


6



WOOD SCREW (16PCS)
Ø4 x 25 mm

STEP 8

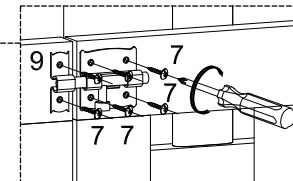
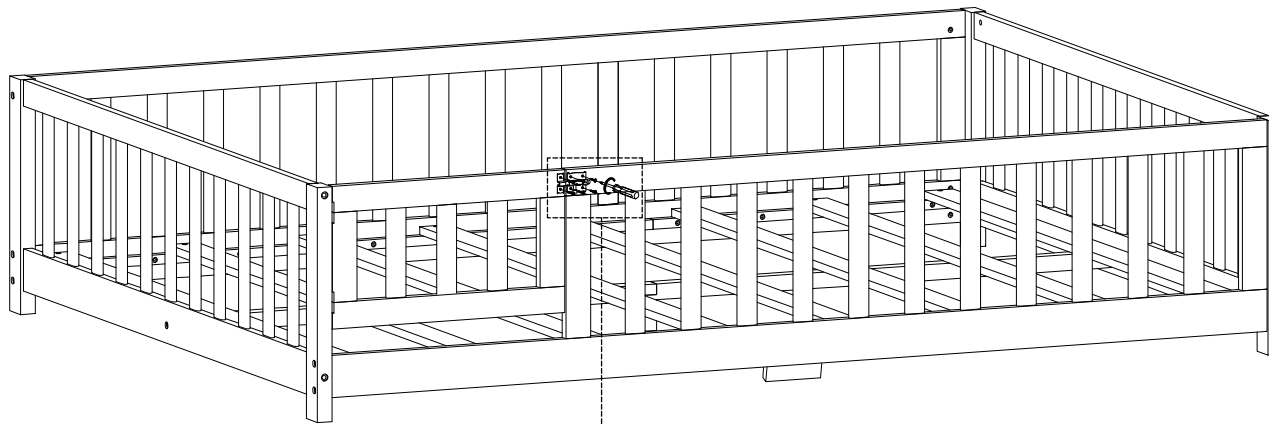


8



WOOD SCREW (4PCS)
Ø3.5 x 15 mm

STEP 9

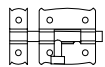


7



WOOD SCREW (6PCS)
Ø3.5 x 12 mm

9



LATCH (1PC)
20 x 38 x 38 mm